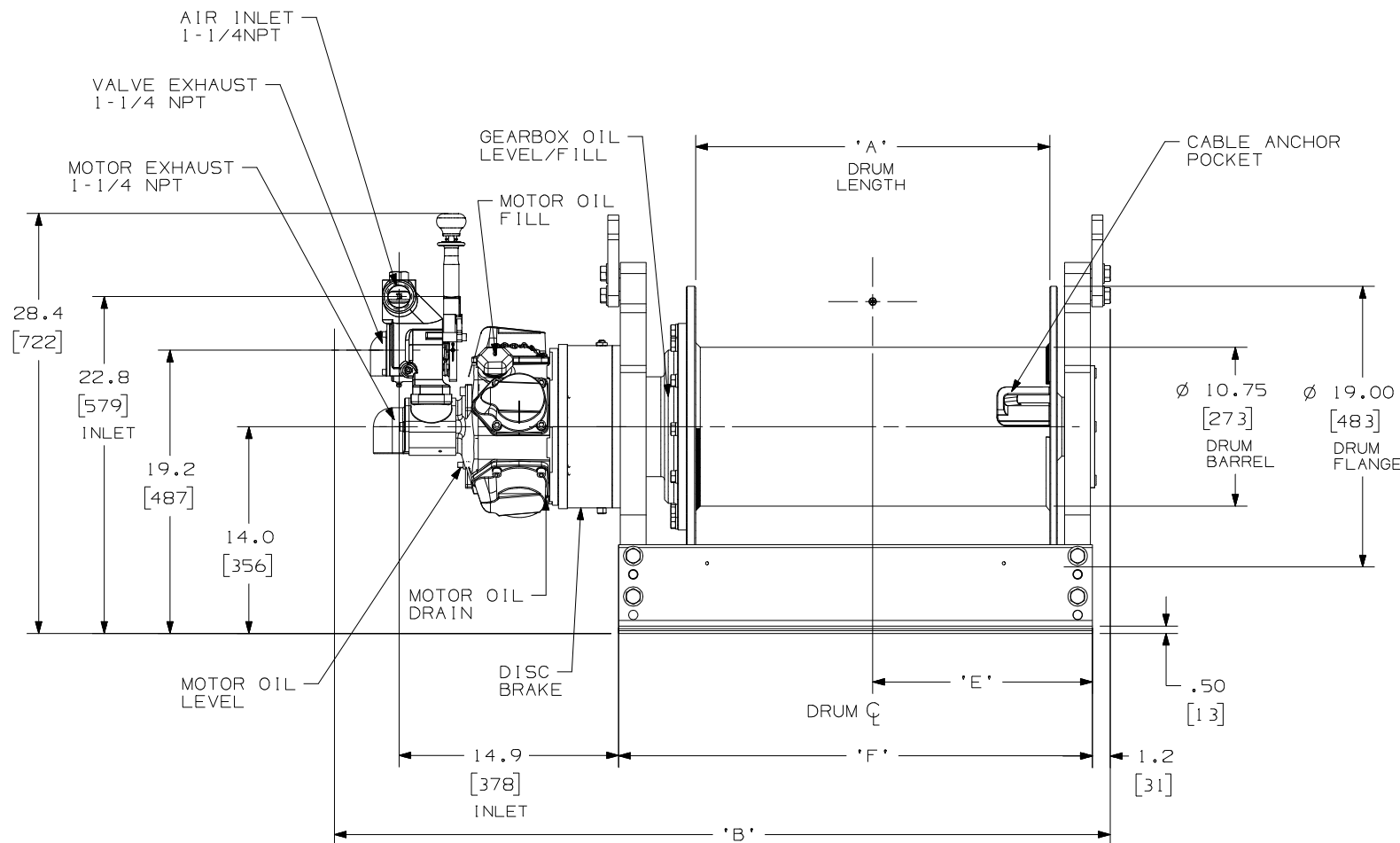
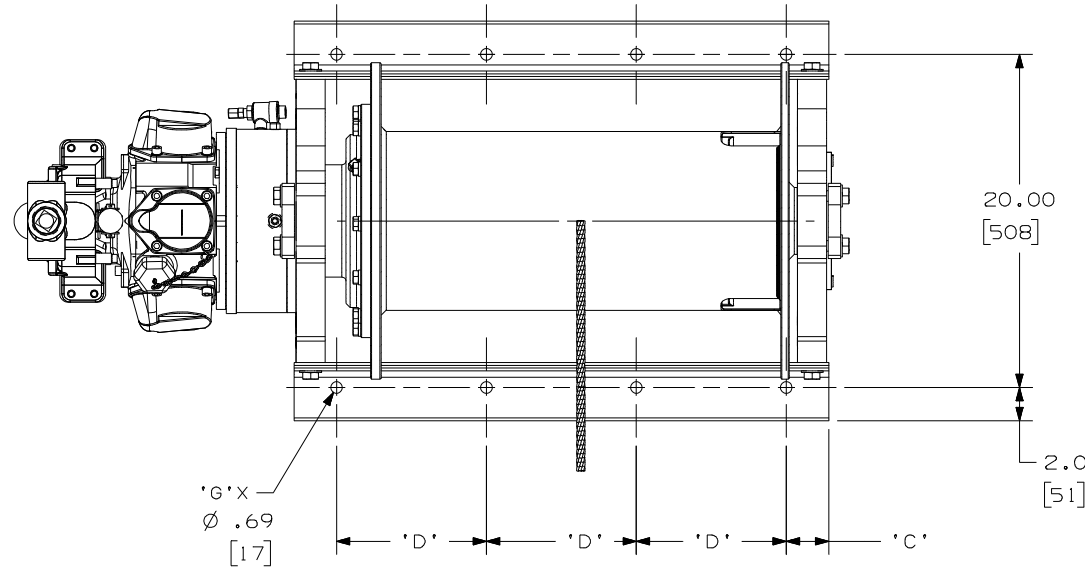
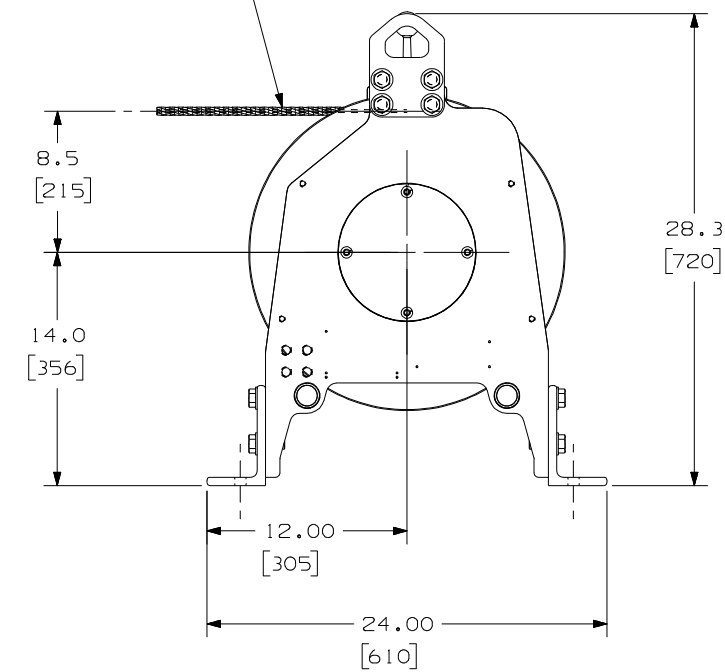


REVISIONS				
ZONE	LTR	DESCRIPTION	DATE	APPROVED
-		INITIAL RELEASE PER SE009010		



OVERWOUND HORIZONTAL  
CABLE TAKE-OFF TOP LAYER  
Ø 1/2" WIRE ROPE



DWG NO. 382-35920

SHEET 1

A

MODEL	DIM 'A'	DIM 'B'	DIM 'C'	DIM 'D'	DIM 'E'	DIM 'F'	QTY 'G'
FA2i-12XK1	12 [305]	40.6 [1030]	2.56 [65]	7.50 [191]	8.89 [226]	20.11 [511]	6
FA2i-16XK1	16 [406]	44.6 [1132]	2.68 [68]	6.25 [159]	10.89 [277]	24.11 [612]	8
FA2i-20XK1	20 [508]	48.6 [1234]	2.43 [62]	7.75 [197]	12.89 [327]	28.11 [714]	8
FA2i-24XK1	24 [610]	52.6 [1335]	2.56 [65]	9.00 [229]	14.89 [378]	32.11 [816]	8

1. DIMENSIONS SHOWN ARE INCHES:  
DIMENSIONS IN BRACKETS [ ] ARE mm.
2. RATED LINE PULL-  
4,400 lbs [2,000 kg] ±TOP LAYER
3. RATED LINE SPEED-  
51 fpm [16 m/min] ± TOP LAYER
4. INLET PRESSURE-  
90 psi [6.3 bar] RUNNING
5. AVERAGE AIR CONSUMPTION-  
280 scfm [7.9 m3/min]

ITEM	QTY	SIZE	PART NO	DESCRIPTION
<p>THE DOCUMENT CONTAINS CONFIDENTIAL AND TRADE SECRET INFORMATION, IS THE PROPERTY OF INGERSOLL-RAND COMPANY, AND IS LOANED TO THE RECEIVER IN CONFIDENCE. THE RECEIVER BY ACCEPTANCE AND RETENTION OF THIS DOCUMENT OR ANY COPY THEREOF OR THE CONFIDENTIAL OR TRADE SECRET INFORMATION THEREIN (NOT COPY THE DOCUMENT), IS NOT TO DISCLOSE TO OTHERS EITHER THE DOCUMENT OR THE CONFIDENTIAL OR TRADE SECRET INFORMATION THEREIN, AND IS UNDER OBLIGATION OF THE NEED TO RETURN THE DOCUMENT, OR UPON DEMAND, RETURN THE DOCUMENT, ALL COPIES THEREOF, AND ALL MATERIAL COPIED THEREFROM.</p> <p>WARNING: The export or reexport of this drawing or a product produced by this drawing is subject to U. S. Export Administration Regulations and other applicable governmental restrictions or regulations.</p> <p>Copyright © 2010 Ingersoll-Rand Company All Rights Reserved</p> <p><b>IR Ingersoll-Rand.</b> Ingersoll-Rand Company Tool &amp; Hoist Division Seattle, WA, U.S.A.</p> <p>TITLE: <b>WINCH, AIR OUTLINE/DIMENSIONAL FA2i-XXK1</b></p> <p>SIZE: <b>C</b> PART NO.: <b>382-35920</b> REV: <b>-</b></p> <p>SCALE: <b>1:8</b> SHEET: <b>1</b> OF <b>1</b></p>				

4

3

2

1