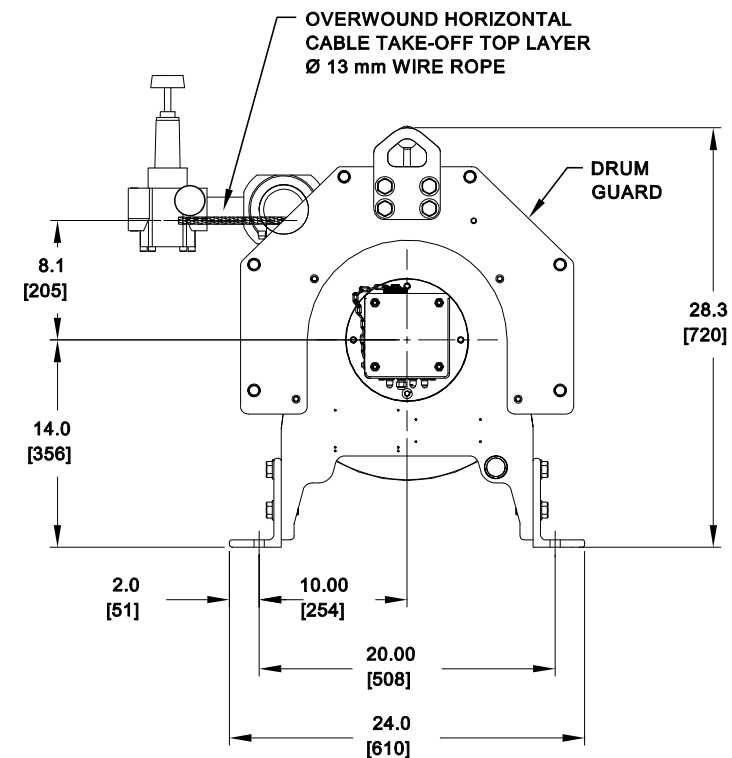
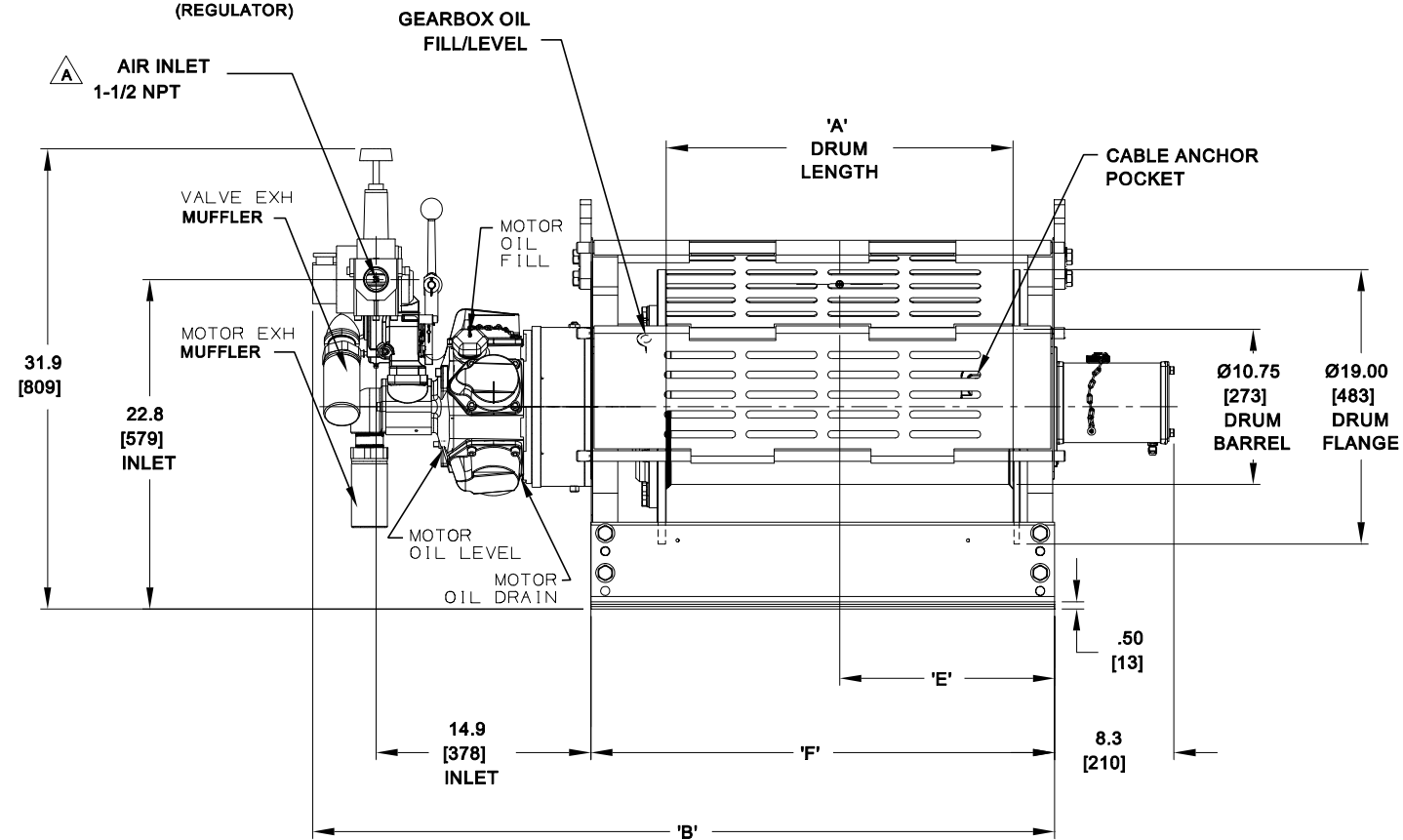
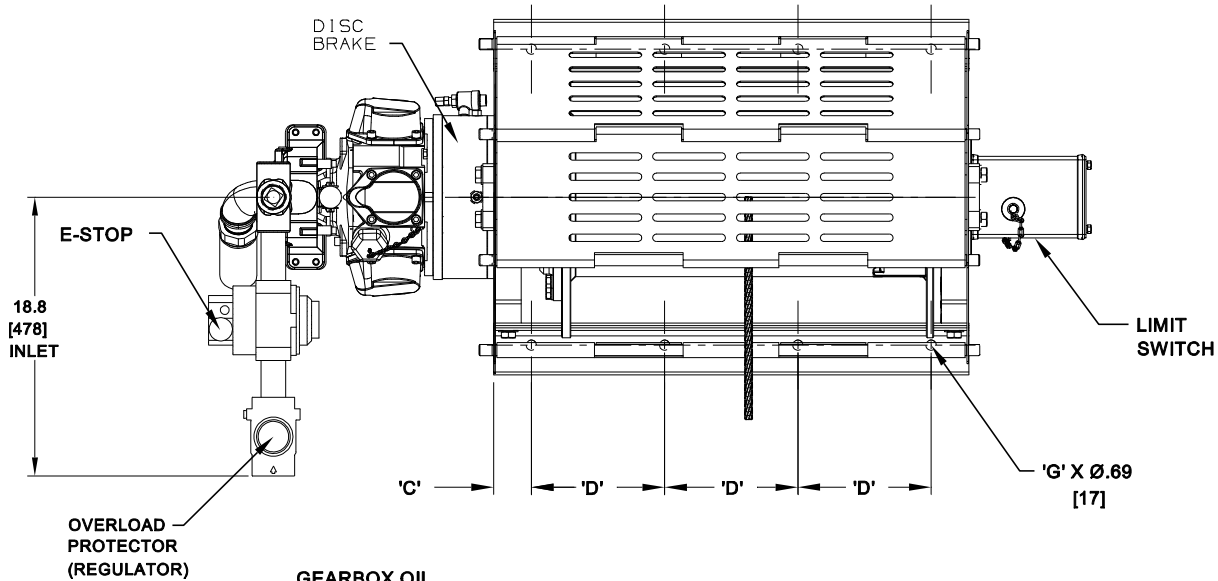


REVISIONS				
ZONE	LTR	DESCRIPTION	DATE	APPROVED
	A	REV AIR INLET. SE009719	10/27/11	WEO <i>WD</i>



MODEL	DIM 'A'	DIM 'B'	DIM 'C'	DIM 'D'	DIM 'E'	DIM 'F'	QTY 'G'
FA2i-12XK1-CE	12.00 [305]	39.4 [1001]	2.56 [65]	7.50 [191]	8.9 [226]	20.11 [511]	6
FA2i-16XK1-CE	16.00 [406]	43.4 [1102]	2.68 [68]	6.25 [159]	10.9 [277]	24.11 [612]	8
FA2i-20XK1-CE	20.00 [508]	47.4 [1204]	2.43 [62]	7.75 [197]	12.9 [327]	28.11 [714]	8
FA2i-24XK1-CE	24.00 [610]	51.4 [1306]	2.56 [65]	9.00 [229]	14.9 [378]	32.11 [816]	8

NOTE:
 1. DIMENSIONS SHOWN ARE IN INCHES
 DIMENSIONS IN BRACKETS [] ARE mm.

PERFORMANCE SPECIFICATIONS:
 RATED LINE PULL - 4400 lbs [2000 kg] ± TOP LAYER
 RATED LINE SPEED - 51 fpm [16 m/min] ± TOP LAYER
 INLET PRESSURE - 90 psi [6.3 bar] RUNNING
 AVG AIR CONSUMPTION - 280 scfm [7.9 m3/min]

ITEM	QTY	SIZE	PART NO	DESCRIPTION
<small>THIS DOCUMENT CONTAINS CONFIDENTIAL AND TRADE SECRET INFORMATION IN THE PROPERTY OF INGERSOLL-RAND COMPANY, AND IS LOANED TO THE RECIPIENT IN CONFIDENCE. THE RECIPIENT BY ACCEPTANCE AND RETENTION OF THIS DOCUMENT ACCEPTS THE DOCUMENT IN CONFIDENCE AND AGREES THAT, EXCEPT AS AUTHORIZED BY WRITING BY INGERSOLL-RAND COMPANY, IT WILL NOT USE THE DOCUMENT OR ANY COPY THEREOF OR THE CONFIDENTIAL OR TRADE SECRET INFORMATION THEREIN (S) NOT COPY OR REPRODUCE THE DOCUMENT, OR TRADE SECRET INFORMATION THEREIN, OR DISCLOSE THE CONTENTS OF THE SAME TO ANY OTHER PERSON, OR UPON DEMAND, RETURN THE DOCUMENT, ALL COPIES THEREOF, AND ALL MATERIAL DERIVED THEREFROM.</small>				
<small>UNLESS OTHERWISE SPECIFIED TOLERANCES ON DIMENSIONS ARE DECIMALS: 2 PLACES: .005 ± .02 3 PLACES: .000 ± .005 ANGLES: ± 0.5° BREAK EDGES .010 SURF 128 ✓</small>				
<small>THIRD ANGLE PROJECTION DRAWN DATE 05/20/09 CHECKED APPROVED ENG APPL WEO 07/28/2009</small>			<small>WARNING: The export or reexport of this drawing or a product produced by this drawing is subject to U. S. Export Administration Regulations and other applicable governmental restrictions or regulations. Copyright © 2011 Ingersoll-Rand Company All Rights Reserved IR Ingersoll-Rand. Ingersoll-Rand Company Tool & Hoist Division Seattle, WA, U.S.A.</small>	
TITLE WINCH, AIR OUTLINE / DIMENSIONAL FA2i-XXK1-CE				REV A
SIZE PART NO. C			DWG NO. 382-35216	
SCALE: 1:8			SHEET 1 OF 1	

DWG NO. 382-35216 SH. 1