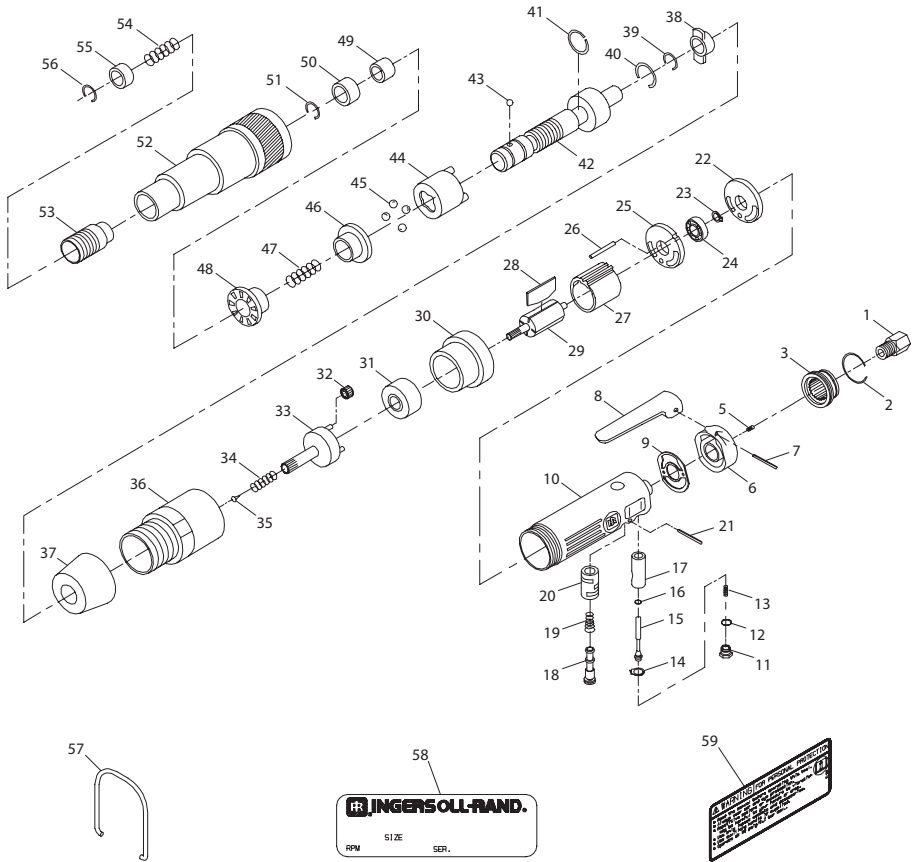


# LA413 Screwdriver - Exploded View



(Dwg. TPB937-1)



03539160  
Edition 6  
October 2013

**LA413 Screwdriver - Parts List**

Item	Part Description	Part Number	Item	Part Description	Part Number
1	Inlet Bushing	LA413-565	31	Rotor Bearing	LA413-30
2	Stop Ring	LA413-103	32	Planet Gear (set of 3)	LA413-10
3	Deflector	LA413-23	33	Gear Frame	LA413-191
5	Screw (set of 2)	LA413-2	34	Spring	LA413-70
6	Cap	LA413-4	35	Guide	LA413-71
7	Lever Pin	LA413-74	36	Gear Case	LA413-37
8	Throttle Lever	LA413-273	37	Bearing	LA413-73
9	Gasket	LA413-6	38	Clutch Jaw	LA413-144
10	Housing	LA413-40	39	Retaining Ring	LA413-75
11	Screw	LA413-8	40	Retaining Ring	LA413-76
12	O-Ring	LA413-9	41	Wiper	LA413-77
13	Spring	LA413-51	42	Cam Spindle	LA413-78
14	Valve Retainer	LA413-823	43	Retaining Ball	LA413-79
15	Throttle Valve	LA413-667	44	Clutch Carrier	LA413-80
16	O-Ring	LA413-15	45	Steel Ball (set of 4)	LA413-81
17	Bushing	LA413-503	46	Washer	LA413-82
18	Reverse Valve	LA413-329	47	Spring	LA413-83
19	Spring	LA413-515	48	Washer	LA413-84
20	Bushing	LA413-330	49	Adjusting Nut	LA413-85
21	Spring Pin	LA413-16	50	Bearing	LA413-86
22	Gasket	LA413-17	51	Retaining Ring	LA413-87
23	Retaining Pin	LA413-18	52	Clutch Housing	LA413-580
24	Rotor Bearing	LA413-19	53	Retaining Sleeve	LA413-930
25	End Plate	LA413-12	54	Spring	LA413-90
26	Dowel Pin	LA413-98	55	Washer	LA413-91
27	Cylinder	LA413-3	56	Retaining Ring	LA413-92
28	Vane Kit (set of 6)	LA413-42-6	57	Hanger	LA413-93
29	Rotor	LA413-53	58	Nameplate	LA413-301
30	Endplate	LA413-11	59	Warning Label	EU-99

**Parts and Maintenance**

When the life of the tool has expired, it is recommended that the tool be disassembled, degreased and parts be separated by material so that they can be recycled.

Tool repair and maintenance should only be carried out by an authorized Service Center.

Refer all communications to the nearest **Ingersoll Rand** Office or Distributor.

**Related Documentation**

For additional information refer to:

Product Safety Information Manual 04585006,

Product Information Manual 80160179.

Manuals can be downloaded from [ingersollrandproducts.com](http://ingersollrandproducts.com).