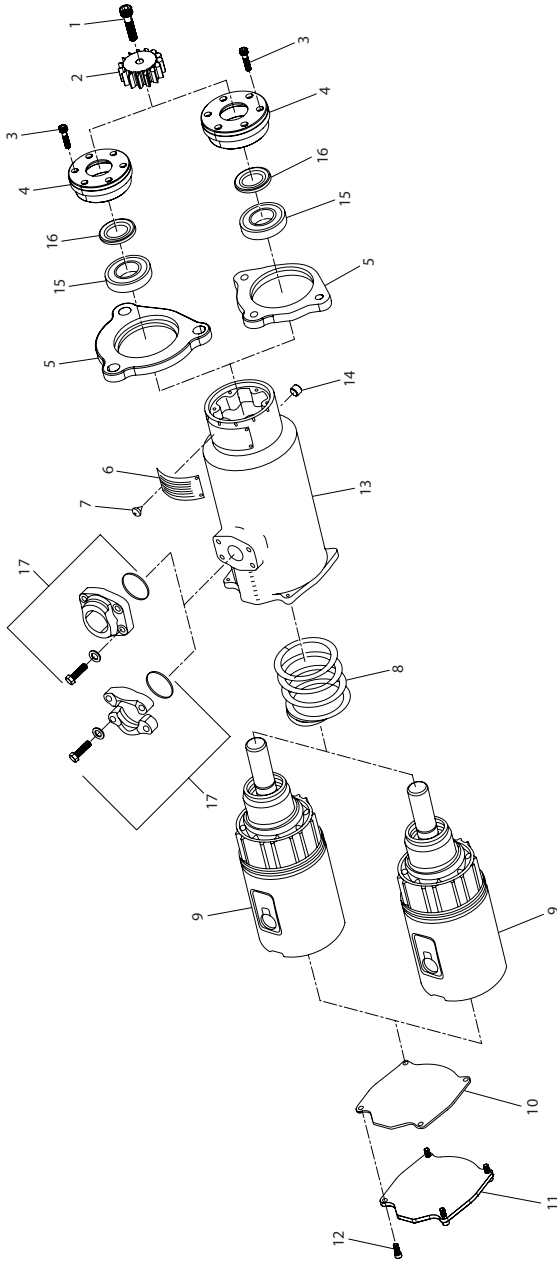


# ST400 Series Turbine Powered Starter - Exploded View



(Dwg. 46810751)



**47616907001**  
Edition 2  
December 2020

## ST400 Series Turbine Powered Starter - Parts List

Item	Part Description	Part Number	Item	Part Description	Part Number
1	Drive Pinion Screw	SS350-394	5	Flange	
2	Drive Pinion			SAE 1 Flange	ST400-300-01
	for ST400C01R15	ST400-13-15		SAE 3 Flange	ST400-300-03
	for ST400C03R21	SS350R-13-21	6	Nameplate	ST400-301
	for ST400C03R29	ST400-13-29	7	Nameplate Tack	ST400-100
	for ST400C03R31	ST40013-31	8	Return Spring	ST400-700
	for ST400C03R071	04335055	9	Liner Assembly	
	for ST400C03R77	ST400-13-77		Standard Arc Right Hand	ST400-A41R
	for ST400C03R79	04595799		Standard Arc Left Hand	ST400-A41L
	for ST400C03R85	ST400-13-85		55 % Arc Right Hand	ST455-A41R
	for ST400C03R91	04595807		55 % Arc Left Hand	ST455-A41L
	for ST400C03R95	04334371		Full Arc Right Hand	ST499-A41R
	for ST400C03R832	04333969		Full Arc Left Hand	ST499-A41L
	for ST400C03R893	4332292	10	Housing Cover Gasket	ST400-283
	for ST400C03R895	SS350-13-895	11	Housing Cover	ST400-562
	for ST400C03L30	ST400-13-32	12	Housing Cover Bolts (4)	ST400-563
	for ST400C03L32	ST400-13-32	13	Housing	04615092
	for ST400C03L92	04334363	14	Vent Plug	ST400-546
for ST400C03L101	04331724	15	Front Drive Shaft Bearing	ST400-363	
for ST400C03L895	ST400-13-32	16	Drive Housing Seal	ST400-271	
for ST400C03L942	04334389	17	Inlet Flange Assembly (includes Flange (2), Flange Mounting Bolts (4), Lock Washers (4) and O-Ring)	ST400-16	
for ST400C03L1448	SS175L-13-1448				
3	Flange Cap Screws (6)	04564522		Starters with "I" in model number	ST400-K17
4	Flange Cover				
	for SAE 1 Flange	04615118			
	for SAE 3 Flange	04615100			

### Parts and Maintenance

When tool life has expired, it is recommended that the tool be disassembled, degreased and parts separated by material for proper recycling.

Tool repair and maintenance should only be carried out by an authorized Service Center.

Refer all communications to the nearest **Ingersoll Rand** office or distributor.

### Related Documentation

Manuals can be downloaded from [ingersollrand.com](http://ingersollrand.com)

For additional information, refer to:

Product Safety Information Manual 45558624.

Product Information Manual 47619006001.

Product Maintenance Manual 47616906001.

Declaration of Incorporation 47616908001.