



04581328
Edition 6
February 2020

Fixtured In-Line DC Electric Nutrunner

QM5 Series

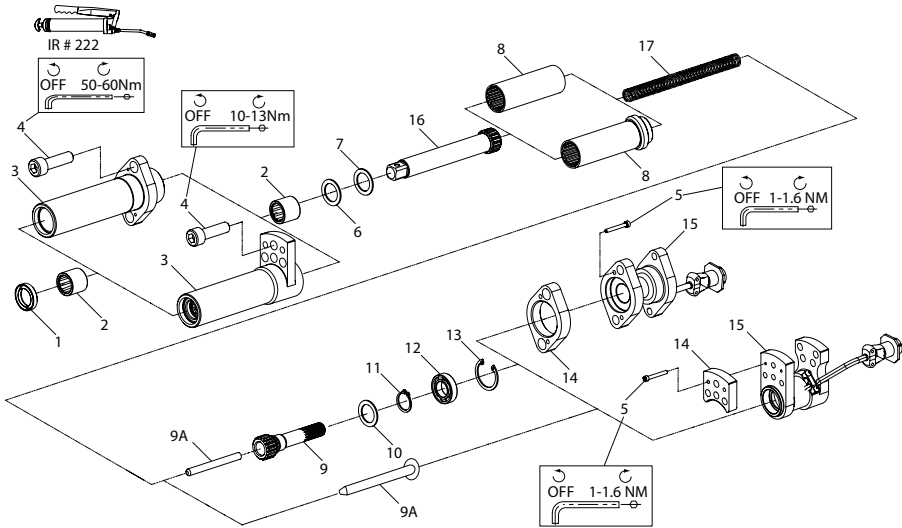
Parts Information



Save These Instructions

IR *Ingersoll Rand*

QM5 Spindle/Transducer Assembly - Exploded View



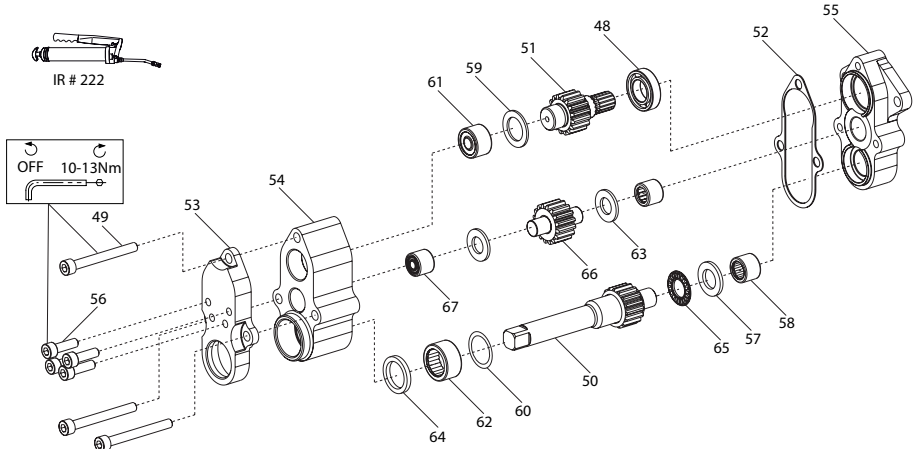
(Dwg. 16575987)

QM5 Spindle/Transducer Assembly - Parts List

Item	Part Description	Part Number (CCN)	
		QM5S	QM5Z
	Housing Assembly	EE5-A580 (80142730)	EE5-A580Z (16577611)
1	Seal	EE5-272 (80142284)	
2	Needle Bearing (QTY. 2)	203A19X01 (96956982)	
3	Housing	EE5-580 (80142748)	EE5-580Z (16577512)
4	Screw		
	for QM5S, M10X1.5X55 (QTY. 2)	EE5-756-68 (80144918)	---
	for QM5Z, M6X1X30 (QTY. 4)	---	EE5-756X-90Z-68 (16585283)
5	Screw, M3X0.5X25 (QTY. 2)	EE3-767-68 (80146467)	
6	Washer, Brass	120E4-105 (04340519)	
7	Washer, Steel	120E4-106 (04340527)	
8	Coupler	EE5-581-50 (80142128)	EE5-A581-50Z (80203623)
*	Spindle Lock	EE5-LOCK (80153547)	
9	Input Spindle	EE5-584 (80142383)	---
9A	Pin	EE5-56 (80142185)	EE5-56Z (80209398)
10	Washer, Steel	120E4-106 (04340527)	
11	Retainer	FEA100-20 (03106697)	
12	Bearing	EE5-593 (80145253)	
13	Retainer	EE5-20 80144975	
14	Plate Spacer	EE5-767 (80144306)	EE5-767Z (16577736)
15	Transducer Assembly	EE5-A756-90 (10566644)	EE5-A756-90Z (16577769)
*	Transducer Spacer (for non torque controlled models)	EE5-755 (10562775)	
16	Spindle		
	for QM5...62S06	EE356-586-S (80142144)	
	for QM5...92S06	EE356-586-M (80146046)	
	for QM5...22S06	EE356-586-L (80146079)	
	for QM5...62S08	EE358-586-S (80145931)	
	for QM5...92S08	EE358-586-M (80146103)	
	for QM5...22S08	EE358-586-L (80146129)	
17	Spring		
	for QM5...H...(Spring, heavy)	EE5-626 (80147325)	
	for QM5...L...(Spring, light)	EE5-626-L (80147333)	

* Indicates not illustrated.

QM5 Offset Mechanism - Exploded View



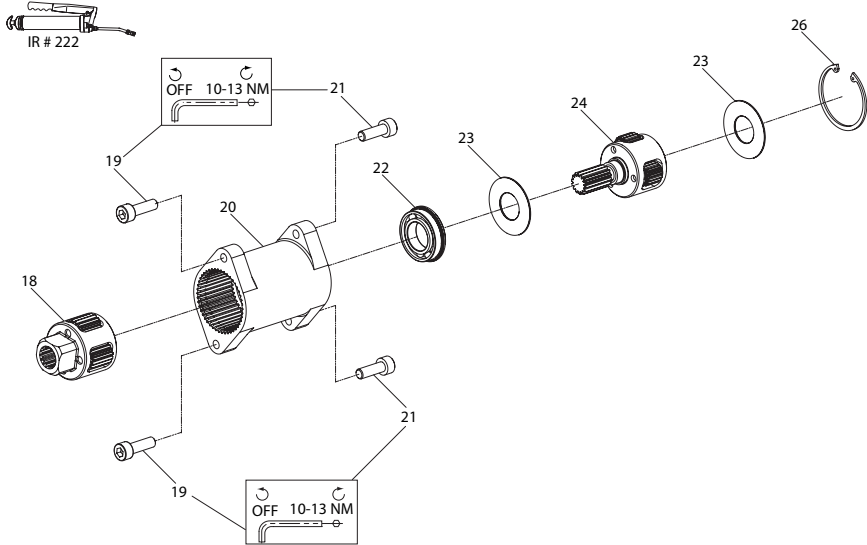
(Dwg. 16594988)

QM5 Offset Mechanism - Parts List

These parts are available only for QM5Z{} models.

Item	Part Description	Part Number	Item	Part Description	Part Number
48	Bearing	EE5-593	58	Bearing	R1610-793
49	Screw (M6X1X55) (QTY. 3)	EE5-378Z-68	59	Washer	R1610-707
50	Spindle Driver	EE5-591Z	60	Thrust Washer	R1610-706
51	Drive Gear	EE5-756Z	61	Bearing	R1610-601
52	Gasket	EE5-592Z	62	Bearing	R1610-593
53	External Adapter	EE5-65Z	63	Thrust Washer (QTY. 2)	R1610-332
54	Gear Housing	EE5-147Z	64	Oil Seal	R1610-271
55	Housing Cover	EE5-3782	65	Thrust Bearing	R1610-105
56	Screw (M6X1X20) (QTY. 4)	EE3-37-68	66	Intermediate Gear	R1610-82
57	Washer	D1610-701	67	Bearing (QTY. 2)	H54U-535

QM5 Gearing Assembly - Exploded View

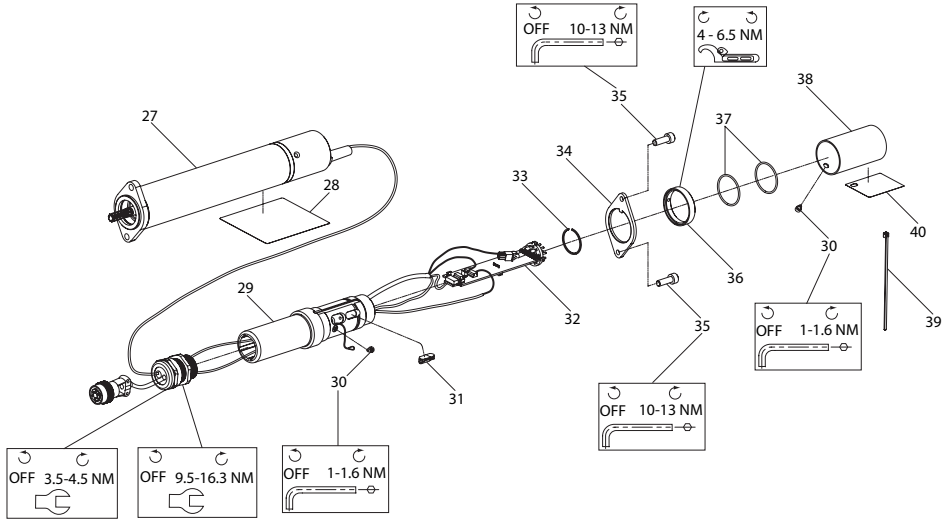


(Dwg. 16575995)

QM5 Gearing Assembly - Parts List

Item	Part Description	QM5{035}{}	QM5{055}{}	QM5{090}{}
		Part Number	Part Number	Part Number
	Gear Case Assembly	EE5-M37-13P6	EE5-M37-15P8	EE5-M37-28P6
18	Spindle Assembly	EE5-13P6-A8	GEA240-A8	GEA240-A8
	Spindle	---	---	---
	Needle	---	---	---
	Spacer	---	---	---
	Shaft	---	---	---
	Planet Gear	---	---	---
19	Screw M6X1X18 (QTY. 2)	EE7-53-68	EE7-53-68	EE7-53-68
20	Gear Case	EE5-38	EE5-37	EE5-37
21	Screw M6X1X20 (QTY. 2)	EE3-37-68	EE3-37-68	EE3-37-68
22	Bearing	---	GEA240-606	GEA240-606
23	Spacer	GEA240-80 (QTY. 3)	GEA240-80 (QTY. 2)	GEA240-80 (QTY. 2)
24	Gear Head Assembly	EE5-13P6-A216	EE5-15P8-A216	EE5-28P6-A216
	Gear Head	---	---	---
	Planet Gear	---	---	---
	Bearing	---	---	---
	Shaft	---	---	---
26	Retaining Ring	W64-118 (QTY. 2)	W64-118 (QTY. 1)	W64-118 (QTY. 1)

QM5 Motor/Electronics Pod - Exploded View



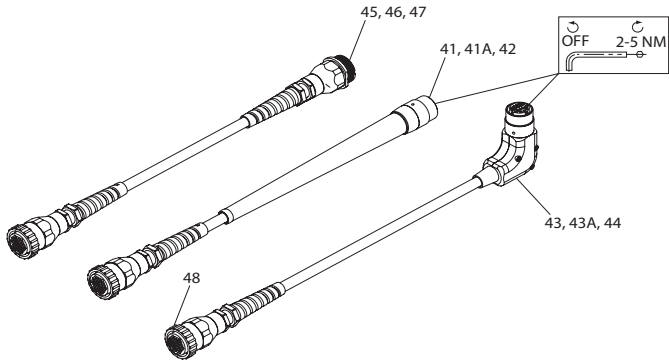
(Dwg. 16576001)

QM5 Motor/Electronics Pod - Parts List

Item	Part Description	Part Number	Item	Part Description	Part Number
27	Motor Assembly	EE5-D53	† 31	Memory Chip Assembly	TRP-A528
28	Warning Label	EE3-99	32	Communication Board	GEA15-A2309
	Strain Relief	EE9-445	33	Clip	GEA40-2309-104
	Cable Clamp	EE9-960-9	34	Flange	EE9-2309-767
	Cable Assembly	EE5-A240	35	Screw M6X1X18 (QTY. 2)	EE7-53-68
	Screw (Back Cap) M3X0.5X6 (QTY. 3)	EE9-231-68	36	Nut	EE9-2309-27
	Screw (Strain Relief) M3X0.5X8 (QTY. 2)	EE9-531-68	37	O-Ring (QTY. 2)	GEA40-801
	Back Cap	EE5-231	38	Cover	EE9-2309-202
	Electronics Module	---	39	Cable Tie	EE9-200
29	Housing	EE9-2309-40	40	Logo Label	EE3-99A
30	Screw M3X0.5X4 (QTY. 2)	EE9-2309-68			

† Optional part. Order O-Rings GEA40-801 with Memory Chip.

QM Accessories



(Dwg. 80149982)

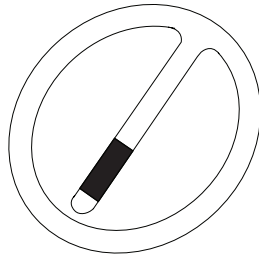
QM Accessories Parts List

Item	Part Description	Part Number	Item	Part Description	Part Number
41	Power Cord Assembly (3 Meter)	GEA40-C0RD-3M	45	Power Cord Extension Assembly (10 Meter)	GEA40-EXT-10M
41A	Power Cord Assembly (6 Meter)	GEA40-C0RD-6M	46	Power Cord Extension Assembly (20 Meter)	GEA40-EXT-20M
42	Power Cord Assembly (10 Meter)	GEA40-C0RD-10M	47	Power Cord Extension Assembly (40 Meter)	GEA40-EXT-40M
43	Power Cord Assembly, 90 Deg. (3 Meter)	GEA40-C0RD-3M-90	48	Connector Ring	GEA40-26F-12
43A	Power Cord Assembly, 90 Deg (6 Meter)	GEA40-C0RD-6M-90	*	IR# 222 Grease (1 lb.) (0.45 kg.)	EE9-222-1LB
44	Power Cord Assembly, 90 Deg. (10 Meter)	GEA40-C0RD-10M-90			

* Indicates not illustrated.

Socket Retainers (One Piece)

Part Number	Drive Size	Inside Diameter	Pin Size
	in. (mm)	in. (mm)	in. (mm)
RR10001	3/8" (9.5)	0.600 (15.2)	0.110 (2.8)
RR10002	3/8" (9.5)	0.670 (17.0)	0.110 (2.8)
RR10003	3/8" (9.5)	0.750 (19.1)	0.110 (2.8)
RR10006	3/8" (9.5)	0.950 (24.1)	0.110 (2.8)
RR10011	3/8" (9.5)	0.820 (20.8)	0.110 (2.8)
RR10013	3/8" (9.5)	1.100 (28.0)	0.110 (2.8)
RR10004	1/2" (12.7)	0.800 (20.3)	0.130 (3.3)
RR10005	1/2" (12.7)	0.870 (22.1)	0.130 (3.3)
RR10007	1/2" (12.7)	0.950 (24.1)	0.130 (3.3)
RR10008	1/2" (12.7)	1.150 (29.2)	0.130 (3.3)
RR10009	1/2" (12.7)	1.300 (33.0)	0.130 (3.3)
RR10010	1/2" (12.7)	1.450 (36.8)	0.130 (3.3)
RR10014	1/2" (12.7)	1.050 (26.7)	0.130 (3.3)



Packaging (Corrugated Box)

Packaging P/n	Description
BOX-30	Corrugated Box
BOX-30X	Foam

Suggested Tools

Item	Tool Used	Description	Where Used?
1	Pin Spanner Wrench	3 mm or 1/8" pin	Cable, Electronics Pod Flange Nut
2	Torque Wrench	60 Nm Capacity	General Use
3	Adjustable Wrench	----	Electronics Pod Strain Relief
4	Metric Allen Key Set	2.5 - 8 mm	General Use
5	Internal Snap Ring Pliers	----	General Use
6	Pick	----	O-Rings, Retainers, etc.

Parts and Maintenance

When tool life has expired, it is recommended that the tool be disassembled, degreased and parts separated by material for proper recycling.

Tool repair and maintenance should only be carried out by an authorized Service Center.

Refer all communications to the nearest **Ingersoll Rand** office or distributor.

Related Documentation

Manuals can be downloaded from ingersollrandproducts.com

For additional information, refer to:

Product Safety Information Manual 16573693

Product Information Manual 04581278

Maintenance Information Manual 04581369

[ingersollrandproducts.com](https://www.ingersollrandproducts.com)

© 2020 *Ingersoll Rand*

