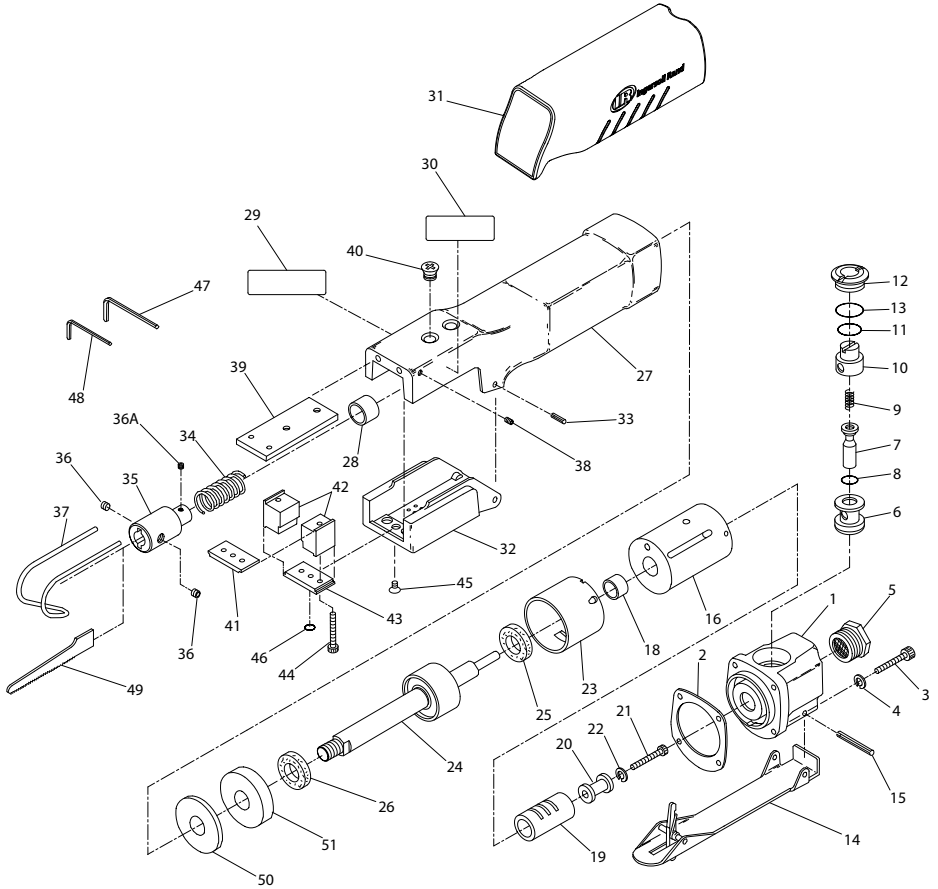


# Model 429G Reciprocating Air Saw - Exploded View



(Dwg. 45661295)

## Model 429G Reciprocating Air Saw - Parts List

Item	Part Description	Part Number	Item	Part Description	Part Number
1	Valve Block Assembly	329-A35	32	Housing Cover	329-336
2	Valve Block Gasket	329-739	33	Housing Cover Pin (2)	329-339
3	Valve Block Mounting Screw (4)	329-70	34	Valve Spring	329-103
4	Mounting Screw Washer (4)	329-71	35	Blade Chuck	329-274
5	Inlet Bushing	329-565	36	Blade Chuck Setscrew (2)	329-68
6	Valve Bushing	329-76	36A	Chuck Screw	329-69
7	Valve Stem	329-302	37	Work Guide	329-321
8	Valve Stem O-Ring	329-381	38	Work Guide Setscrew	329-108
9	Valve Spring	329-515	39	Guide Plate	329-244
10	Air Controller	329-424	40	Guide Plate Mounting Screw (2)	329-67
11	Air Controller O-Ring	329-380	41	Upper Shoe	329-245
12	Valve Screw	329-669	42	Blade Guide (2)	329-246
13	Valve Screw O-Ring	329-379	43	Bridge	329-247
14	Throttle Lever	329-273	44	Bridge Mounting Screw (2)	329-34
15	Throttle Lever Pin	329-120	45	Cover Screw	329-338
16	Valve Case Assembly	329-A10	46	Cover Screw O-Ring	329-337
18	Valve Case Bushing	329-14	47	Blade Chuck Hex Wrench (4mm)	329-27
19	Valve Sleeve	329-33	48	Work Guide Hex Wrench (2mm)	329-26
20	Valve	329-32	49	Saw Blade Pack, Fine/Coarse (5)	P4VFC-5
21	Valve Screw	329-34	50	Washer	429-739
22	Valve Screw Washer	329-37	51	Spacer	429-706
23	Cylinder	329-3			
24	Piston Assembly	429-A5			
25	Rear Bumper	329-222			
26	Front Bumper	329-221			
*	Housing Assembly	429G-A40			
27	Housing	---			
28	Housing Bushing	329-15			
29	Warning Label	429G-99			
30	Nameplate	429G-301			
31	Grip	429G-747			

\* Not Illustrated.

### Parts and Maintenance

When the life of the tool has expired, it is recommended that the tool be disassembled, degreased and parts be separated by material so that they can be recycled.

Tool repair and maintenance should only be carried out by an authorized Service Center.

Refer all communications to the nearest **Ingersoll Rand** Office or Distributor.

### Related Documentation

For additional information refer to:

Product Safety Information Manual 16578809.

Product Information Manual 45661188.

Manuals can be downloaded from [ingersollrandproducts.com](http://ingersollrandproducts.com)