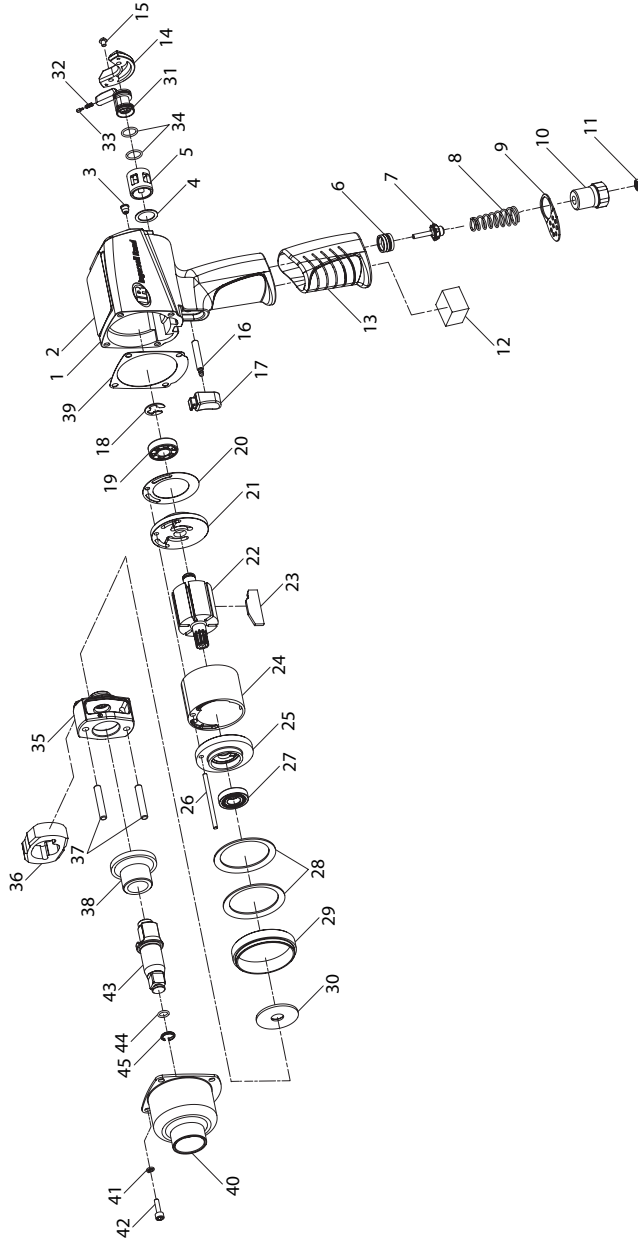


236G Air Impact Wrench - Exploded View



(Dwg. 80203656)



236G Air Impact Wrench - Parts List

Item	Part Description	Part Number	Item	Part Description	Part Number
	Housing Assembly	236G-A40	25	Front End Plate	231-11
1	Housing	---	26	Cylinder Dowel	230-98
2	Nameplate/Warning Label	236G-301A	27	Front Rotor Bearing	4U-97
3	Grease Fitting	131-188	28	Motor Clamp Washer (2)	227-207
4	Reverse Bushing Seal	---	29	Hammer Case Pilot	236-800
5	Reverse Valve Bushing	---	30	Rear Frame Washer	231-706
6	Valve Seat	---		Reverse Valve Kit	236-A329
7	Throttle Valve	131-50	31	Reverse Valve	---
8	Valve Spring	131-51	32	Spring	---
9	Exhaust Deflector	236-23	33	Detent Retainer	---
10	Inlet Bushing Assembly	131-565	34	Reverse Valve Seal (2)	---
11	Inlet Screen	---	35	Hammer Frame	236-703
12	Exhaust Silencer	235-311	36	Hammer	231XP-724
13	Grip	236-747	37	Hammer Pin (2)	2903P-704
	Reverse Valve Retainer Kit	236-A119		Hammer Case Kit	236-K727
14	Reverse Valve Retainer	---	38	Hammer Case Bushing	---
15	Reverse Valve Screw (2)	---	39	Hammer Case Gasket	---
	Trigger Assembly	236-A93	40	Hammer Case	---
16	Trigger Shaft	---	41	Lock Washer (4)	---
17	Trigger	---	42	Hammer Case Screw (4)	---
18	Bearing Retainer	131-118		Anvil Assembly	236-A626
19	Rear Rotor Bearing	402-22	43	Anvil	---
20	End Plate Gasket	PF800-283		Socket Retainer Kit	2125QTi-K425
21	Rear End Plate	231-12	44	O-ring	---
22	Rotor	231-53	45	Socket retainer Spring	---
23	Vane Pack (set of 6)	2131-42A-6		Tune Up Kit	236-TK1
24	Cylinder	407-3		Contains Items 7, 12, 17, 18, 19, 22, 26 and 38	

Parts and Maintenance

When the life of the tool has expired, it is recommended that the tool be disassembled, degreased and parts be separated by material so that they can be recycled.

Tool repair and maintenance should only be carried out by an authorized Service Center.

Refer all communications to the nearest **Ingersoll Rand** Office or Distributor.

Related Documentation

For additional information refer to:

Air Impact Wrench Product Safety Information Manual 04580916.

Air Impact Wrench Product Information Manual 80203920.

Manuals can be downloaded from ingersollrandproducts.com.