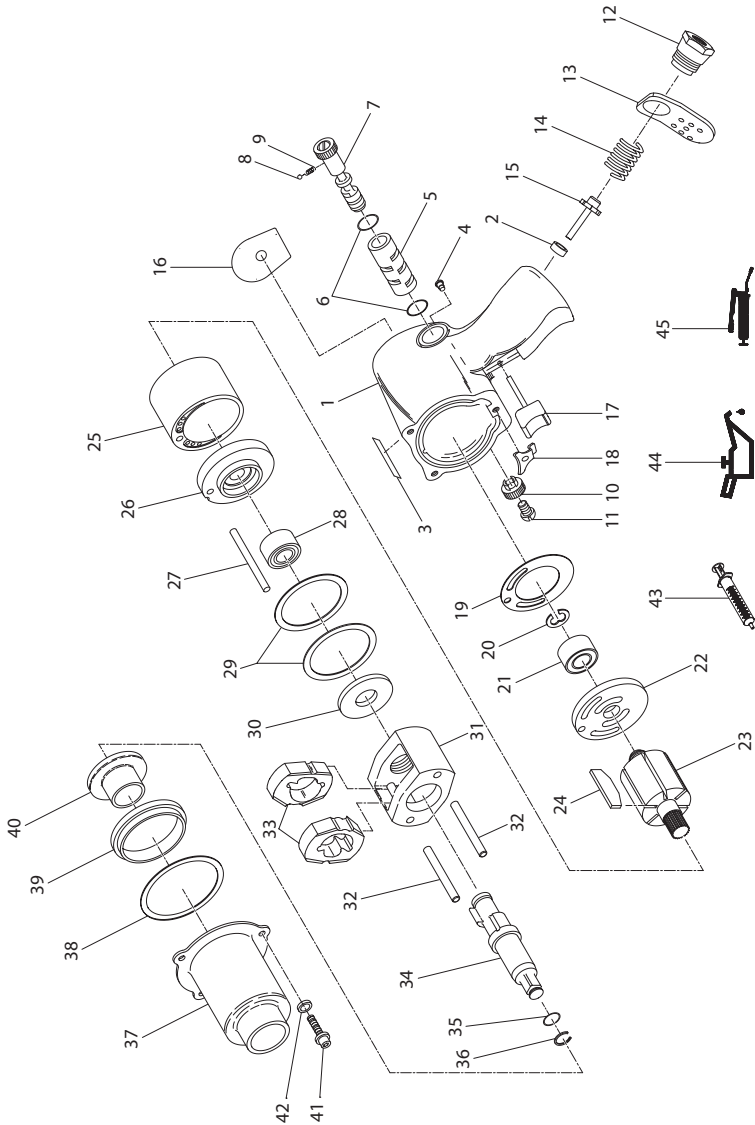


# 231TL-2 Impact Wrench - Exploded View



(Dwg. TP1970)



## 231TL-2 Impact Wrench - Parts List

Item	Part Description	Part Number	Item	Part Description	Part Number
1	Motor Housing	231TL-D40	26	Front End Plate	231-11
2	Throttle Valve Seat	131-303	27	Cylinder Dowel	230-98
3	Warning Label	WARNING-2-99	28	Front Rotor Bearing	4U-97
4	Grease Fitting	130SR-188	29	Motor Clamp Washer (2)	227-207
5	Reverse Valve Bushing	231TL-330	30	Hammer Frame Washer	231-706
6	Seal	PS3-67	31	Hammer Frame Kit	231TL-A703
7	Reverse Valve	131-329	32	Hammer Pin (2)	231-704
8	Reverse Valve Detent Ball	AV1-255	33	Hammer (2)	231XP-724
9	Reverse Valve Detent Spring	131-664	34	Anvil Assembly	231TL-A414
10	Reverse Valve Knob	131-666	35	Retainer O-Ring	R1A-159
11	Reverse Valve Screw	131-665	36	Socket Retainer	231-425A
12	Inlet Bushing	131-565	37	Hammer Case Assembly	131-A727-70
13	Exhaust Deflector	131-23	38	Hammer Case Gasket	230-36
14	Throttle Valve Spring	231G-51	39	Hammer Case Pilot	405-800
15	Throttle Valve	235-50	40	Hammer Case Bushing	705-941
16	Nameplate	231TL-301	41	Hammer Case Cap Screw (3)	131-638
17	Trigger	231H-A93	42	Hammer Case Lock Washer (3)	131-637
18	Trigger Retainer	231HP-656	43	Grease Gun	230-228
19	End Plate Gasket	231-283	44	Oil	405-M01
20	Rear Rotor Bearing Retainer	402-118	45	Grease	405-MG1
21	Rear Rotor Bearing	402-22	*	Tune Up Kit (includes items 2, 6{2}, 8, 9, 14, 15, 19, 20, 21, 24, 28, 35, 36 and 38)	231HP-TK1
22	Rear End Plate	231-12			
23	Rotor	231-53	*	Hammer Kit (for 231TL-2) (includes items 33{2}, 34, 38, 41{3} and 42{3})	231TL-THK
24	Vane (Set of 6 Vanes)	2131-42-6			
25	Cylinder	231XP-3			

\* Not illustrated

## Parts and Maintenance

When the life of the tool has expired, it is recommended that the tool be disassembled, degreased and parts be separated by material so that they can be recycled.

Tool repair and maintenance should only be carried out by an authorized Service Center.

Refer all communications to the nearest **Ingersoll Rand** Office or Distributor.

## Related Documentation

For additional information refer to:

Air Impact Wrench Product Safety Information Manual 04580916.

Air Impact Wrench Product Information Manual 80181852.

Manuals can be downloaded from [ingersollrandproducts.com](http://ingersollrandproducts.com).