



**04584462**  
Edition 6  
October 2017

## **Air Impact Wrench**

**2945 and 2950**

---

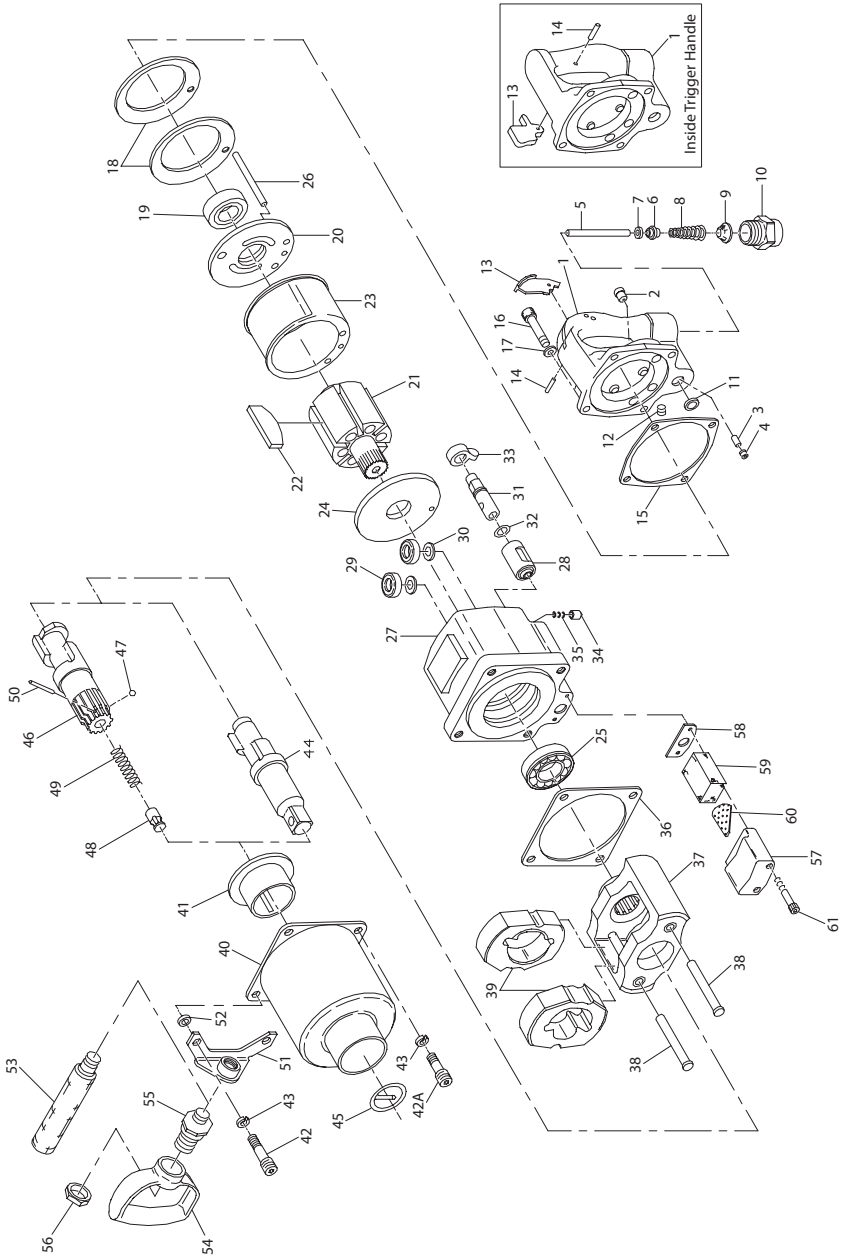
# **Parts Information**



**Save These Instructions**

**IR** *Ingersoll Rand*<sup>®</sup>

# 2945 and 2950 Air Impact Wrench - Exploded View



(Dwg. TPA1335)

## 2945 and 2950 Air Impact Wrench - Parts List

Item	Part Description	Part Number	(CCN)	Item	Part Description	Part Number	(CCN)
1	Throttle Handle Assembly			39	Hammer (2)		
	with Outside Trigger	2950-A1	(03473279)		for 2945	2945-724	(03472743)
	with Inside Trigger	2950-A92	(03473204)		for 2950	2950-724	(03473246)
2	Grease Fitting	1305R-188	(03039930)	40	Hammer Case Assembly		
† 3	Oiler Felt	R2-75	(03136272)		for 2945A7, 2945B7 and 2945B1	2945-A627	(03472735)
4	Oiler Adjusting Screw	R2-71	(03136264)		for 2945A7-EU and 2945B7-EU	2945-EU-A627	(04348587)
5	Throttle Valve Plunger	2950-302	(03472941)		for 2950A7 and 2950B7	2950-A727	(03473253)
6	Throttle Valve Assembly	2934-A50	(03441557)		for 2950A7-EU and 2950B7-EU	2950-EU-A727	(04348579)
† 7	Throttle Valve Face	2934-159	(03480225)	++ 41	Hammer Case Bushing	2950-541	(03473147)
8	Throttle Valve Spring	834-51	(03065687)	*	Hammer Case Label		
† 9	Air Strainer Screen	434-61	(03063013)		for models ending in -EU	EU-99	(04346607)
10	Straight Inlet	845-565	(03286283)		for all other models	WARNING-2-99	(04203139)
† 11	Reverse Valve Seal	R00BR-210	(03100682)	42	Hammer Case Cap Screw		
# 12	Oil Chamber Plug (2)	R0H-377	(0311793)		(3/8"-16 thread x 1-3/4" Socket Head (Long) (2)	2945-638	(03733649)
13	Trigger			42A	Hammer Case Cap Screw		
	Outside-type	844-78	(03067352)		(3/8"-16 x 1-1/2" Socket Head (Short) (2)	844-638	(03067659)
	Inside-type	834-93A	(03679966)	43	Lock Washer (4)	845-58	(03387867)
14	Trigger Pin			44	1-1/2" Square Drive Anvil		
	for Outside Trigger	F02-15	(03025558)		for 2945	2945-726	(03472719)
	for Inside Trigger	534-265	(03055183)		for 2950	2950-726	(03473162)
† 15	Handle Gasket	850-283	(03414513)	45	Socket Retaining Ring		
	(5/16"-18 thread x 1-1/4" long Socket Head) (4)	834-638	(03066354)		(for use with 1-1/2" Square Drive Anvil)	RR100205	(03809316)
16	Handle Cap Screw			46	Spline Drive Anvil Assembly		
	(5/16"-18 thread x 1-1/4" long Socket Head) (4)	834-638	(03066354)		(No. 5 Spline)		
17	Handle Cap Screw Washer (4)	588-140	(03059045)		for 2945B1	2945-A526A	(03875093)
18	Motor Clamp Washer (2)	MR-207	(03193489)		for 2950B1	VW-1030	(04194817)
† 19	Rear Rotor Bearing	834-24	(03065588)	47	Socket Retaining Ball	D04-280	(03171006)
20	Rear End Plate	2950-12	(03473188)	48	Retaining Ball Plunger	845-230	(03391018)
21	Rotor			49	Plunger Spring	2940-231	(03474103)
	for 2945	2945-53	(03472727)	50	Plunger Retaining Pin	845-128	(03391026)
	for 2950	2950-53	(03473196)	51	Dead Handle Bracket	845-364	(03387479)
† 22	Vane Packet (set of 6 Vanes)			52	Dead Handle Bracket Spacer	845-140	(03387461)
	for 2945	2945-42-6	(03676616)	53	Dead Handle	834-48	(03065661)
	for 2950	2950-42-6	(03629896)	54	Side Spade Handle	T15-41	(03142080)
23	Cylinder			55	Spade Handle Stud	534-448	(03055407)
	for 2945	2945-3	(03472784)	56	Stud Nut	107-73A	(03199346)
	for 2950	2950-3	(03473295)		Exhaust Deflector Kit	2934-K23	(03675840)
24	Front End Plate	2950-11	(03473170)	57	Exhaust Deflector	2934-23A	(03874294)
† 25	Front Rotor Bearing	TA-22A	(04025581)	† 58	Gasket	2934-223	(03675832)
26	Cylinder Dowel			† 59	Silencer	2940P-311	(03657855)
	for 2945	844-98	(03067402)	60	Exhaust Baffle	2934-124	(03675816)
	for 2950	2950-98	(03472925)	61	Exhaust Deflector Screw (2)	R43F-104	(03373255)
27	Motor Housing Assembly			*	Nameplate		
	for 2945	2945-A40	(03472628)		for 2945A7, 2945B7 and 2945B1		
	for 2950	2950-A40	(03472891)		for 2945A7-EU and 2945B7-EU	2945-301	(03674645)
28	Reverse Valve Bushing	2934-330S	(03442142)		for 2950A7 and 2950B7		
† 29	Air Port Gasket (2)	R44H-210A	(03157229)		for 2950A7 and 2950B7-EU	2950-301	(03674678)
† 30	Gasket Retainer (2)	2940-200	(03474582)	*	Nameplate Screw (4)	C32-302	(03081742)
31	Reverse Valve Assembly	2934-A329	(03441946)	*	Wooden Box	2945-96	(03751971)
† 32	Reverse Valve Bushing Seal	85H-167	(03035847)	*	Grease Gun	R000A2-228	(03095015)
33	Reverse Lever	2934-658A	(03680725)	*	Tune-up Kit		
† 34	Reverse Lock Plunger	4U-663B	(03071800)		for 2945 (includes illustrated parts 3, 7, 9, 11, 15, 19, 22, 25, 29 [2], 30 [2], 32, 34, 35, 36, 58 and 59)	2945-TK2	(03803137)
† 35	Plunger Spring	4U-664	(03071818)		for 2950 (includes illustrated parts 3, 7, 9, 11, 15, 19, 22, 25, 29 [2], 30 [2], 32, 34, 35 and 36)	2950-TK2	(03803145)
† 36	Hammer Case Gasket	845-36	(03401098)				
37	Hammer Frame Assembly						
	for 2945	2945-A703	(03472651)				
	for 2950	2950-A703	(03472974)				
38	Hammer Pin (2)						
	for 2945	2945-704	(03472669)				
	for 2950	2950-704	(03472982)				

\* Indicates not illustrated.

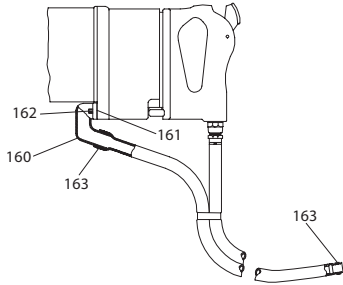
† Indicates a Tune-up Kit part.

++ Indicates common-wear parts. Maintain stock to reduce downtime.

• The Hammer Case Bushing is a press fit in the Hammer Case. A .005" oversize Bushing is available and should be used if the nose of the Case has stretched to the extent that a new standard size Bushing fits loosely. The Part No. for a .005" oversize Bushing is 2950-541-5.

# Some tools have a single oil chamber plug. For these tools, order one Oil Chamber Plug, Part Number R2-227.

## Piped-away Exhaust Kit



(Dwg. TPA559)

Item	Part Description	Part Number	CCN
	Piped Away Exhaust Kit		
	without Muffler	2940-K184	03473881
160	Exhaust Adapter	2940-167	03473915
161	Exhaust Adapter Gasket	2940-30	03473873
162	Adapter Cap Screw (No. 10-24 thread x 5/8" Socket Head (2)	AL-638	03026093
163	Hose Clamp	R21-31	03467750

---

## Parts and Maintenance

When tool life has expired, it is recommended that the tool be disassembled, degreased and parts separated by material for proper recycling. Tool repair and maintenance should only be carried out by an authorized Service Center.

Refer all communications to the nearest **Ingersoll Rand** office or distributor.

---

## Related Documentation

Manuals can be downloaded from [ingersollrandproducts.com](http://ingersollrandproducts.com).

For additional information, refer to:

Product Safety Information Manual 04580916.

Product Information Manual 04584835.

Maintenance Information Manual 04584306.

**Notes:**

---

---

**Notes:**

**Notes:**

---

[ingersollrandproducts.com](http://ingersollrandproducts.com)

© 2017 *Ingersoll Rand*

