



16600975
Edition 4
October 2013

Air Impact Wrench

588A1

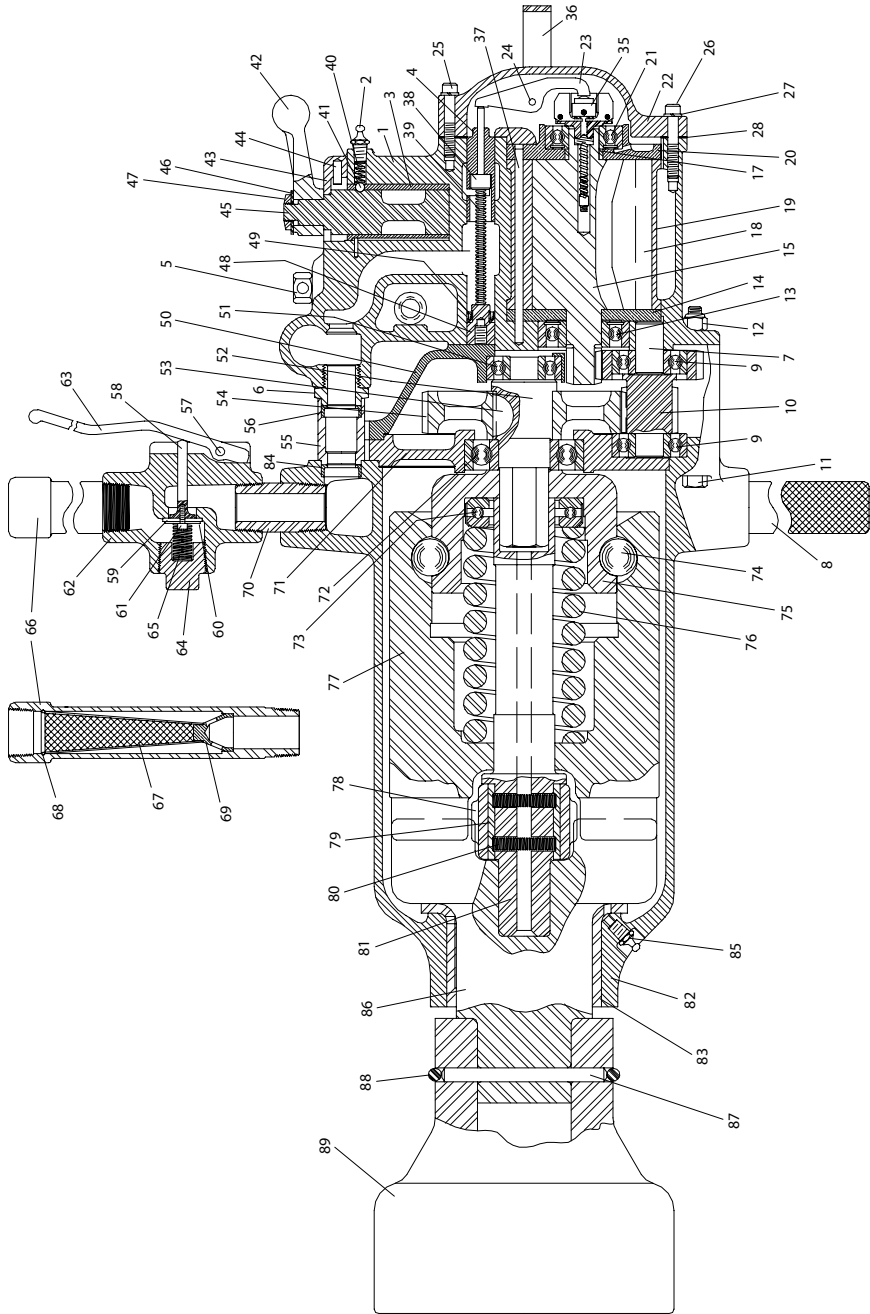
Parts Information



Save These Instructions

IR *Ingersoll Rand*

Model 588A1 Impact Wrench - Sectional View



(Dwg. TPA297-2)

Model 588A1 Impact Wrench - Parts List

Item	Part Description	Part Number	Item	Part Description	Part Number
1	Motor Housing		48	Governor Valve Stop	JC55-434
	for model 588A1-EU	588-EU-40	49	Governor Valve Stop Gasket	R2J-210
	for model 588A1	588-40	50	Gear Case	588-37
2	Grease Fitting	23-188	*	Grease Fitting	23-188
3	Reverse Valve Bushing	JC55-330	• 51	Spindle Rear Bearing	D04-366
4	Governor Valve Bushing	R5H-429	52	Spindle	588-8
5	Oil Chamber Plug	P25-227	53	Spindle Gear Key	588-410
6	Air Pipe Nipple	588-200	54	Spindle Gear	588-9
7	Intermediate Gear Bearing Stud	R5H-502	55	Air Pipe	588-199
*	Oiler Adjusting Screw (2)	JA4-71	56	Air Port Gasket	R44H-210A
*	Adjusting Hole Plug (2)	R2-227		Lever Throttle Assembly	588-A160
*	Oiler Felt (4)	JA4-75	57	Throttle Lever Pin	534-434
*	Air Port Gasket (2)	R44H-210A	58	Throttle Valve	588-161A
*	Exhaust Elbow	KX-587	59	Throttle Valve Face	588-159A
55	Air Pipe	588-199	60	Valve Face Cap	588-157
56	Air Port Gasket	R44H-210A	61	Valve Face Retaining Screw	4U-359
8	Dead Handle	588-48	62	Throttle Body	588-160
9	Intermediate Gear Bearing	D04-366	63	Throttle Lever	588-273
10	Intermediate Gear	R5J-82	64	Throttle Valve Cap	TA-464
11	Hammer Case Long Bolt (2) (4-1/2" long)	588-636	65	Throttle Valve Spring	225R-262
12	Elastic Stop Nut (3/8"-24 Thread) (2)	FM-639	66	Throttle Handle	588-301
*	Hammer Case Short Bolt (6) (2" long)	588-638	67	Air Strainer Screen	588-61
*	Elastic Stop Nut (3/8"-24 Thread) (6)	FM-639	68	Air Strainer Screen Retainer	205-506
*	Housing Bolt (2) (1-3/8" long)	241-82	69	Air Strainer Support	588-567
*	Elastic Stop Nut (3/8"-24 Thread) (2)	FM-639	70	Throttle Connector	588-333
*	Housing Cap Screw (2) (1" long)	D02-354	71	Gear Case Cover	588-720
*	Housing Cap Screw Lock Washer (2)	D02-321	• 72	Spindle Front Gearing	23-405
• 13	Front Rotor Bearing	R5H-24	• 73	Hammer Spring Threat Bearing	588-695
• 14	Front End Plate	R55H-11	74	Cam Ball (2) (1" diameter steel ball)	588-722
15	Rotor Kit	9BM-K53	75	Ball Cam	588-721
17	Rotor Bearing Spacer	R5H-65	76	Hammer Spring	588-728
• 18	Vane Packet (set of 5 Vanes)	R5H-42-5	77	Hammer	588-724
19	Cylinder	588-3	78	Anvil Driver	588-730
• 20	Rear End Plate	R55H-12	79	Anvil Driver Shoe (2)	588-729
• 21	Rear Rotor Bearing	R5H-22	80	Shoe Spring (2)	588-731
22	Backhead	JC55-102	81	Arbor	588-725
23	Governor Lever	R5H-436	82	Hammer Case Assembly	
24	Governor Lever Pin	N00-15		for model 588A1-LU	588-EU-A727
*	Grease Fitting	23-188		for model 588A1	588-A727
25	Backhead Long Cap Screw	R4H-104	83	Hammer Case Bushing	588-641
26	Backhead Short Cap Screw (5)	B8-240	84	Air Port Gasket	R44H-210A
27	Backhead Cap Screw Lock Washer (6)	T11-58	85	Grease Fitting	23-188
28	Backhead Gasket	JC55-283	*	Eyebolt	215-4
35	Governor Assembly	R5H-A424B	*	Eyebolt Hole Plug	588-778
36	Vertical Hanger	588-365A	*	Hammer Case Label	
*	Vertical Hanger Spacer (4)	588-140		for model 588A1-EU	EU-99
37	Cylinder Dowel	R5H-98		for model 588A1	WARNING-2-99
38	Governor Valve	R5H-425	*	Oversize Hammer Case Bushing	
39	Governor Valve Spring	R4H-431	† *	.005" oversize	588-641-5
40	Reverse Valve Stop Ball Spring	503-607	† *	.010" oversize	588-641-10
41	Reverse Valve Stop Ball (5/16" diameter steel ball)	G601-65	† *	.015" oversize	588-641-15
			† *	.031" oversize	588-641-31
42	Reverse Lever	JC55-163	86	Anvil	
43	Reverse Valve Cover	588-489		Standard	588-726
				24" Extended	588-314-24
44	Reverse Valve Stop Pin	JC55-505			
*	Reverse Valve Cover Cap Screw (2)	107-117	87	Socket Pin	588-215
45	Reverse Valve	JC55-329	88	Socket Pin Retainer	588-216
46	Reverse Valve Washer	23-725	89	Socket	#
47	Reverse Valve Nut	D02-418A	*	Grease Gun	P25-228

* Not illustrated.

• To keep downtime to a minimum, it is desirable to have on hand certain repair parts. We recommend that you stock one (pair or set) of each part indicated by a bullet (•) for every four tools in service.

Inquire at the nearest **Ingersoll Rand** Branch Office or authorized distributor for sizes and prices of available Sockets.

† Refer to Oversize Hammer Case Bushings in Air Impact Wrench Maintenance Information Manual 16600983.

Parts and Maintenance

When the life of the tool has expired, it is recommended that the tool be disassembled, degreased and parts be separated by material so that they can be recycled.

Tool repair and maintenance should only be carried out by an authorized Service Center.

Refer all communications to the nearest **Ingersoll Rand** Office or Distributor.

Related Documentation

For additional information refer to:

Air Impact Wrench Product Safety Information Manual 04580916.

Air Impact Wrench Product Information Manual 03523107.

Air Impact Wrench Maintenance Information Manual 16600983.

Manuals can be downloaded from ingersollrandproducts.com

Notes:

Notes:

Notes:

ingersollrandproducts.com

© 2014 *Ingersoll Rand*

