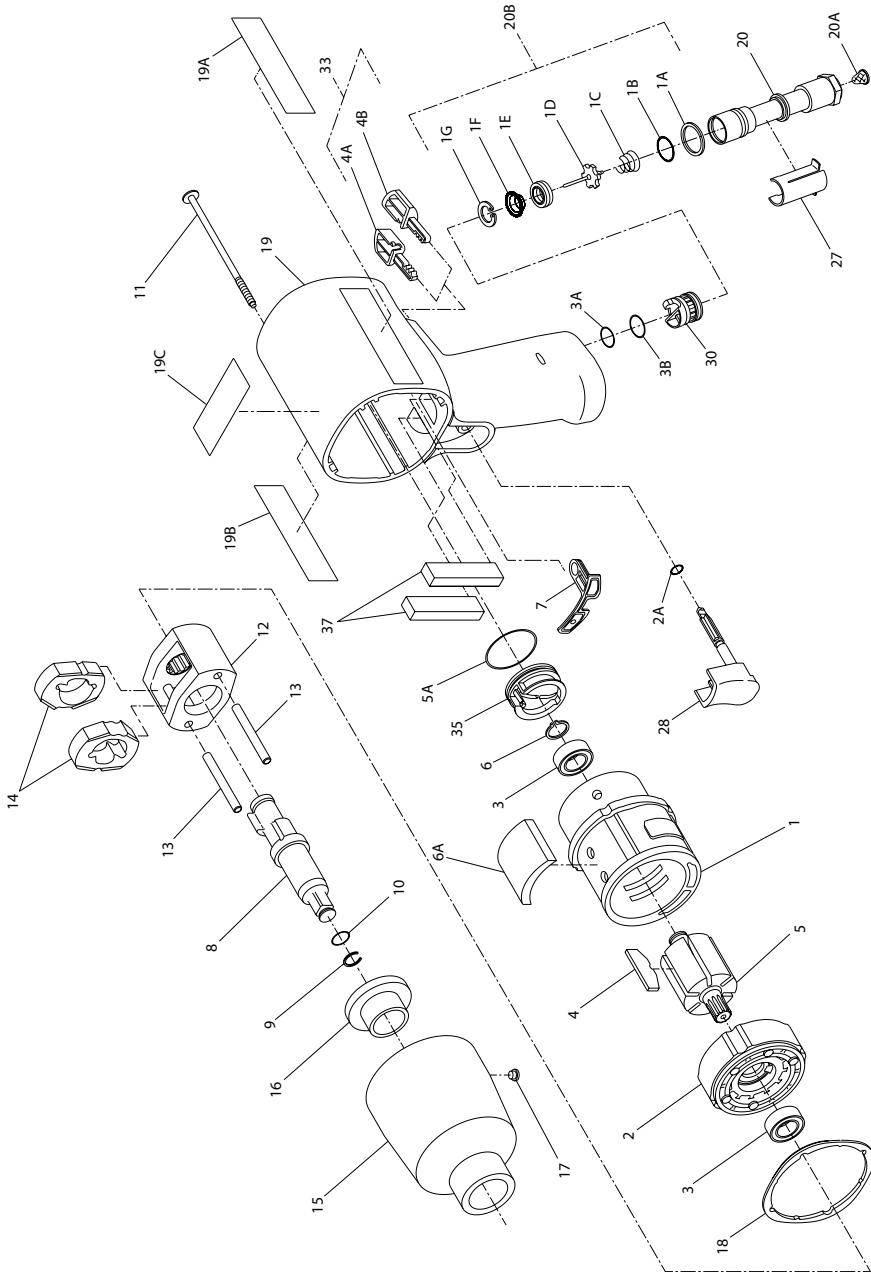


2131 Series Air Impact Wrench - Exploded View



(Dwg. TPA1854)



2131 Series Air Impact Wrench - Parts List

Item	Part Description	Part Number	Item	Part Description	Part Number
1	Cylinder	2135-3	19C	Warning Label	WARNING-2-99
2	Front End Plate	2131-11	20	Inlet Bushing Assembly	2131-D565
3	Rotor Bearing (2)	2131-97	20A	Inlet Bushing Screen	5RA-61
• 4	Vane Packet (set of 6 Vanes) (yellow)	2131-42A-6	20B	Inlet Parts Kit	2135-K303
5	Rotor	2131-53	1A	Washer	---
6	Rear Rotor Bearing Retainer	2131-6	1B	Inlet Bushing Seal	---
6A	Silencer		1C	Tilt Valve Spring	---
	for 2131QT	2131QT-311	1D	Tilt Valve	---
	for 2131PSP, 2131C and 2131PEX	2131S-311	1E	Tilt Valve Seat	---
• 7	Motor Gasket	2131-283	1F	Tilt Valve Seat Support	---
8	Anvil Assembly (with Ring-Type Retainer for 2131QT and 2131C)	231B-A626	1G	Tilt Valve Seat Retainer	---
	• 27		Inlet Retainer Clip	2131-57	
• 9	Socket Retainer Ring	2135-425	• 28	Trigger Assembly	2131-A93
• 10	Socket Retainer O-Ring	RIA-159	2A	Trigger O-Ring	---
*	Anvil Assembly (with Pin-Type Retainer for 2131PSP and 2131PEX)	231B-A726	30	Reverse Valve Assembly	2131-A329
	* Socket Retainer Plunger		804-716	3A	Reverse Valve O-Ring (top)
*	Socket Retainer Spring	5UHD-718	3B	Reverse Valve O-Ring (bottom) (blue)	---
11	Hammer Case Screw (4)	2131-638	33	Button Kit	
	Hammer Frame Assembly	2131-A703		for 2131QT	SN2131-K75
12	Hammer Frame	2131-703		for 2131PSP, 2131C and 2131PEX	2131-K75
13	Hammer Pin (2)	2131-704	4A	Forward Button	---
14	Hammer (2)	231XP-724	4B	Reverse Button	---
15	Hammer Case Assembly		35	Power Management Assembly	2131-A249
	for 2131QT and 2131C	2131A-A727	5A	Power Management Dial Seal	---
	for 2131PSP and 2131PEX	2131PSP-D727	*	Inlet Clip Removal Tool	2131-322
16	Hammer Case Bushing		37	Silencer (2) (for 2131PSP, 2131C and 2131PEX)	2131S-310
	for 2131QT and 2131C	2131A-941	*	ATEX Label (for 2131PSP)	ATEX-IMPACTOOL-99
	for 2131PSP and 2131PEX	2131SP-941	*	Grease (1 lb) (for external lubrication of the impact mechanism)	115-1LB
17	Hammer Case Grease Fitting	DOF9-879	*	Grease (for lubrication when disassembling and assembling the impact mechanism)	
• 18	Hammer Case Gasket	2131-36		1 lb	105-1LB
19	Housing Assembly			8 lb	105-8LB
	for 2131C	2131C-A40	*	Protective Cover	2131-P32
	for 2131QT	2131QT-D40	*	Grease Gun	R000A2-228
	for 2131PSP	2131PSP-A40	*	Grip (for 2131QT)	2132G-747
	for 2131PEX	2131PEX-A40			
19A	Nameplate				
	for 2131QT	2131QT-301			
	for 2131PSP, 2131C and 2131PEX	2131PSP-301			
19B	Housing Label				
	for 2131C	2131C-300			
	for 2131QT	2131-300			
	for 2131PSP	2131PSP-300			
	for 2131PEX	2131PEX-300			

* Indicates not illustrated.

• Indicates common-wear parts. Maintain stock to reduce downtime.

Parts and Maintenance

When tool life has expired, it is recommended that the tool be disassembled, degreased and parts separated by material for proper recycling.

Tool repair and maintenance should only be carried out by an authorized Service Center.

Refer all communications to the nearest **Ingersoll Rand** office or distributor.

Related Documentation

Manuals can be downloaded from ingersollrandproducts.com

For additional information, refer to:

Product Safety Information Manual Form 04580916 and 47559151001 (ATEX).

Product Information Manual Form 04584686.

Product Maintenance Manual Form 45481785.

