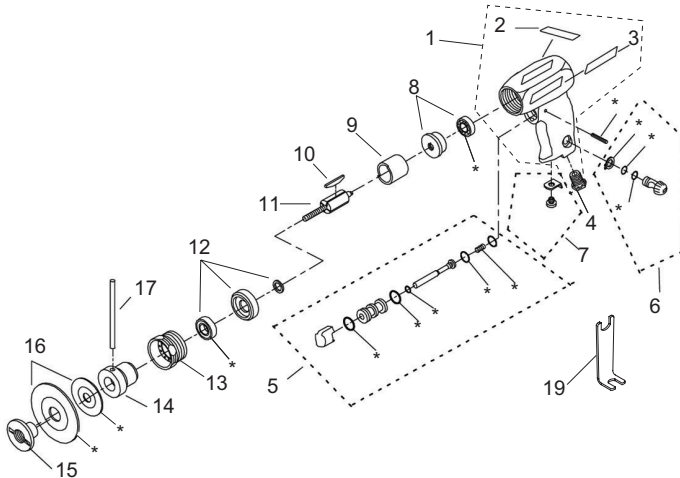


317A Sander Exploded Diagram



(Dwg. TP2261)

317A Sander Parts List

Item	Part Description	Part Number	Item	Part Description	Part Number
1	Housing Assembly	317A-A40	11	Rotor	317A-53
2	Warning Label and Nameplate	317A-301	12	Front-End Plate, Assembly	317A-A11
3	Label, IR	317A-300	13	Motor Lock-nut	317A-27
4	Inlet Bushing (with Screen)	317A-38	14	Flange	317A-86
5	Trigger Assembly	317A-A93	15	Pad Nut	317A-226
6	Regulator Assembly	317A-A249	16	Backing Pads	317A-825
7	Muffler Kit	317A-MK1	17	Insert Holding Tool	317A-26
8	Rear-End Plate Assembly	317A-A12	18	Tool Repair Kit (items marked with *)	317A-TRK1
9	Cylinder	317A-3	19	Wrench	317A-69
10	Vanes (set of 4)	317A-42-4			

* Not included with tool.

Parts and Maintenance

When the life of the tool has expired, it is recommended that the tool be disassembled, degreased and parts be separated by material so that they can be recycled.

Tool repair and maintenance should only be carried out by an authorized Service Center.

Refer all communications to the nearest **Ingersoll Rand** Office or Distributor.

Related Documentation

For additional information refer to:

Air Sander Product Safety Information Manual 04580387.

Air Sander Product Information Manual 04580395.

Manuals can be downloaded from ingersollrandproducts.com