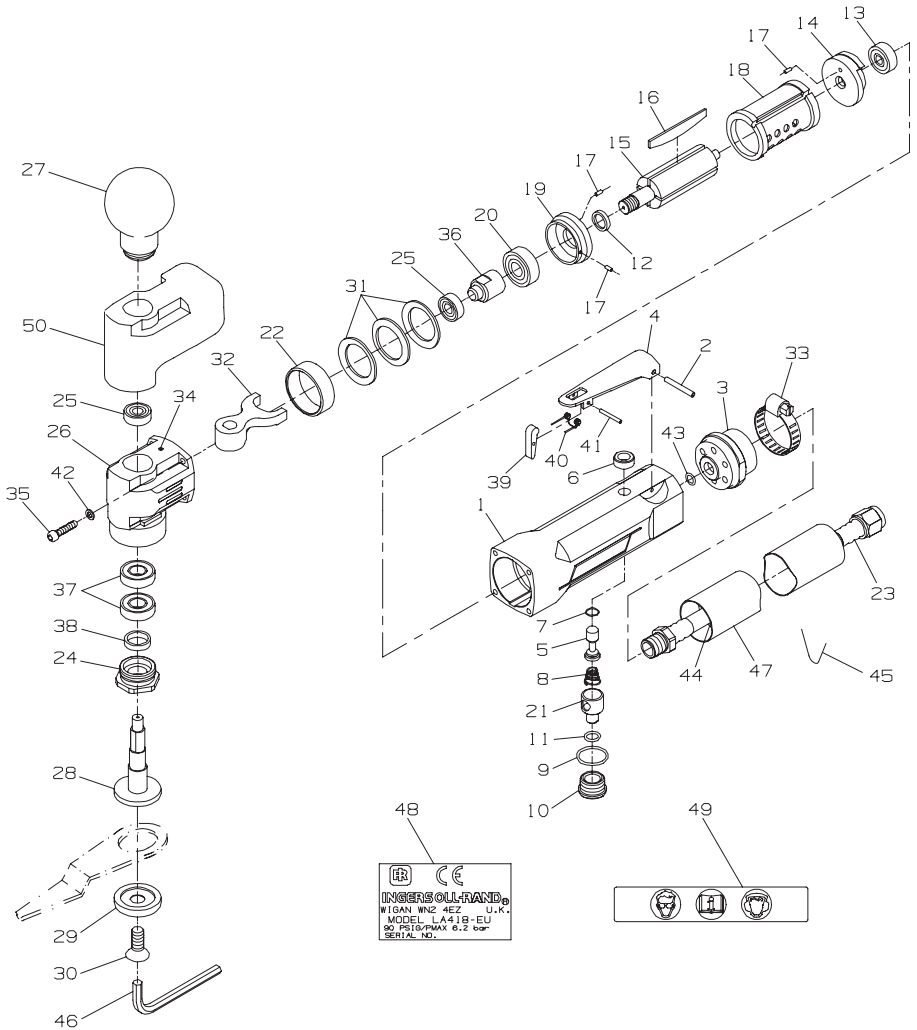


LA418A & LA418A-EU Wind Screen Cutter - Exploded View



(Dwg. TPA1483)

LA418A & LA418A-EU Wind Screen Cutter - Parts List

Item	Part Description	Part Number	Item	Part Description	Part Number
1	Motor Housing	LA418A-40	26	Gearing Housing	LA418A-550
2	Pin	LA418A-56	27	Knob	LA418A-28
3	Air Inlet	LA418A-66	28	Spindle	LA418A-29
4	Throttle Lever	LA418A-273	29	Washer	LA418A-55
5	Valve Stem	LA418A-58	30	Screw	LA418A-31
6	Valve Bushing	LA418A-6	31	Disk Washer (3 Used)	LA418A-32
7	O-ring	LA418A-7	32	Oscillator	LA418A-33
8	Spring	LA418A-8	33	Clamp	LA418A-34
9	O-ring	LA418A-9	34	Oil Cap	LA418A-35
10	Throttle Valve Plug	LA418A-669	35	Screw (4 Used)	LA418A-36
11	O-ring	LA418A-50	36	Crank Shaft	LA418A-37
12	Spacer	LA418A-22	37	Spindle Bearing	LA418A-38
13	Rear Bearing	LA418A-25	38	Seal	LA418A-39
14	Rear End Plate	LA418A-12	39	Latch	LA418A-59
15	Rotor	LA418A-53	40	Spring	LA418A-41
16	Vanes (4 Required)	LA418A-42	41	Pin	LA418A-60
17	Pin	LA418A-23	42	Washer	LA418A-43
18	Cylinder	LA418A-3	43	Packing Ring	LA418A-44
19	Front End Plate	LA418A-11	44	Muffler	LA418A-565
20	Front Bearing	LA418A-24	45	Retainer	LA418A-46
21	Air Regulator	LA418A-21	46	Hex Key	LA418A-61
22	Spacer	LA418A-57	47	Exhaust Hose	LA418A-284
23	Hose	LA418A-51	48	Nameplate	LA418A-301
24	Clamp Nut	LA418A-52	49	Warning Label	LA418A-99
25	Bearing	LA418A-54	50	Cover	LA418A-62

Parts and Maintenance

When the life of the tool has expired, it is recommended that the tool be disassembled, degreased and parts be separated by material so that they can be recycled.

Tool repair and maintenance should only be carried out by an authorized Service Center.

Refer all communications to the nearest **Ingersoll Rand** Office or Distributor.

Related Documentation

For additional information refer to:

Safety Information Manual 16578809.

Product Information Manual 03539095.

Manuals can be downloaded from ingersollrandproducts.com