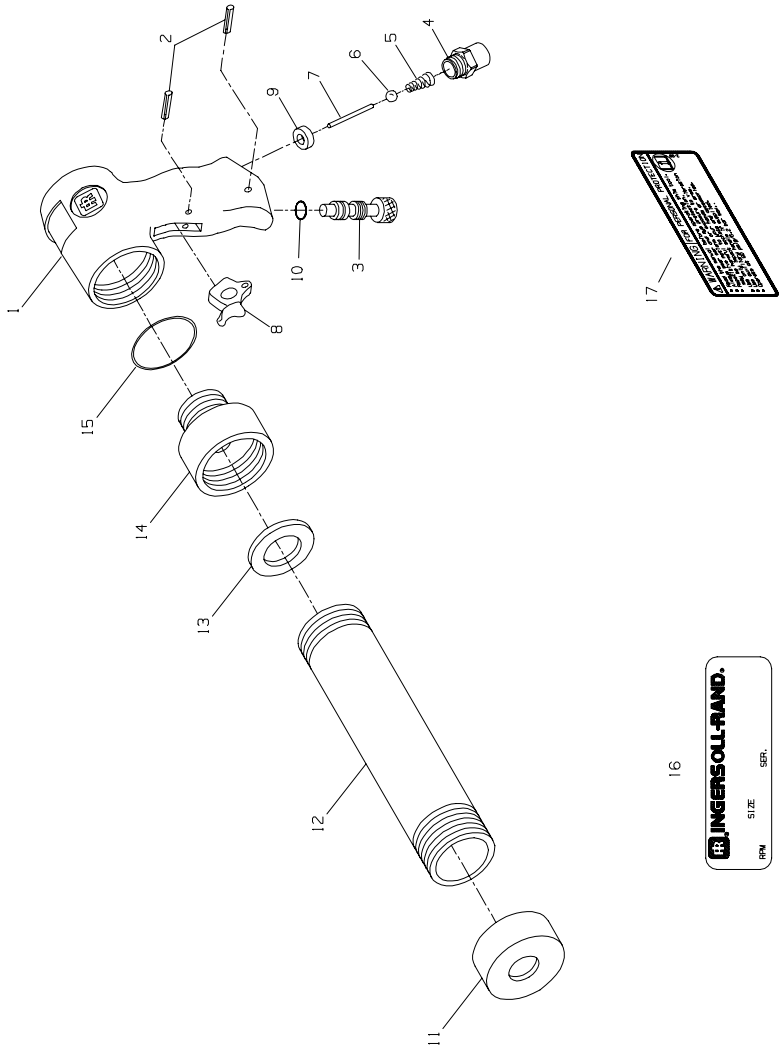


LA428-EU Caulking Gun Exploded Diagram



(Dwg. TPB925)



LA428-EU Caulking Gun Parts List

Item	Part Description	Part Number	Item	Part Description	Part Number
1	Housing	LA428-40	10	O-Ring	LA428-9
2	Pin (2)	LA428-2	11	End Cap	LA428-10
3	Regulator	LA428-4	12	Barrel	LA428-6
4	Inlet Bushing	LA428-565	13	Seal	LA428-20
5	Spring	LA428-5	14	Adapter	LA428-21
6	Valve Ball	LA428-61	15	O-Ring	LA428-22
7	Valve Stem	LA428-7	16	Nameplate	LA428-301
8	Trigger	LA428-93	17	Warning Label	EU-99
9	Ball Seat	LA428-8			

* Not included with tool.

Parts and Maintenance

When the life of the tool has expired, it is recommended that the tool be disassembled, degreased and parts be separated by material so that they can be recycled.

Tool repair and maintenance should only be carried out by an authorized Service Center.

Refer all communications to the nearest **Ingersoll Rand** Office or Distributor.

Related Documentation

For additional information refer to:

Air Caulking Gun Product Safety Information Manual 16576571.

Air Caulking Gun Product Information Manual 03539004.

Manuals can be downloaded from ingersollrandproducts.com