

Product Supplement



QHP-K1100 Quantum Handy-Handle Pendant Control Kit



Save These Instructions

Only allow **Ingersoll Rand** trained Technicians to perform maintenance on this product. For additional information contact **Ingersoll Rand** factory or nearest Distributor.

For additional supporting documentation refer to Table 1 on page 2 for Product Information Manuals. Manuals can be downloaded from www.winchandhoistsolutions.com

The use of other than genuine **Ingersoll Rand** replacement parts may result in safety hazards, decreased performance and increased maintenance and may invalidate all warranties.

Refer all communications to the nearest **Ingersoll Rand** Office or Distributor.

Table 1: Product Manuals

| Publication | Part/Document Number | Publication | Part/Document Number |
|----------------------------|----------------------|--|----------------------|
| Product Safety Manual | 16586075 | Product Parts Information Manual | 16586729 |
| Product Information Manual | 04585147 | Product Maintenance Information Manual | 16586737 |

HANDY-PENDANT REPLACEMENT

Refer to Dwg. TPH1038

WARNING

• **Disconnect power from hoist system.**

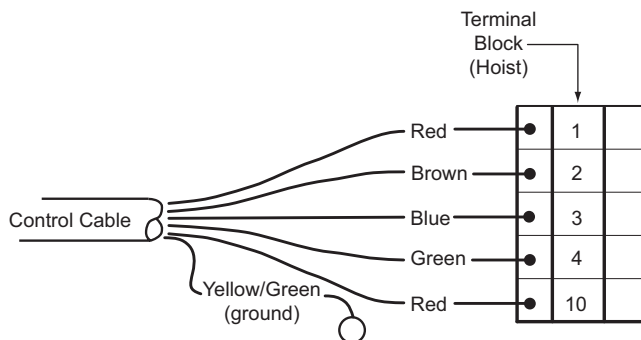
1. Remove bottom block assembly (3).
2. Slide cable connector on to control cable (26) at motor end.
3. Place load chain through middle of coiled control cable. Slide control cable up to motor. Temporarily fasten control cable to chain with tape or string.
4. Remove cover on hoist.
5. Note current pendant control wire connections on terminal block. Disconnect wires and remove old control cable with cable connector.
6. Insert new cable connector with locknut (this one is a 90 degree elbow) into hoist body and twist until tight. Do not tighten with locknut at this time.
7. Push control cable (26) wire ends through (29) connector until about 3/4 inch (19 mm) of cable covering is exposed inside hoist.
8. Tighten gland nut on connector.
9. Twist cable connector until it is pointing in direction of control cable coils and then tighten locknut.
10. Connect new control cable (26) wires to terminal block (as noted earlier).
11. Replace cover on hoist. Release control cable from chain.
12. Push control cable up load chain (from load end) about 18 inches (457 mm) and temporarily fasten.
13. Place half of the bottom block assembly (3) onto end of load chain and insert pendant connector (27). Clamp other side of chain connector into place and fasten with screws.
14. Remove screws and lockwashers from top of pendant body (5).
15. Lift pendant assembly up and place socket on top of pendant body(5) and into connector (27).
16. Insert screws and lockwashers and tighten.
17. Remove screws and lockwashers from bottom socket of pendant body (5).
18. Insert load hook into socket. Orient hook throat to the position best suited for operation. Insert screws and lockwashers and tighten.

CAUTION

• **Electrical connections should be performed only by licensed electricians.**

Connecting Control Cable

1. Remove cable connector cap, rubber grommet and plastic washer.
2. Screw cable connector body into pendant body, when strain relief body is pointed straight up, use locknut to tighten.
3. Free control cable from chain. Place cable connector cap on control cable followed by rubber grommet and plastic washer.
4. Remove screws and lockwashers, carefully remove switch cover.
5. Push control cable wire ends through connector until about 3/4 inch (19 mm) of cable covering is exposed.
6. Tighten gland nut on connector
7. Insert screw through ground (earth tab, ground [earth]) wire eyelet and into pendant body then tighten.
8. Connect control cable wires to terminal block. Refer to Dwg. MHP1067.



(Dwg. MHP1067)

9. Place gasket over rear access hole followed by cover.
10. Insert screws and tighten.

Adjusting Height of Limit Stop

1. Operate Handy-Pendant and raise hook to highest position that it should go without crushing the control cable. Refer to Product Information Manual.
2. Place chain stopper (1) back on as shown in Product Parts Manual.

Testing Pendant

1. Turn on power to hoist
2. Depress upper part of control levers and observe movement of load hook.
3. Depress lower part of control levers and observe movement of load hook. If hook movement does not correspond to lever direction, recheck all electrical connections.
4. Depress emergency stop button, Depress each of the levers one at a time and observe. No hook movement should be possible. Release emergency stop button by twisting.

Lubrication

To ensure continued satisfactory operation of the hoist and all of the components, all points requiring lubrication must be serviced with the correct lubrication at the proper time interval as indicated for each assembly. Correct lubrication is one of the most important factors in maintaining efficient operation.

The lubrication intervals recommended are based on intermittent operation of the hoist eight hours each day, five days per week. If the hoist is operated almost continuously or more than the eight hours each day, more frequent lubricant will be required. The lubricant types are based on operation in an environment relatively free of dust moisture, and corrosive fumes. Use only those lubricants recommended. Other lubricants may affect the performance of the hoist. Approval for the use of other lubricants must be obtained from your Ingersoll Rand technical support or distributor. Failure to provide proper lubricant may result in damage to the hoist and or/its associated components.

 **Lubrication Grease:**

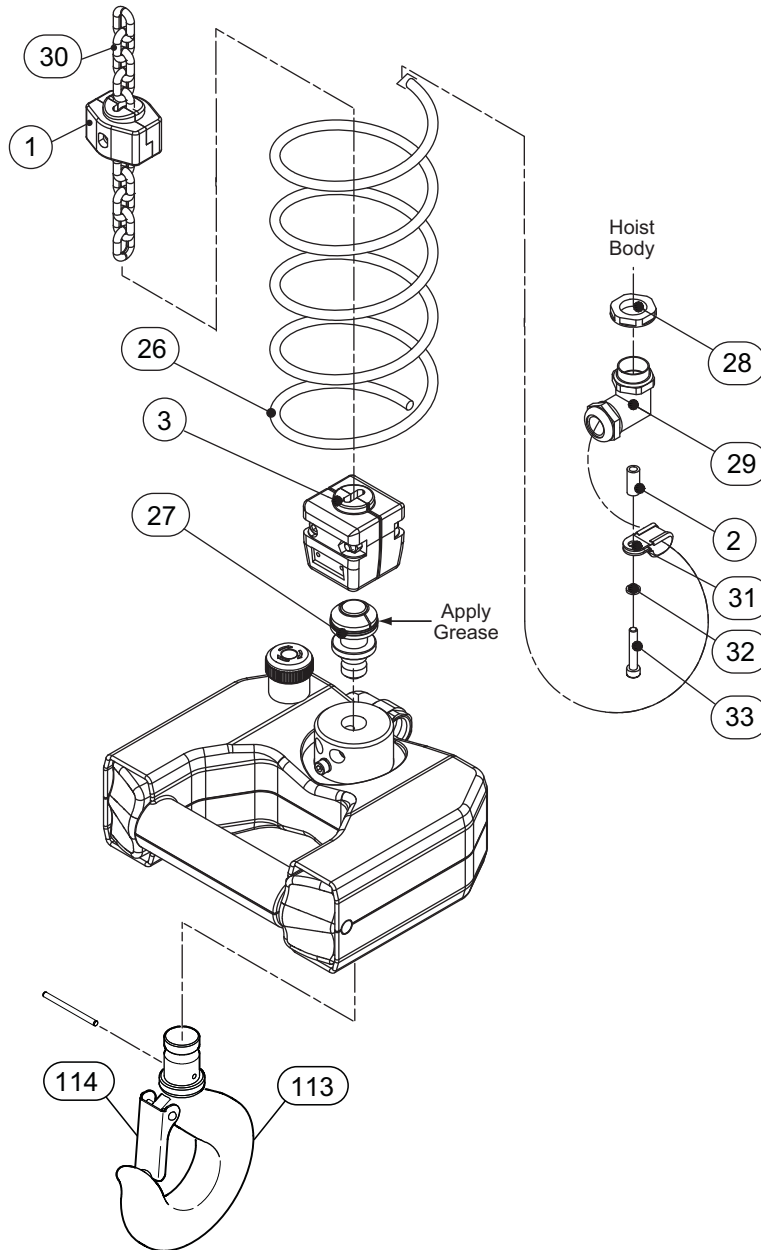
Strub N1424; Type DIN 51502: GP OM-20

Inspection

Refer to Product Information and Maintenance Manuals for frequent and periodic inspection schedules.

If external evidence indicates the need, disassembly. Replace any worn or damaged parts. Clean, lubricate and reassemble.

HANDY-PENDANT ASSEMBLY DRAWING AND PARTS LIST



(Dwg. 9401_4033_3IR)

| Item No. | Description of Part | Total Qty | Part Number | Item No. | Description of Part | Total Qty | Part Number |
|----------|--------------------------|-----------|-------------|----------|----------------------|-----------|-----------------|
| --- | Handy-Pendant Assembly * | 1 | 04565016 | 29 | Connector | 1 | 9055.3116 |
| 1 | Chain Stopper Assembly | 1 | 9216.3021.3 | 30 | Load Chain | ft | Contact Factory |
| 2 | Spacer | 1 | 9215.3129.4 | 31 | Bracket | 1 | 9031.8002 |
| 3 | Bottom Block Assembly | 1 | 9216.3131.3 | 32 | Washer | 1 | 9031.3902 |
| 26 | Control Cable | 1 | 9210.4014.4 | 33 | Capscrew | 1 | 9030.0267 |
| 27 | Pendant Connector | 1 | 9401.4027.4 | 113 | Bottom Hook Assembly | 1 | 10580645 |
| 28 | Nut | 1 | 9055.4012 | 114 | Hook Latch Kit | 1 | 71275275 |

* Includes items 1 - 3, 26 - 29, 31 - 33, 113 and 114

