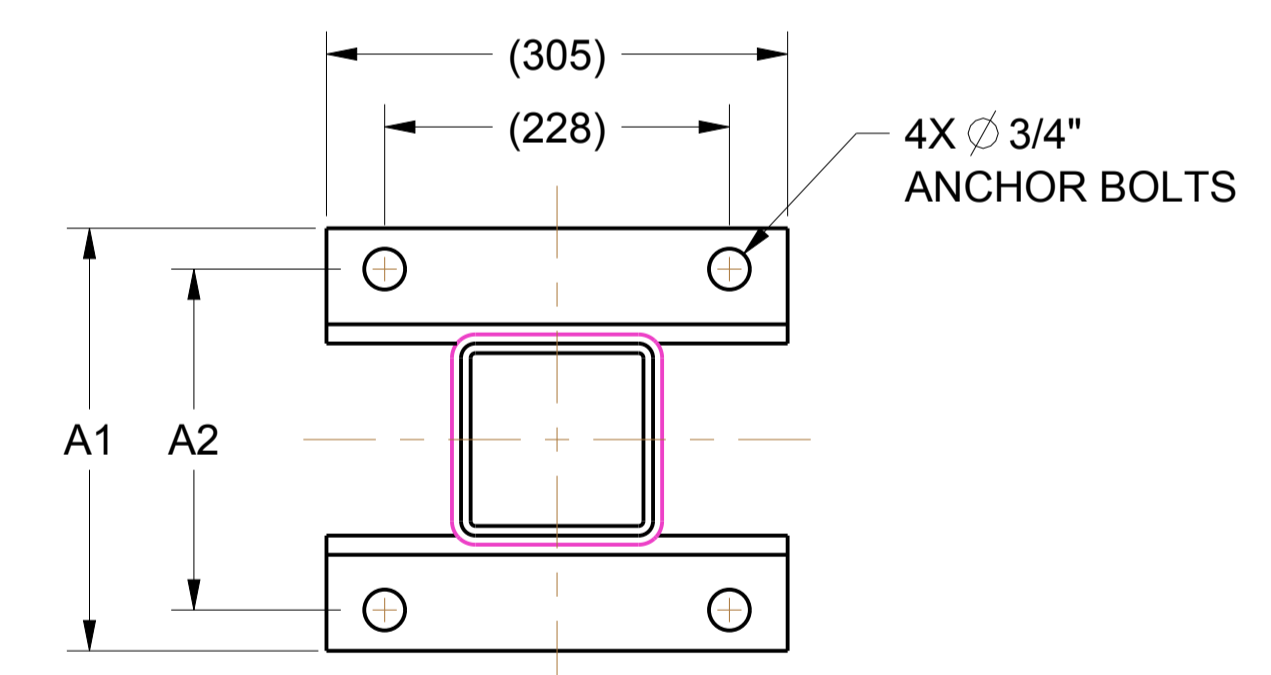


REVISIONS					
ZONE	REV	ECN	DESCRIPTION	DATE	APPD
	A		ORIGINAL RELEASE	02-13-13	M.GUPTA AKB

BILL OF MATERIAL					
PART	ITEM	AMT	DESCRIPTION		
-	1	4	COLUMN WELDMENT		
-	2	2	HEADER BEAM		
*	3	4	COLUMN TO BEAM CONNECTOR KIT		
24308157	4	1	PRODUCT INFORMATION MANUAL- FREE STANDING WORKSTATION CRANES		
71341101	5	1	PRODUCT INFORMATION MANUAL - Z RAIL ALUMINUM AND STEEL OVERHEAD RAIL SYSTEM		
16600470	6	1	MAINTENANCE INFORMATION MANUAL - Z RAIL ALUMINUM AND STEEL OVERHEAD RAIL SYSTEM		
16600462	7	1	PARTS INFORMATION MANUAL - Z RAIL ALUMINUM AND STEEL OVERHEAD RAIL SYSTEM		
16600454	8	1	SAFETY INFORMATION MANUAL - Z RAIL ALUMINUM AND STEEL OVERHEAD RAIL SYSTEM PRODUCT		

* DETAIL IS GIVEN IN SHEET 2 & 3.

NOTES	
1	ALL DIMENSIONS ARE IN mm DRAWING TOLERANCE : UNLESS OTHERWISE SPECIFIED ±1.5mm
2	ACTUAL BEAM UNDERCLEARANCE MAY VARY DEPENDING ON RAIL TYPE, HANGERS AND ENDTRUCKS.
3	INGERSOLL RAND ASSUMES NO RESPONSIBILITY FOR THE CONDITIONS OF THE MOUNTING SURFACE. CONSULT A REGISTERED STRUCTURAL ENGINEER BEFORE INSTALLING THE RAIL SYSTEM.
4	ELEVATION DIMENSIONS ARE NOMINAL TAKEN FROM THE BOTTOM OF COLUMN BASEPLATE AND DO NOT ACCOUNT FOR GROUT SHIMS OR ANY OTHER TYPE OF LEVELLING METHOD.
5	FOR TOP STEEL DIMENSION SEE SHEET 2 & 3.
6	USE COLUMN WELDMENT BASE AS A GUIDE TO DRILL HOLES IN CONCRETE FLOOR FOR ANCHORING

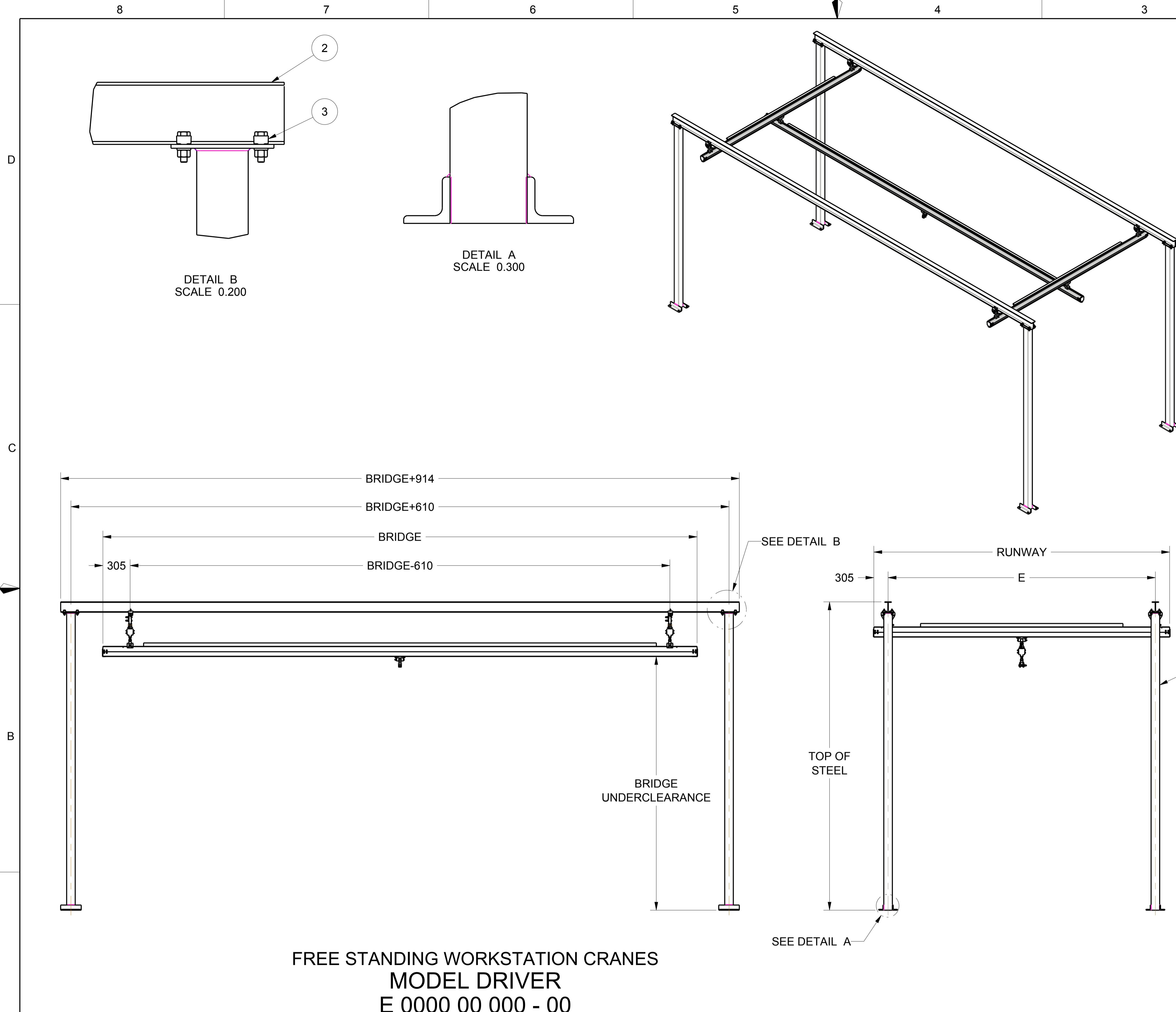


BASE PLATE DETAILS		
COLUMN SIZE (Inch)	A1 (mm)	A2 (mm)
3 X 3	229	175
3.5 X 3.5	241	187
4 X 4	254	200
5 X 5	279	225

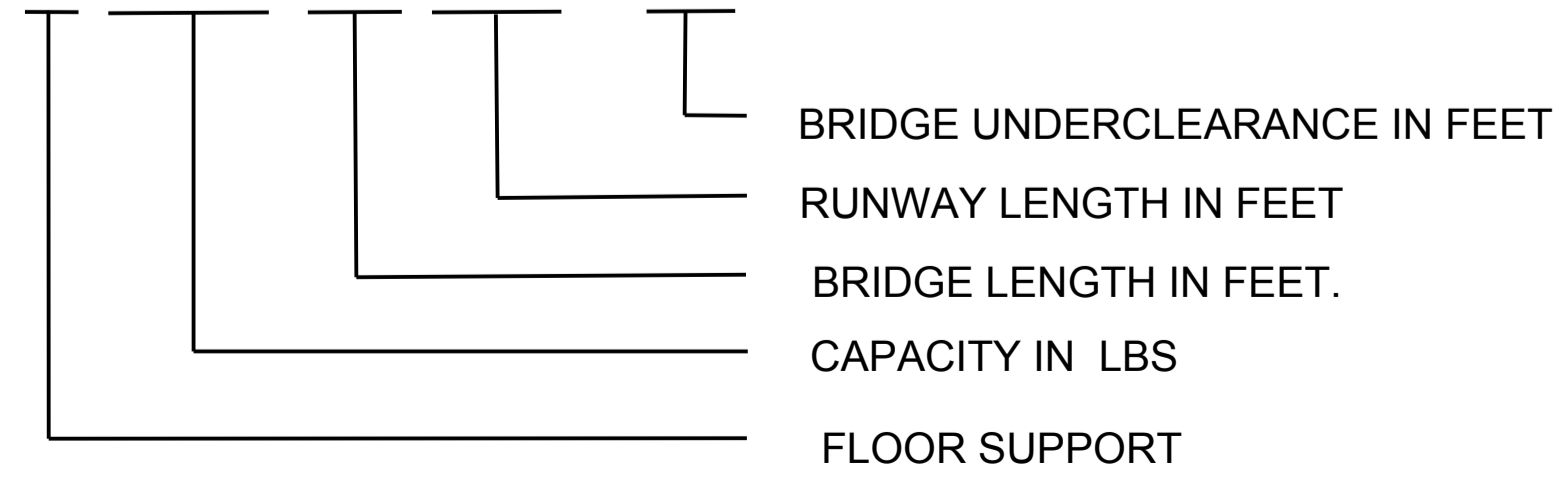
CUSTOMER COPY
SEND THIS PRINT WITH FREE STANDING WORKSTATION CRANES TO CUSTOMER

FREE STANDING WORKSTATION CRANE 4 COLUMN

SIZE: A1	ESTIMATED WEIGHT (KG UNLESS OTHERWISE SPECIFIED):	DWG NO: 24302499	REV: A
SCALE: 0.03	UNIT: MM	SHEET: 1 OF 3	



**FREE STANDING WORKSTATION CRANES
MODEL DRIVER
E 0000 00 000 - 00**



WARNING: THE EXPORT OR REEXPORT OF THIS DRAWING OR A PRODUCT PRODUCED BY THIS DRAWING IS SUBJECT TO U.S. EXPORT ADMINISTRATION REGULATIONS AND OTHER APPLICABLE GOVERNMENT RESTRICTIONS OR REGULATIONS.

PROPRIETARY NOTICE
THIS DRAWING CONTAINS CONFIDENTIAL AND TRADE SECRET INFORMATION, IS THE PROPERTY OF INGERSOLL-RAND CO., AND IS GIVEN TO THE RECEIVER IN CONFIDENCE. THE RECEIVER BY RECEPTION AND RETENTION OF THE DRAWING ACCEPTS THE DRAWING IN CONFIDENCE AND AGREES THAT, EXCEPT AS AUTHORIZED IN WRITING BY INGERSOLL-RAND CO. IT WILL (1) NOT USE THE DRAWING OR ANY COPY THEREOF OR THE CONFIDENTIAL OR TRADE SECRET INFORMATION THEREIN; (2) NOT COPY THE DRAWING; (3) NOT DISCLOSE TO OTHERS EITHER THE DRAWING OR THE CONFIDENTIAL OR TRADE SECRET INFORMATION THEREIN; AND (4) UPON COMPLETION OF THE NEED TO RETAIN THE DRAWING, OR UPON DEMAND, RETURN THE DRAWING, ALL COPIES THEREOF, AND ALL MATERIAL COPIED THEREFROM.

DO NOT SCALE DRAWING
DRAWING CONFORMS TO ASME Y14.5M - 1994

CAD GENERATED DRAWING, NO MANUAL REVISIONS ALLOWED

UNLESS OTHERWISE SPECIFIED:
- REMOVE ALL BURRS AND SHARP CORNERS
- WELD SYMBOLS TO BE IN ACCORDANCE WITH ANSI/AWS A2.4

COPYRIGHT © 2013
Ingersoll Rand
ALL RIGHTS RESERVED

THIRD ANGLE PROJECTION	
DRAWN	DATE
M.GUPTA	02-13-13
CHECKED	DATE
KDG	02-13-13
APPROVED	DATE
AKB	02-13-13

DRAWING TYPE: Detail Drawing
NOMENCLATURE:

CAPACITY - 275 lbs


S No.	Kit No.	TOP OF STEEL mm(Feet)	COLUMN SECTION (Inch)	E mm (Feet)	Column to beam connector kit
1	E027505010-10	3954(12.97)	3 X 3	2438 (8)	24303950
2	E027505010-12	4563(14.97)	3 X 3	2438 (8)	24303950
3	E027505010-14	5173(16.97)	3.5 X 3.5	2438 (8)	24303950
4	E027505015-10	3954(12.97)	3 X 3	3962 (13)	24303950
5	E027505015-12	4563(14.97)	3 X 3	3962 (13)	24303950
6	E027505015-14	5173(16.97)	3.5 X 3.5	3962 (13)	24303950
7	E027505020-10	3954(12.97)	3 X 3	5486 (18)	24303950
8	E027505020-12	4563(14.97)	3 X 3	5486 (18)	24303950
9	E027505020-14	5173(16.97)	3.5 X 3.5	5486 (18)	24303950
10	E027508010-10	3954(12.97)	3 X 3	2438 (8)	24303950
11	E027508010-12	4563(14.97)	3 X 3	2438 (8)	24303950
12	E027508010-14	5173(16.97)	3.5 X 3.5	2438 (8)	24303950
13	E027508015-10	3954(12.97)	3 X 3	3962 (13)	24303950
14	E027508015-12	4563(14.97)	3 X 3	3962 (13)	24303950
15	E027508015-14	5173(16.97)	3.5 X 3.5	3962 (13)	24303950
16	E027508020-10	3954(12.97)	3 X 3	5486 (18)	24303950
17	E027508020-12	4563(14.97)	3 X 3	5486 (18)	24303950
18	E027508020-14	5173(16.97)	3.5 X 3.5	5486 (18)	24303950
19	E027508030-10	3954(12.97)	3 X 3	8534 (28)	24303950
20	E027508030-12	4563(14.97)	3 X 3	8534 (28)	24303950
21	E027508030-14	5173(16.97)	3.5 X 3.5	8534 (28)	24303950
22	E027510010-10	3954(12.97)	3 X 3	2438 (8)	24303950
23	E027510010-12	4563(14.97)	3 X 3	2438 (8)	24303950
24	E027510010-14	5173(16.97)	3.5 X 3.5	2438 (8)	24303950
25	E027510015-10	3954(12.97)	3 X 3	3962 (13)	24303950
26	E027510015-12	4563(14.97)	3 X 3	3962 (13)	24303950
27	E027510015-14	5173(16.97)	3.5 X 3.5	3962 (13)	24303950
28	E027510020-10	3954(12.97)	3 X 3	5486 (18)	24303950
29	E027510020-12	4563(14.97)	3 X 3	5486 (18)	24303950
30	E027510020-14	5173(16.97)	3.5 X 3.5	5486 (18)	24303950
31	E027510030-10	3954(12.97)	3 X 3	8534 (28)	24303950
32	E027510030-12	4563(14.97)	3 X 3	8534 (28)	24303950
33	E027510030-14	5173(16.97)	3.5 X 3.5	8534 (28)	24303950
34	E027515010-10	3954(12.97)	3 X 3	2438 (8)	24303950
35	E027515010-12	4563(14.97)	3 X 3	2438 (8)	24303950
36	E027515010-14	5173(16.97)	3.5 X 3.5	2438 (8)	24303950
37	E027515015-10	3954(12.97)	3 X 3	3962 (13)	24303950
38	E027515015-12	4563(14.97)	3 X 3	3962 (13)	24303950
39	E027515015-14	5173(16.97)	3.5 X 3.5	3962 (13)	24303950
40	E027515020-10	3954(12.97)	3 X 3	5486 (18)	24303950
41	E027515020-12	4563(14.97)	3 X 3	5486 (18)	24303950
42	E027515020-14	5173(16.97)	3.5 X 3.5	5486 (18)	24303950
43	E027515030-10	3954(12.97)	3 X 3	8534 (28)	24303950
44	E027515030-12	4563(14.97)	3 X 3	8534 (28)	24303950
45	E027515030-14	5173(16.97)	3.5 X 3.5	8534 (28)	24303950
46	E027521010-10	3954(12.97)	3 X 3	2438 (8)	24303950
47	E027521010-12	4563(14.97)	3 X 3	2438 (8)	24303950
48	E027521010-14	5173(16.97)	3.5 X 3.5	2438 (8)	24303950
49	E027521015-10	3954(12.97)	3 X 3	3962 (13)	24303950
50	E027521015-12	4563(14.97)	3 X 3	3962 (13)	24303950
51	E027521015-14	5173(16.97)	3.5 X 3.5	3962 (13)	24303950
52	E027521020-10	3954(12.97)	3 X 3	5486 (18)	24303950
53	E027521020-12	4563(14.97)	3 X 3	5486 (18)	24303950
54	E027521020-14	5173(16.97)	3.5 X 3.5	5486 (18)	24303950
55	E027521030-10	3954(12.97)	3 X 3	8534 (28)	24303950

CAPACITY - 275 lbs

S No.	Kit No.	TOP OF STEEL mm(Feet)	COLUMN SECTION (Inch)	E mm (Feet)	Column to beam connector kit
56	E027521030-12	4563(14.97)	3 X 3	8534 (28)	24303950
57	E027521030-14	5173(16.97)	3.5 X 3.5	8534 (28)	24303950
58	E027530010-10	3954(12.97)	3 X 3	2438 (8)	24303950
59	E027530010-12	4563(14.97)	3 X 3	2438 (8)	24303950
60	E027530010-14	5173(16.97)	3.5 X 3.5	2438 (8)	24303950
61	E027530015-10	3954(12.97)	3 X 3	3962 (13)	24303950
62	E027530015-12	4563(14.97)	3 X 3	3962 (13)	24303950
63	E027530015-14	5173(16.97)	3.5 X 3.5	3962 (13)	24303950
64	E027530020-10	3954(12.97)	3 X 3	5486 (18)	24303950
65	E027530020-12	4563(14.97)	3 X 3	5486 (18)	24303950
66	E027530020-14	5173(16.97)	3.5 X 3.5	5486 (18)	24303950
67	E027530030-10	3954(12.97)	3 X 3	8534 (28)	24303950
68	E027530030-12	4563(14.97)	3 X 3	8534 (28)	24303950
69	E027530030-14	5173(16.97)	3.5 X 3.5	8534 (28)	24303950

CAPACITY - 550 lbs

S No.	Kit No.	TOP OF STEEL mm(Feet)	COLUMN SECTION (Inch)	E mm (Feet)	Column to beam connector kit
1	E055005010-10	3954(12.97)	3 X 3	2438 (8)	24303950
2	E055005010-12	4563(14.97)	3 X 3	2438 (8)	24303950
3	E055005010-14	5173(16.97)	3.5 X 3.5	2438 (8)	24303950
4	E055005015-10	3954(12.97)	3 X 3	3962 (13)	24303950
5	E055005015-12	4563(14.97)	3 X 3	3962 (13)	24303950
6	E055005015-14	5173(16.97)	3.5 X 3.5	3962 (13)	24303950
7	E055008010-10	3954(12.97)	3 X 3	2438 (8)	24303950
8	E055008010-12	4563(14.97)	3 X 3	2438 (8)	24303950
9	E055008010-14	5173(16.97)	3.5 X 3.5	2438 (8)	24303950
10	E055008015-10	3954(12.97)	3 X 3	3962 (13)	24303950
11	E055008015-12	4563(14.97)	3 X 3	3962 (13)	24303950
12	E055008015-14	5173(16.97)	3.5 X 3.5	3962 (13)	24303950
13	E055008020-10	3954(12.97)	3 X 3	5486 (18)	24303950
14	E055008020-12	4563(14.97)	3 X 3	5486 (18)	24303950
15	E055008020-14	5173(16.97)	3.5 X 3.5	5486 (18)	24303950
16	E055010010-10	3954(12.97)	3 X 3	2438 (8)	24303950
17	E055010010-12	4563(14.97)	3 X 3	2438 (8)	24303950
18	E055010010-14	5173(16.97)	3.5 X 3.5	2438 (8)	24303950
19	E055010015-10	3954(12.97)	3 X 3	3962 (13)	24303950
20	E055010015-12	4563(14.97)	3 X 3	3962 (13)	24303950
21	E055010015-14	5173(16.97)	3.5 X 3.5	3962 (13)	24303950
22	E055010020-10	3954(12.97)	3 X 3	5486 (18)	24303950
23	E055010020-12	4563(14.97)	3 X 3	5486 (18)	24303950
24	E055010020-14	5173(16.97)	3.5 X 3.5	5486 (18)	24303950
25	E055015010-10	3954(12.97)	3 X 3	2438 (8)	24303950
26	E055015010-12	4563(14.97)	3 X 3	2438 (8)	24303950
27	E055015010-14	5173(16.97)	3.5 X 3.5	2438 (8)	24303950
28	E055015015-10	3954(12.97)	3 X 3	3962 (13)	24303950
29	E055015015-12	4563(14.97)	3 X 3	3962 (13)	24303950
30	E055015015-14	5173(16.97)	3.5 X 3.5	3962 (13)	24303950
31	E055015020-10	3954(12.97)	3 X 3	5486 (18)	24303950
32	E055015020-12	4563(14.97)	3 X 3	5486 (18)	24303950
33	E055015020-14	5173(16.97)	3.5 X 3.5	5486 (18)	24303950
34	E055015030-10	3954(12.97)	3 X 3	8534 (28)	24303950
35	E055015030-12	4563(14.97)	3 X 3	8534 (28)	24303950
36	E055015030-14	5173(16.97)	3.5 X 3.5	8534 (28)	24303950
37	E055021010-10	3954(12.97)	3 X 3	2438 (8)	24303950
38	E055021010-12	4563(14.97)	3 X 3	2438 (8)	24303950
39	E055021010-14	5173(16.97)	3.5 X 3.5	2438 (8)	24303950
40	E055021015-10	3954(12.97)	3 X 3	3962 (13)	24303950
41	E055021015-12	4563(14.97)	3 X 3	3962 (13)	24303950
42	E055021015-14	5173(16.97)	3.5 X 3.5	3962 (13)	24303950
43	E055021020-10	3954(12.97)	3 X 3	5486 (18)	24303950
44	E055021020-12	4563(14.97)	3 X 3	5486 (18)	24303950
45	E055021020-14	5173(16.97)	3.5 X 3.5	5486 (18)	24303950
46	E055021030-10	3954(12.97)	3 X 3	8534 (28)	24303950
47	E055021030-12	4563(14.97)	3 X 3	8534 (28)	24303950
48	E055021030-14	5173(16.97)	3.5 X 3.5	8534 (28)	24303950
49	E055030010-10	3958(12.99)	3 X 3	2438 (8)	47499650001
50	E055030010-12	4567(14.98)	3 X 3	2438 (8)	47499650001
51	E055030010-14	5177(16.98)	3.5 X 3.5	2438 (8)	47499650001
52	E055030015-10	3958(12.99)	3 X 3	3962 (13)	47499650001
53	E055030015-12	4567(14.98)	3 X 3	3962 (13)	47499650001
54	E055030015-14	5177(16.98)	3.5 X 3.5	3962 (13)	47499650001
55	E055030020-10	3958(12.99)	3 X 3	5486 (18)	47499650001
56	E055030020-12	4567(14.98)	3 X 3	5486 (18)	47499650001
57	E055030020-14	5177(16.98)	3.5 X 3.5	5486 (18)	47499650001
58	E055030030-10	3958(12.99)	3 X 3	8534 (28)	47499650001
59	E055030030-12	4567(14.98)	3 X 3	8534 (28)	47499650001
60	E055030030-14	5177(16.98)	3.5 X 3.5	8534 (28)	47499650001


<small>PROPRIETARY NOTICE</small> THIS DRAWING CONTAINS CONFIDENTIAL AND TRADE SECRET INFORMATION IS THE PROPERTY OF INGERSOLL RAND CO. AND IS GIVEN TO THE RECEIVER IN CONFIDENCE. THE RECEIVER BY ACCEPTANCE AND RETENTION OF THIS DRAWING ACCEPTS THE DRAWING IN CONFIDENCE AND AGREES THAT, EXCEPT AS AUTHORIZED IN WRITING BY INGERSOLL RAND CO. IT WILL (1) NOT USE THE DRAWING OR ANY COPY THEREOF OR THE CONFIDENTIAL OR TRADE SECRET INFORMATION THEREIN; (2) NOT COPY THE DRAWING; (3) NOT DISCLOSE TO OTHERS EITHER THE DRAWING OR THE CONFIDENTIAL OR TRADE SECRET INFORMATION THEREIN; AND (4) UPON COMPLETION OF THE NEED TO RETAIN THE DRAWING OR UPON DEMAND, RETURN THE DRAWING, ALL COPIES THEREOF, AND ALL MATERIAL COPIED THEREFROM.		TITLE FREE STANDING WORKSTATION CRANE 4 COLUMN	
SIZE A1	DWG NO. 24302499	REV A	
SCALE 0.04	SHEET 2 OF 3		

CAPACITY - 1100 lbs

S No.	Kit No.	TOP OF STEEL mm(Feet)	COLUMN SECTION (Inch)	E mm (Feet)	Column to beam connector kit
1	E110005010-10	3954(12.97)	4 x 4	2438 (8)	24303950
2	E110005010-12	4563(14.97)	4 x 4	2438 (8)	24303950
3	E110005010-14	5173(16.97)	5 x 5	2438 (8)	24303950
4	E110005015-10	3954(12.97)	4 x 4	3962 (13)	24303950
5	E110005015-12	4563(14.97)	4 x 4	3962 (13)	24303950
6	E110005015-14	5173(16.97)	5 x 5	3962 (13)	24303950
7	E110008010-10	3954(12.97)	4 x 4	2438 (8)	24303950
8	E110008010-12	4563(14.97)	4 x 4	2438 (8)	24303950
9	E110008010-14	5173(16.97)	5 x 5	2438 (8)	24303950
10	E110008015-10	3954(12.97)	4 x 4	3962 (13)	24303950
11	E110008015-12	4563(14.97)	4 x 4	3962 (13)	24303950
12	E110008015-14	5173(16.97)	5 x 5	3962 (13)	24303950
13	E110008020-10	3954(12.97)	4 x 4	5486 (18)	24303950
14	E110008020-12	4563(14.97)	4 x 4	5486 (18)	24303950
15	E110008020-14	5173(16.97)	5 x 5	5486 (18)	24303950
16	E110010010-10	3954(12.97)	4 x 4	2438 (8)	24303950
17	E110010010-12	4563(14.97)	4 x 4	2438 (8)	24303950
18	E110010010-14	5173(16.97)	5 x 5	2438 (8)	24303950
19	E110010015-10	3954(12.97)	4 x 4	3962 (13)	24303950
20	E110010015-12	4563(14.97)	4 x 4	3962 (13)	24303950
21	E110010015-14	5173(16.97)	5 x 5	3962 (13)	24303950
22	E110010020-10	3954(12.97)	4 x 4	5486 (18)	24303950
23	E110010020-12	4563(14.97)	4 x 4	5486 (18)	24303950
24	E110010020-14	5173(16.97)	5 x 5	5486 (18)	24303950
25	E110015010-10	3954(12.97)	4 x 4	2438 (8)	24303950
26	E110015010-12	4563(14.97)	4 x 4	2438 (8)	24303950
27	E110015010-14	5173(16.97)	5 x 5	2438 (8)	24303950
28	E110015015-10	3954(12.97)	4 x 4	3962 (13)	24303950
29	E110015015-12	4563(14.97)	4 x 4	3962 (13)	24303950
30	E110015015-14	5173(16.97)	5 x 5	3962 (13)	24303950
31	E110015020-10	3954(12.97)	4 x 4	5486 (18)	24303950
32	E110015020-12	4563(14.97)	4 x 4	5486 (18)	24303950
33	E110015020-14	5173(16.97)	5 x 5	5486 (18)	24303950
34	E110021010-10	3954(12.97)	4 x 4	2438 (8)	24303950
35	E110021010-12	4563(14.97)	4 x 4	2438 (8)	24303950
36	E110021010-14	5173(16.97)	5 x 5	2438 (8)	24303950
37	E110021015-10	3954(12.97)	4 x 4	3962 (13)	24303950
38	E110021015-12	4563(14.97)	4 x 4	3962 (13)	24303950
39	E110021015-14	5173(16.97)	5 x 5	3962 (13)	24303950
40	E110021020-10	3954(12.97)	4 x 4	5486 (18)	24303950
41	E110021020-12	4563(14.97)	4 x 4	5486 (18)	24303950
42	E110021020-14	5173(16.97)	5 x 5	5486 (18)	24303950

CAPACITY - 2000 lbs

S No.	Kit No.	TOP OF STEEL mm(Feet)	COLUMN SECTION (Inch)	E mm (Feet)	Column to beam connector kit
1	E200005010-10	3954(12.97)	4 x 4	2438 (8)	24303950
2	E200005010-12	4563(14.97)	5 x 5	2438 (8)	24303950
3	E200005010-14	5173(16.97)	5 x 5	2438 (8)	24303950
4	E200008010-10	3954(12.97)	4 x 4	2438 (8)	24303950
5	E200008010-12	4563(14.97)	5 x 5	2438 (8)	24303950
6	E200008010-14	5173(16.97)	5 x 5	2438 (8)	24303950
7	E200008015-10	3954(12.97)	4 x 4	3962 (13)	24303950
8	E200008015-12	4563(14.97)	5 x 5	3962 (13)	24303950
9	E200008015-14	5173(16.97)	5 x 5	3962 (13)	24303950
10	E200010010-10	3954(12.97)	4 x 4	2438 (8)	24303950
11	E200010010-12	4563(14.97)	5 x 5	2438 (8)	24303950
12	E200010010-14	5173(16.97)	5 x 5	2438 (8)	24303950
13	E200010015-10	3954(12.97)	4 x 4	3962 (13)	24303950
14	E200010015-12	4563(14.97)	5 x 5	3962 (13)	24303950
15	E200010015-14	5173(16.97)	5 x 5	3962 (13)	24303950
16	E200015010-10	3954(12.97)	4 x 4	2438 (8)	24303950
17	E200015010-12	4563(14.97)	5 x 5	2438 (8)	24303950
18	E200015010-14	5173(16.97)	5 x 5	2438 (8)	24303950
19	E200015015-10	3954(12.97)	4 x 4	3962 (13)	24303950
20	E200015015-12	4563(14.97)	5 x 5	3962 (13)	24303950
21	E200015015-14	5173(16.97)	5 x 5	3962 (13)	24303950
22	E200021010-10	3958(12.99)	4 x 4	2438 (8)	47499650001
23	E200021010-12	4567(14.98)	5 x 5	2438 (8)	47499650001
24	E200021010-14	5177(16.98)	5 x 5	2438 (8)	47499650001

<small>PROPRIETARY NOTICE</small>		<small>TITLE</small>	
<small>THIS DRAWING CONTAINS CONFIDENTIAL AND TRADE SECRET INFORMATION. IS THE PROPERTY OF INGERSOLL RAND CO. AND IS GIVEN TO THE RECEIVER IN CONFIDENCE. THE RECEIVER BY RECEIPT AND RETENTION OF THE DRAWING ACCEPTS THE DRAWING IN CONFIDENCE AND AGREES THAT, EXCEPT AS AUTHORIZED IN WRITING BY INGERSOLL RAND CO. IT WILL (1) NOT USE THE DRAWING OR ANY COPY THEREOF OR THE CONFIDENTIAL OR TRADE SECRET INFORMATION THEREIN, (2) NOT COPY THE DRAWING, (3) NOT DISCLOSE TO OTHERS EITHER THE DRAWING OR THE CONFIDENTIAL OR TRADE SECRET INFORMATION THEREIN, AND (4) UPON COMPLETION OF THE NEED TO RETAIN THE DRAWING, OR UPON DEMAND, RETURN THE DRAWING, ALL COPIES THEREOF, AND ALL MATERIAL COPIED THEREFROM.</small>		FREE STANDING WORKSTATION CRANE 4 COLUMN	
SIZE A1	DWG NO. 24302499	REV A	
SCALE 0.03	SHEET 3 OF 3		