

8

7

6

5

4

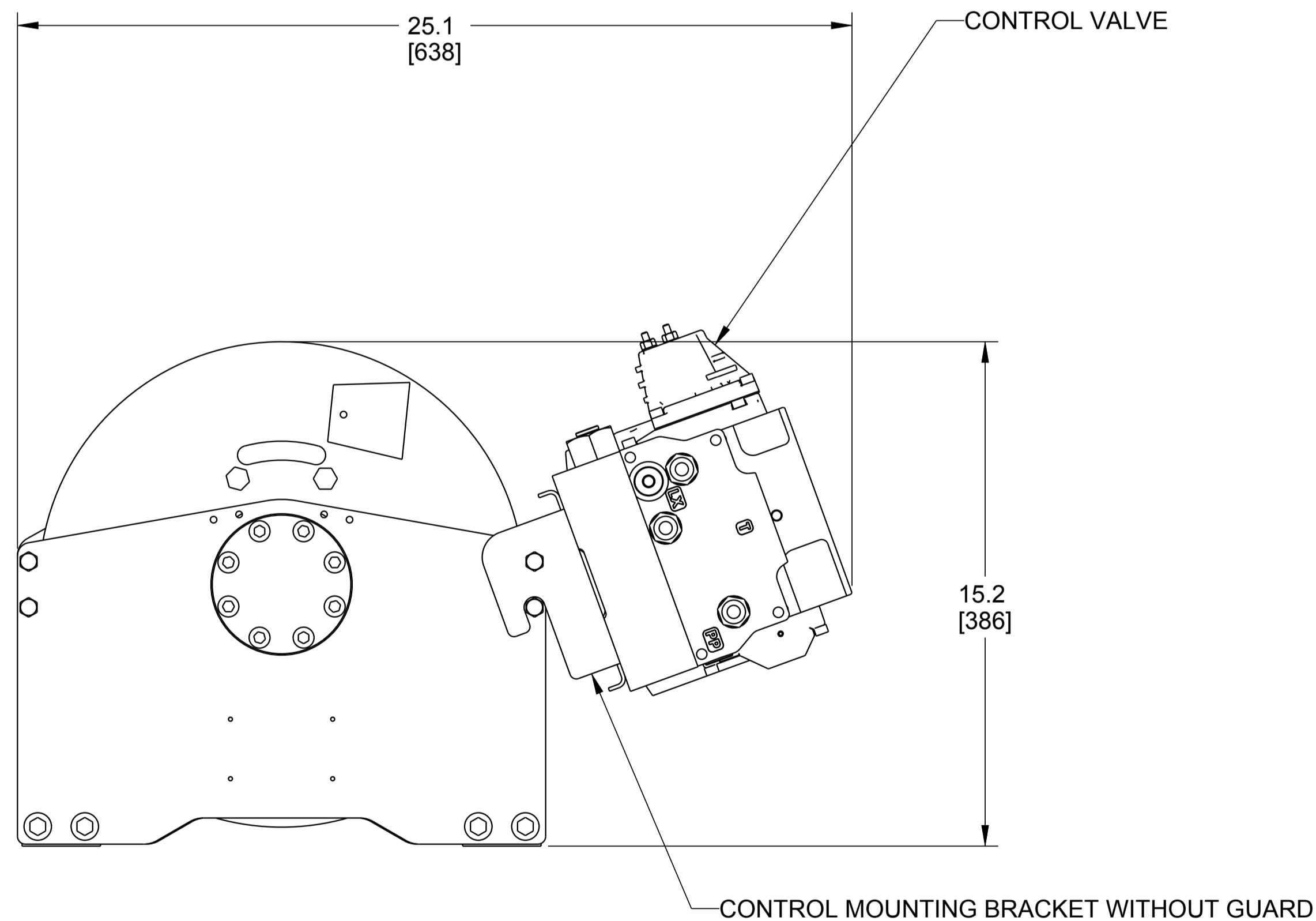
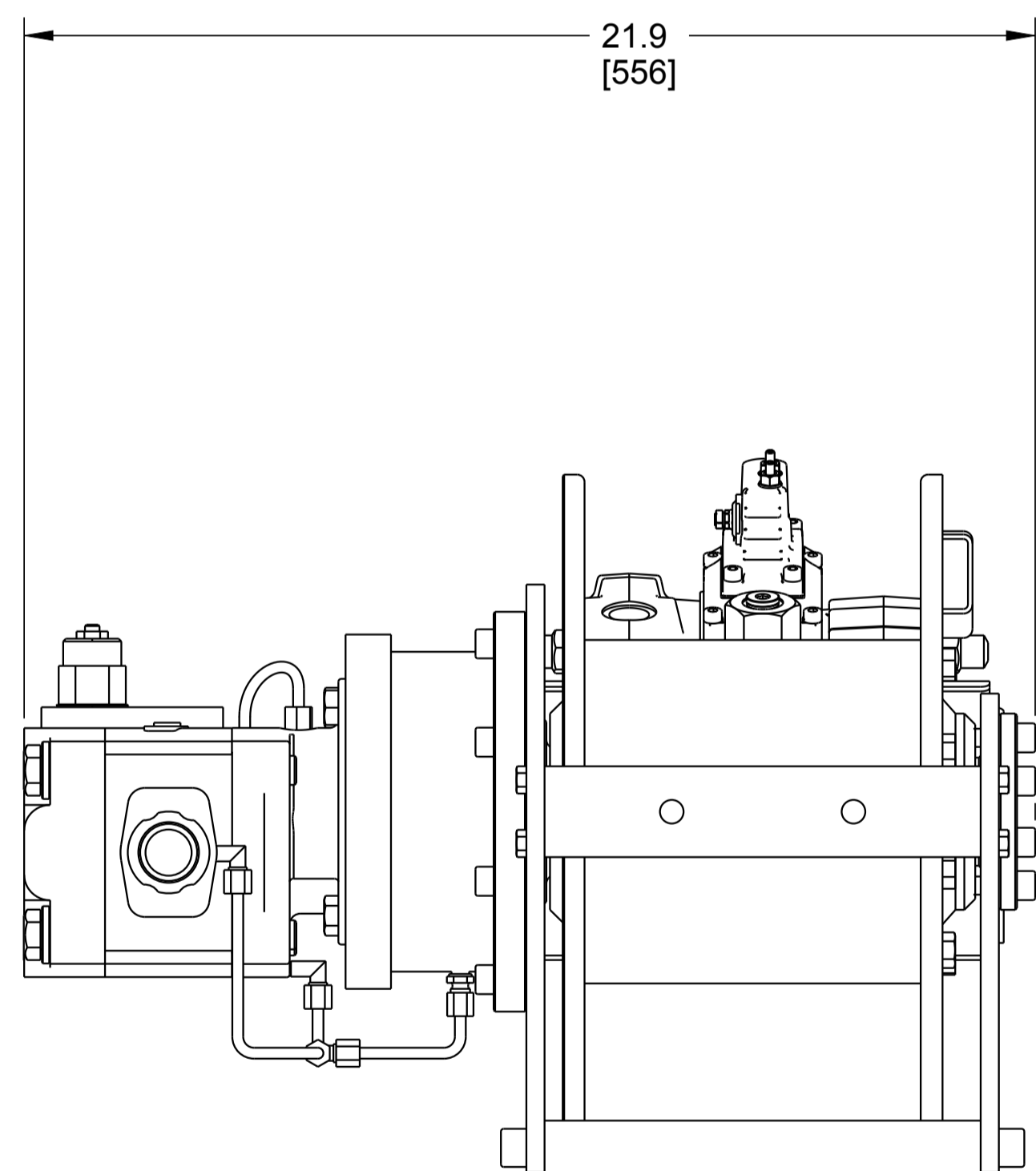
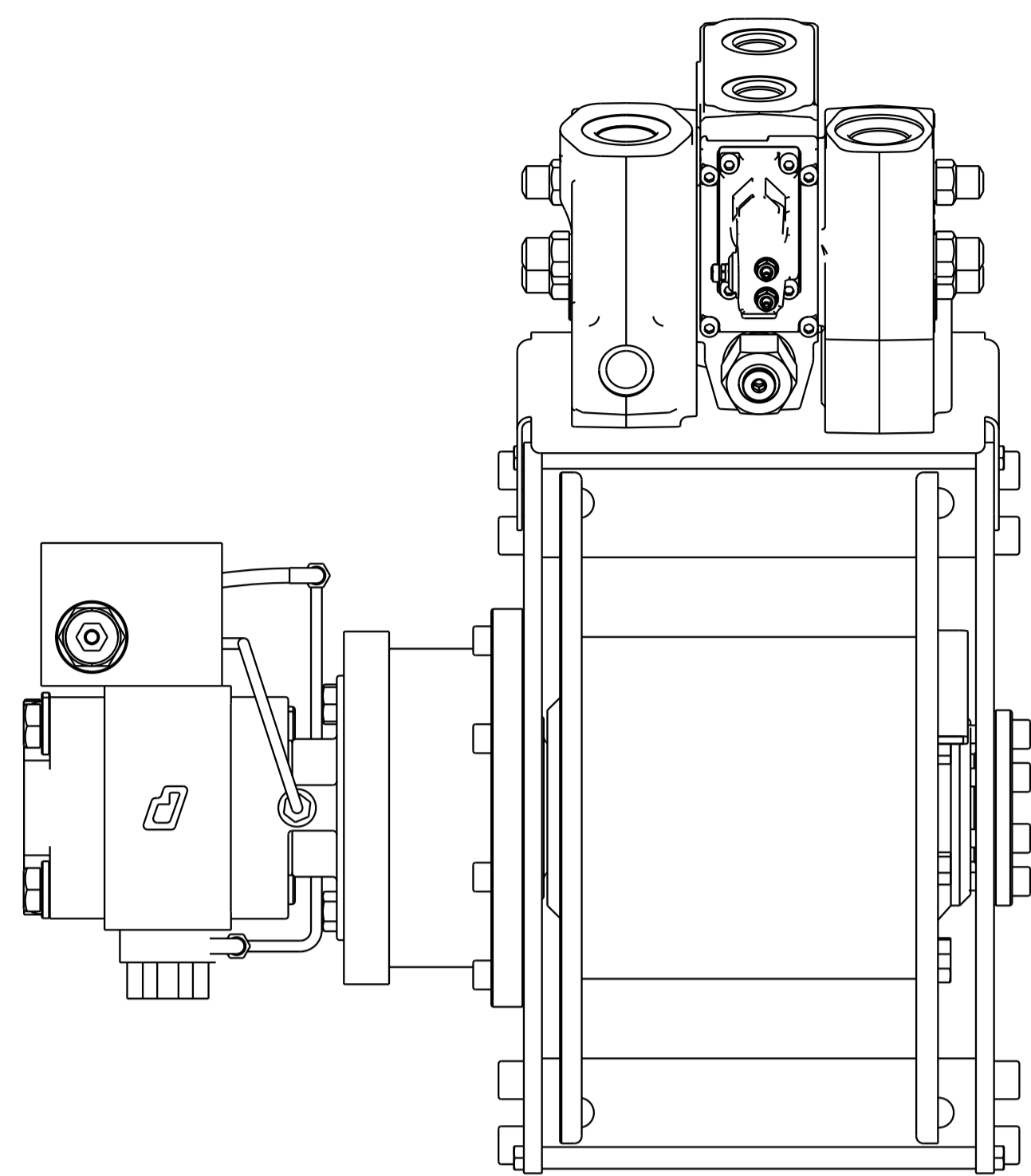
3

2

1

NOTES :  
1. FOR HOSE DIMENSION PLEASE REFER DRAWING SHOWN HF6 WINCH WITH ALL OPTIONS

REVISIONS			DATE	DRAWN	APPROVED
ZONE	REV	ECN	DESCRIPTION		
	A		ORIGINAL RELEASE	02-Jun-17	



WARNING: THE EXPORT OR REEXPORT OF THIS DRAWING OR A PRODUCT PRODUCED BY THIS DRAWING IS SUBJECT TO U.S. EXPORT ADMINISTRATION REGULATIONS AND OTHER APPLICABLE GOVERNMENT RESTRICTIONS OR REGULATIONS.

**PROPRIETARY NOTICE**

THIS DRAWING CONTAINS CONFIDENTIAL AND TRADE SECRET INFORMATION, IS THE PROPERTY OF INGERSOLL-RAND CO., AND IS GIVEN TO THE RECEIVER IN CONFIDENCE. THE RECEIVER BY RECEIPT AND RETENTION OF THE DRAWING ACCEPTS THE DRAWING IN CONFIDENCE AND AGREES THAT, EXCEPT AS AUTHORIZED IN WRITING BY INGERSOLL-RAND CO., IT WILL (1) NOT USE THE DRAWING OR ANY COPY THEREOF OR THE CONFIDENTIAL OR TRADE SECRET INFORMATION THEREIN; (2) NOT COPY THE DRAWING; (3) NOT DISCLOSE TO OTHERS EITHER THE DRAWING OR THE CONFIDENTIAL OR TRADE SECRET INFORMATION THEREIN; AND (4) UPON COMPLETION OF THE NEED TO RETAIN THE DRAWING, OR UPON DEMAND, RETURN THE DRAWING, ALL COPIES THEREOF, AND ALL MATERIAL COPIED THEREFROM.

**DO NOT SCALE DRAWING**  
DRAWING CONFORMS TO ASME Y14.5M - 1994

**CAD GENERATED DRAWING. NO MANUAL REVISIONS ALLOWED**

UNLESS OTHERWISE SPECIFIED:  
- REMOVE ALL BURRS AND SHARP CORNERS  
- WELD SYMBOLS TO BE IN ACCORDANCE WITH ANSI/AWS A2.4

**COPYRIGHT @ 2017**  
Ingersoll Rand  
ALL RIGHTS RESERVED

THIRD ANGLE PROJECTION	
DRAWN BY	DATE
CHECKED	DATE
APPROVED	DATE
DRAWING TYPE	
Detail Drawing	
NOMENCLATURE	

**IR Ingersoll Rand**

**HF6 BARE WINCH WITH CONTROL**

NAME	DWG NO.	REVISION
	<b>47610991001</b>	
SIZE	ESTIMATED WEIGHT (KG UNLESS OTHERWISE SPECIFIED)	PART NO.
<b>A1</b>	<b>0.0 kilogram</b>	
SCALE	MODEL	SHEET
0.30		1 of 1

8

7

6

5

4

3

2

1