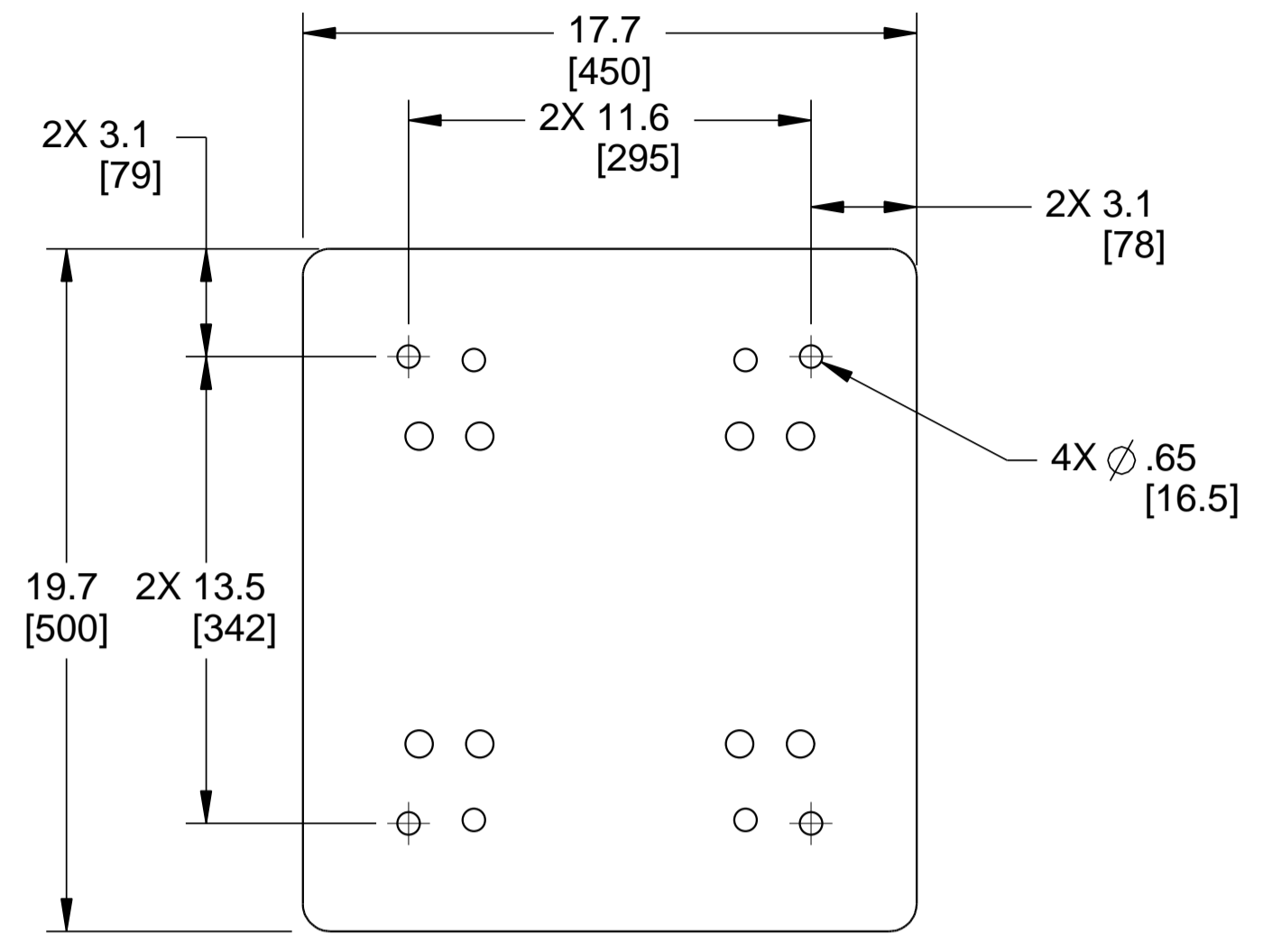
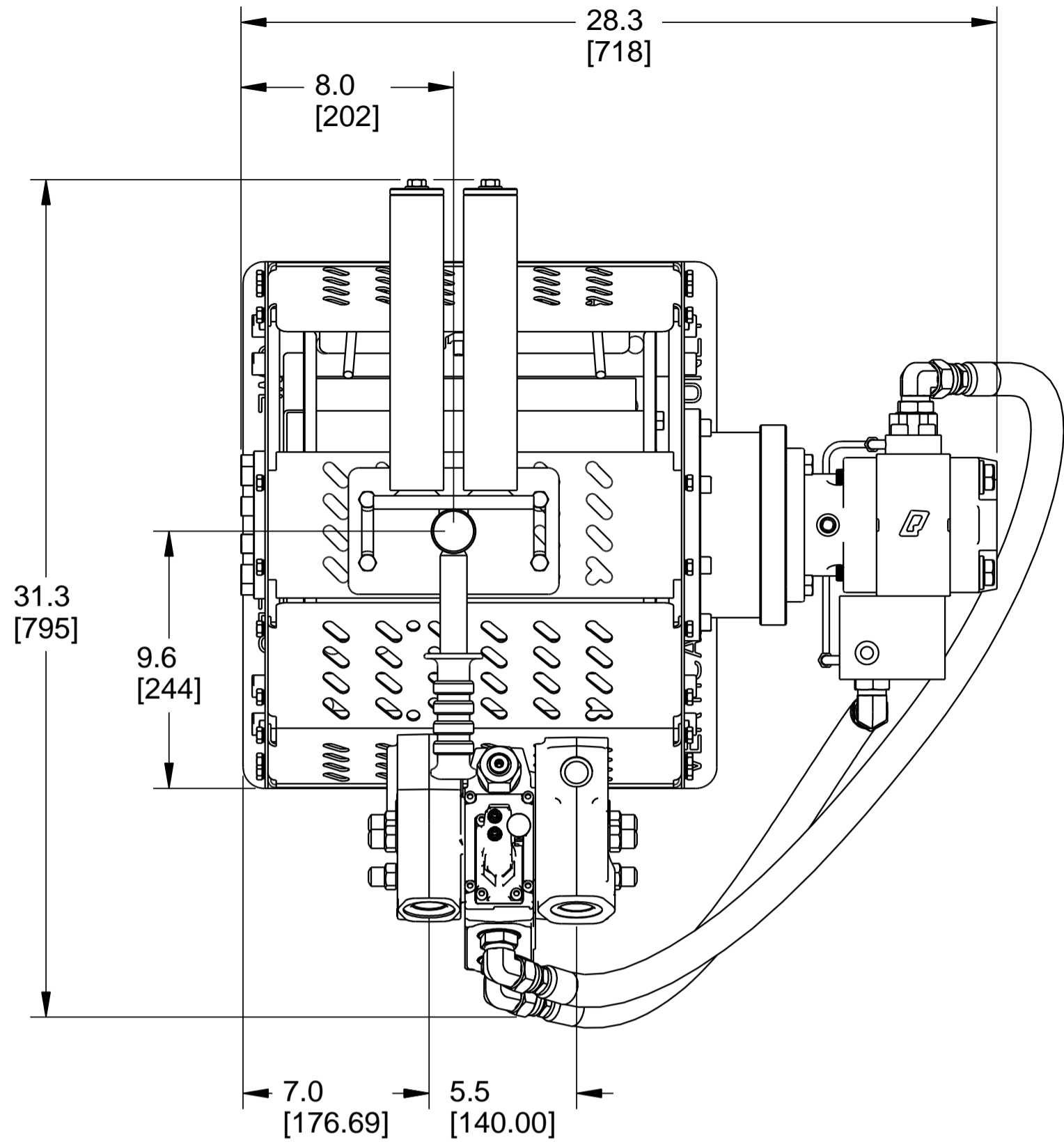
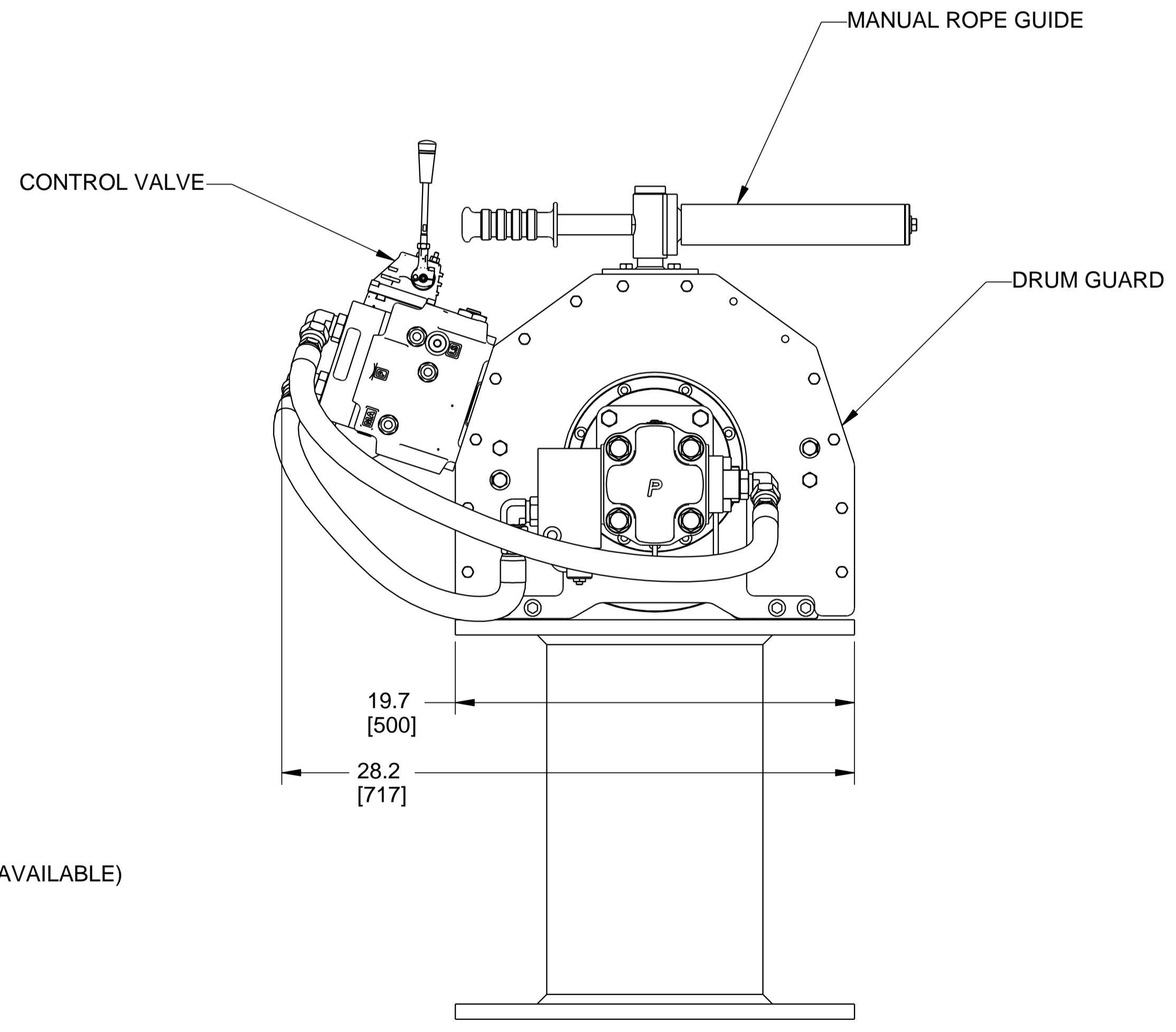
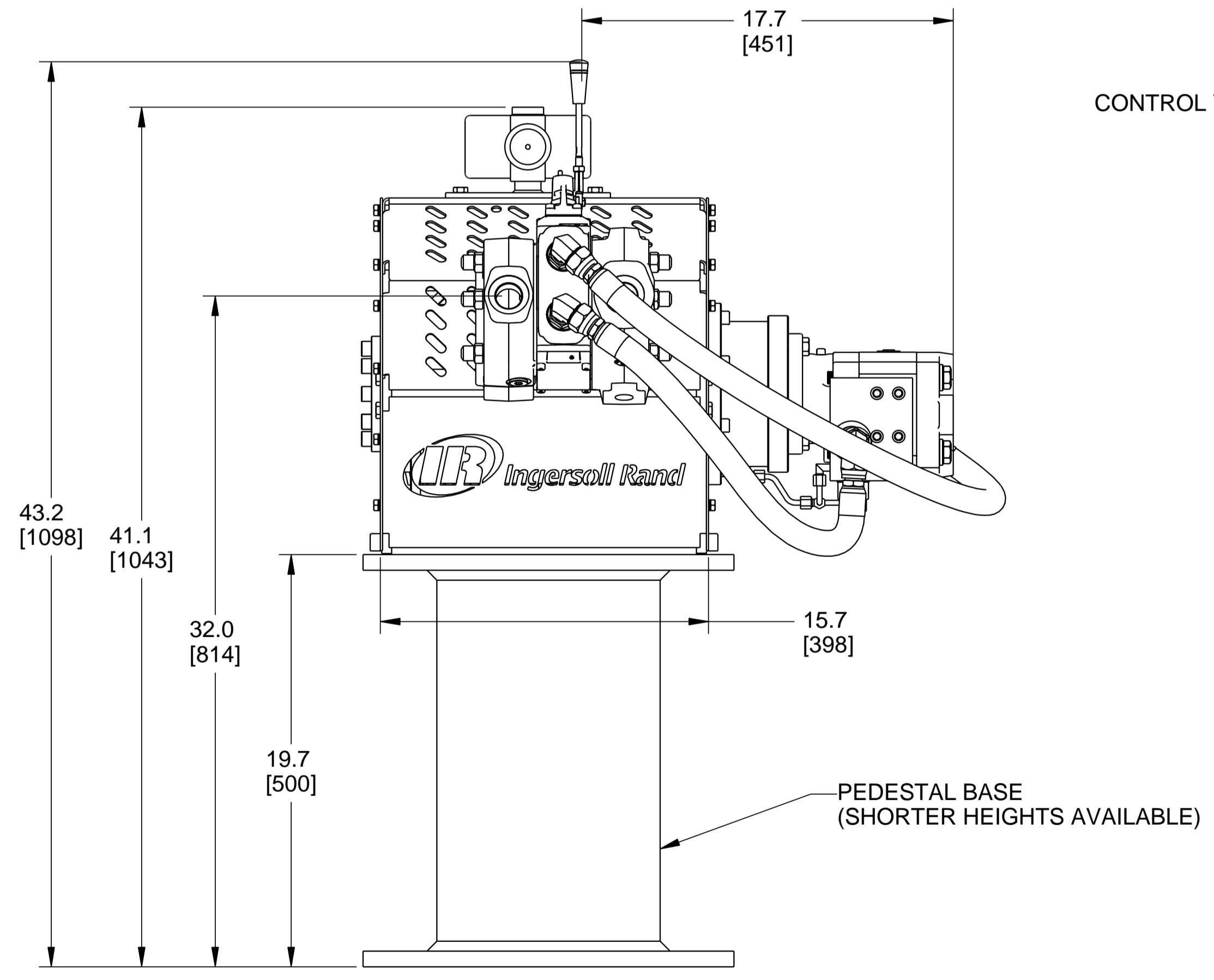


NOTES :

REVISIONS					
ZONE	REV	ECN	DESCRIPTION	DATE	APPROVED
A			ORIGINAL RELEASE	05-Apr-17	



PEDESTAL BASE MOUNTING DIMENSIONS



WARNING: THE EXPORT OR REEXPORT OF THIS DRAWING OR A PRODUCT PRODUCED BY THIS DRAWING IS SUBJECT TO U.S. EXPORT ADMINISTRATION REGULATIONS AND OTHER APPLICABLE GOVERNMENT RESTRICTIONS OR REGULATIONS.

PROPRIETARY NOTICE

THIS DRAWING CONTAINS CONFIDENTIAL AND TRADE SECRET INFORMATION, IS THE PROPERTY OF INGERSOLL-RAND CO., AND IS GIVEN TO THE RECEIVER IN CONFIDENCE. THE RECEIVER BY RECEPTION AND RETENTION OF THE DRAWING ACCEPTS THE DRAWING IN CONFIDENCE AND AGREES THAT, EXCEPT AS AUTHORIZED IN WRITING BY INGERSOLL-RAND CO. IT WILL (1) NOT USE THE DRAWING OR ANY COPY THEREOF OR THE CONFIDENTIAL OR TRADE SECRET INFORMATION THEREIN; (2) NOT COPY THE DRAWING; (3) NOT DISCLOSE TO OTHERS EITHER THE DRAWING OR THE CONFIDENTIAL OR TRADE SECRET INFORMATION THEREIN; AND (4) UPON COMPLETION OF THE NEED TO RETAIN THE DRAWING, OR UPON DEMAND, RETURN THE DRAWING, ALL COPIES THEREOF, AND ALL MATERIAL COPIED THEREFROM.

DO NOT SCALE DRAWING  
DRAWING CONFORMS TO ASME Y14.5M - 1994

CAD GENERATED DRAWING,  
NO MANUAL REVISIONS ALLOWED

UNLESS OTHERWISE SPECIFIED:  
- REMOVE ALL BURRS AND SHARP CORNERS  
- WELD SYMBOLS TO BE IN ACCORDANCE WITH ANSI/AWS A2.4

COPYRIGHT © 2017  
Ingersoll Rand  
ALL RIGHTS RESERVED

THIRD ANGLE PROJECTION	
DRAWN	DATE
SDLS	APR 5 17
CHECKED	DATE
APPROVED	DATE
DRAWING TYPE Detail Drawing NOMENCLATURE	

**IR Ingersoll Rand**

**HF8 FULL ASSEMBLY WITH ACCESSORIES**

SIZE <b>A1</b>	ESTIMATED WEIGHT (KG UNLESS OTHERWISE SPECIFIED) 0.0 kilogram	DWG NO. <b>47605742001</b>	REVISION <b>A</b>
SCALE 0.20	MODEL	SHEET	1 OF 1

HF8 FULL ASSEMBLY