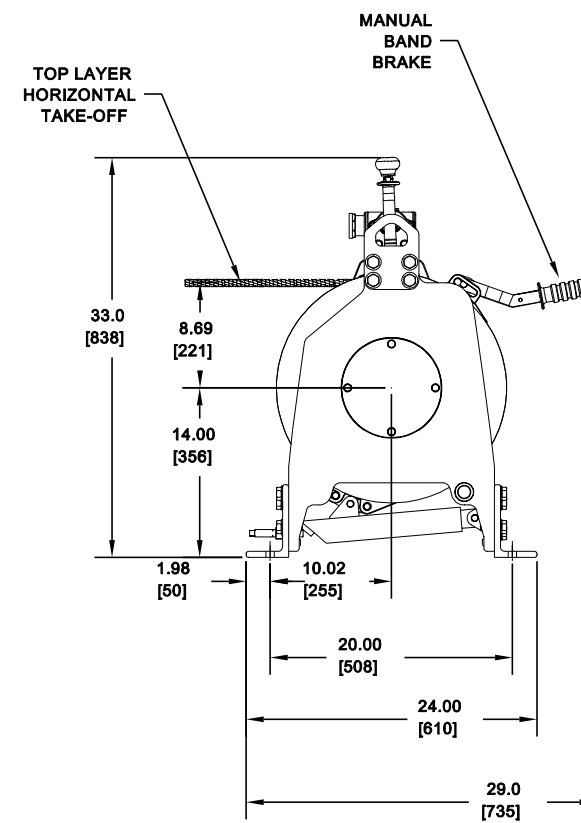
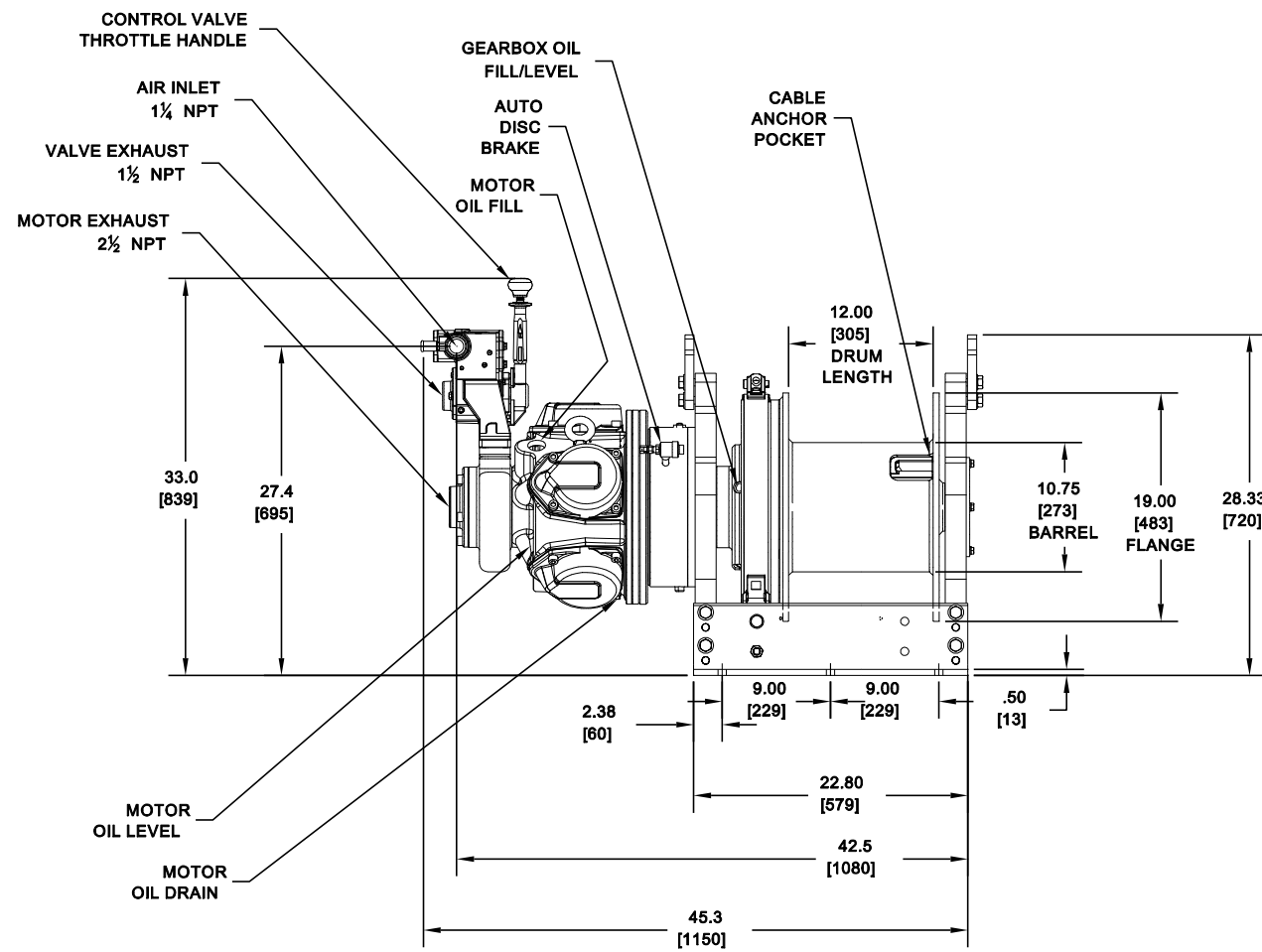
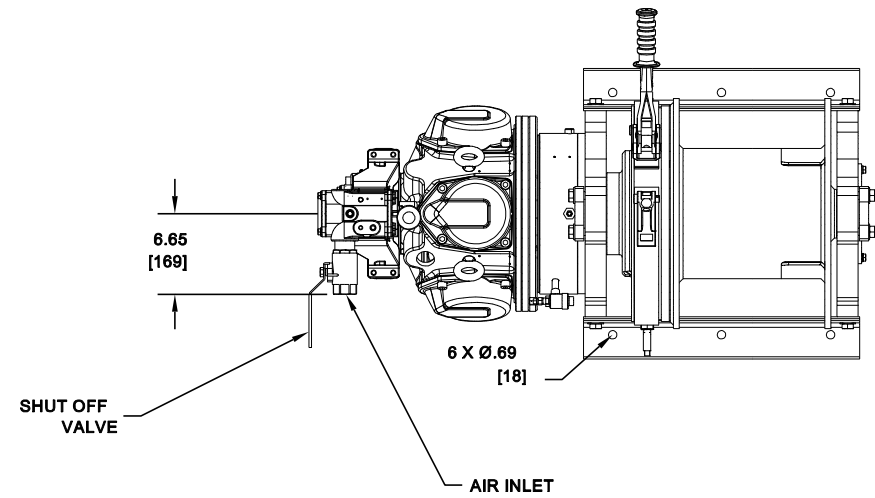


REVISIONS				
ZONE	LTR	DESCRIPTION	DATE	APPROVED
	-	INITIAL RELEASE PER SE010715		



DIMENSIONS SHOWN ARE INCHES
DIMENSIONS IN BRACKETS [] ARE mm.

PERFORMANCE SPECIFICATIONS:
 RATED LINE PULL - 5,000 lbs (2273kg) @ TOP LAYER
 RATED LINE SPEED - 132 fpm (40 m/min) @ TOP LAYER
 INLET PRESSURE - 90 psi (6.3 bar) RUNNING
 AVERAGE AIR CONSUMPTION - 700 scfm (19.9 m3/min.)

ITEM	QTY	SIZE	PART NO	DESCRIPTION
<p>THE DOCUMENT CONTAINS CONFIDENTIAL AND TRADE SECRET INFORMATION IN THE PROPERTY OF INGERSOLL-RAND COMPANY, AND IS LOANED TO THE RECEIVER IN CONFIDENCE. THE RECEIVER IN RECEIVING AND RETENTION OF THE DOCUMENT ACCEPTS THE DOCUMENT IN CONFIDENCE AND AGREES THAT, EXCEPT AS AUTHORIZED BY WRITERS BY INGERSOLL-RAND COMPANY, IT WILL NOT USE THE DOCUMENT OR ANY COPY THEREOF OR THE CONFIDENTIAL OR TRADE SECRET INFORMATION THEREIN (S) NOT COPY THE DOCUMENT, (S) NOT DISCLOSE TO OTHERS WITHIN THE DOCUMENT OR THE CONFIDENTIAL OR TRADE SECRET INFORMATION THEREIN, AND (S) UPON COMPLETION OF THE NEED TO RETURN THE DOCUMENT, OR UPON DEMAND, RETURN THE DOCUMENT, ALL COPIES THEREOF, AND ALL MATERIAL COPIED THEREFROM.</p> <p>WARNING: The export or reexport of this drawing or a product produced by this drawing is subject to U. S. Export Administration Regulations and other applicable governmental restrictions or regulations.</p> <p>Copyright © 2013 Ingersoll-Rand Company All Rights Reserved</p> <p>IR Ingersoll-Rand. Ingersoll-Rand Company Tool & Hoist Division Seattle, WA, U.S.A.</p> <p>TITLE WINCH, AIR OUTLINE/DIMENSIONAL FA2.5I-12MK1</p> <p>UNLESS OTHERWISE SPECIFIED: TOLERANCES ON DIMENSIONS: ARE DECIMALS: 2 PLACES: .001 ± .02 3 PLACES: .000 ± .005 ANGLES: ± 0.5° BREAK EDGES .010 SURF 125 ✓</p> <p>THIRD ANGLE PROJECTION DRAWN DATE SDG 2/21/13 CHECKED APPROVED ENG APPV W.D. 02/23 2013</p> <p>SIZE PART NO. DWG NO. REV C 382-37315 - SCALE: - SHEET 1 OF 1</p>				

DWG NO. 382-37315

SH. 1