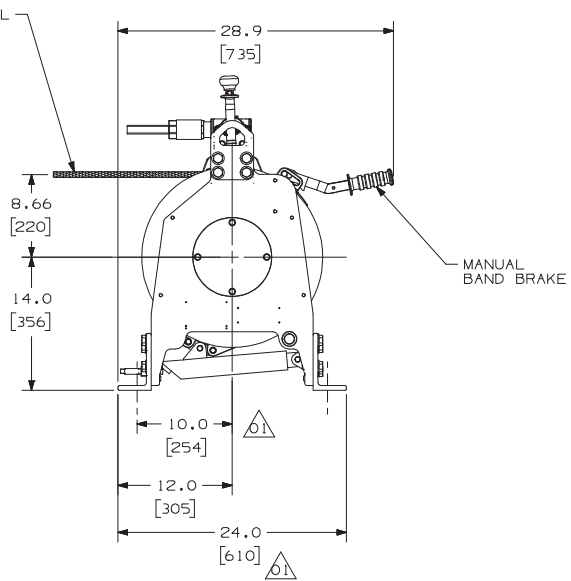
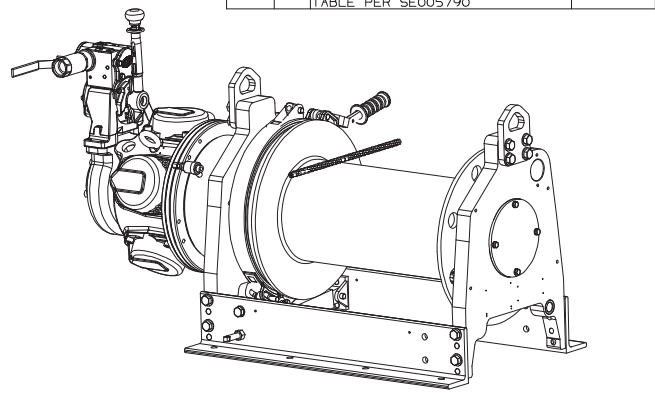
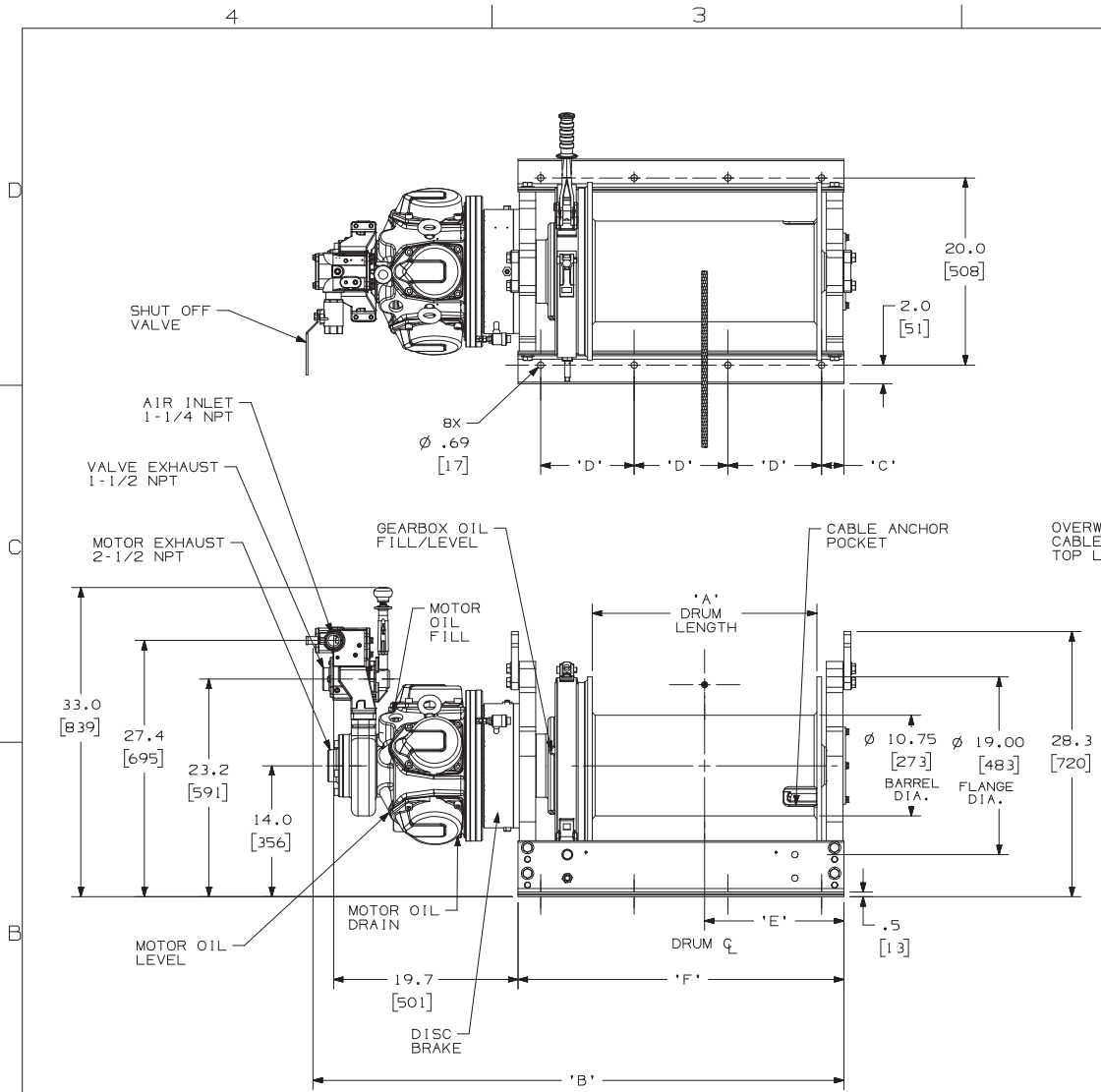


REVISIONS				
ZONE	LTR	DESCRIPTION	DATE	APPROVED
-	01	ADDED 10.0 DIM, 24.0 WAS 23.9 1 PL (.X) WERE 2 PL (.XX) IN TABLE PER SE005790	9/30/05	AEW WD



MODEL	DIM 'A'	DIM 'B'	DIM 'C'	DIM 'D'	DIM 'E'	DIM 'F'	QTY 'G'
FA2.5i-8MK1	8.00 [203]	41.1 [1044]	2.40 [61]	7.00 [178]	9.2 [232]	18.80 [478]	6
FA2.5i-12MK1	12.00 [305]	45.1 [1145]	2.40 [61]	9.00 [229]	11.2 [283]	22.80 [579]	6
FA2.5i-16MK1	16.00 [406]	49.1 [1247]	2.15 [55]	7.50 [191]	13.4 [340]	26.80 [681]	8
FA2.5i-20MK1	20.00 [508]	53.1 [1348]	1.90 [48]	9.00 [229]	16.0 [406]	30.80 [782]	8
FA2.5i-24MK1	24.00 [610]	57.1 [1450]	2.40 [61]	10.00 [254]	17.5 [445]	34.80 [884]	8
FA2.5i-30MK1	30.00 [762]	63.1 [1602]	2.40 [61]	12.00 [305]	20.5 [521]	40.80 [1036]	8
FA2.5i-36MK1	36.00 [914]	69.1 [1755]	1.40 [36]	14.00 [356]	24.5 [622]	44.80 [1138]	8

DIMENSIONS SHOWN ARE IN INCHES
DIMENSIONS IN BRACKETS ()
ARE IN MM.

ITEM	QTY	SIZE	PART NO	DESCRIPTION
<small>THIS DOCUMENT CONTAINS CONFIDENTIAL AND TRADE SECRET INFORMATION, IS THE PROPERTY OF INGERSOLL-RAND COMPANY, AND IS LOANED TO THE RECIPIENT IN CONFIDENCE. THE RECIPIENT MAY REPRODUCE AND RETAIN A COPY OF THE DOCUMENT ACCORDS TO THE SECURITY CLASSIFICATION AND MARKING THEREON. ANY OTHER REPRODUCTION OR DISSEMINATION OF THIS DOCUMENT, OR THE INFORMATION CONTAINED THEREIN, IS STRICTLY PROHIBITED. ANY RECIPIENT OF THIS DOCUMENT SHALL BE RESPONSIBLE FOR THE PROTECTION OF THIS INFORMATION. ANY RECIPIENT OF THIS DOCUMENT SHALL BE RESPONSIBLE FOR THE PROTECTION OF THIS INFORMATION. ANY RECIPIENT OF THIS DOCUMENT SHALL BE RESPONSIBLE FOR THE PROTECTION OF THIS INFORMATION.</small>				
Copyright © 2005 Ingersoll-Rand Company All Rights Reserved IR Ingersoll-Rand. Ingersoll-Rand Company Tool & Hoist Division Seattle, WA, U.S.A.				
<small>UNLESS OTHERWISE SPECIFIED TOLERANCES ON DIMENSIONS ARE:</small> DECIMALS: .001 FRACTIONS: 1/32 ANGLES: ±0.5°		TITLE: WINCH, AIR OUTLINE/DIMENSIONAL FA2.5i - *MK1 DATE: 9/20/2005 DRAWN: DFM CHECKED: [Signature] APPROVED: [Signature] ENG APPVAL: [Signature]		
BREAK EDGES .010 SURF 125		SIZE: C382-31907 SCALE: 1:10	PART NO.: 71467815 DWG NO.: 1501	REV: 01 SHEET: 1 OF 1

DWG NO. 71467815 SHEET 1 OF 1