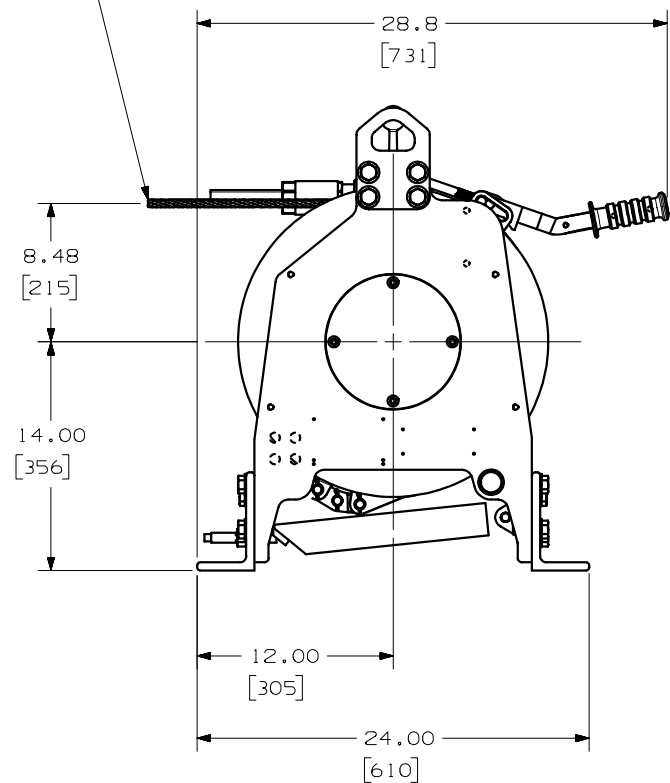
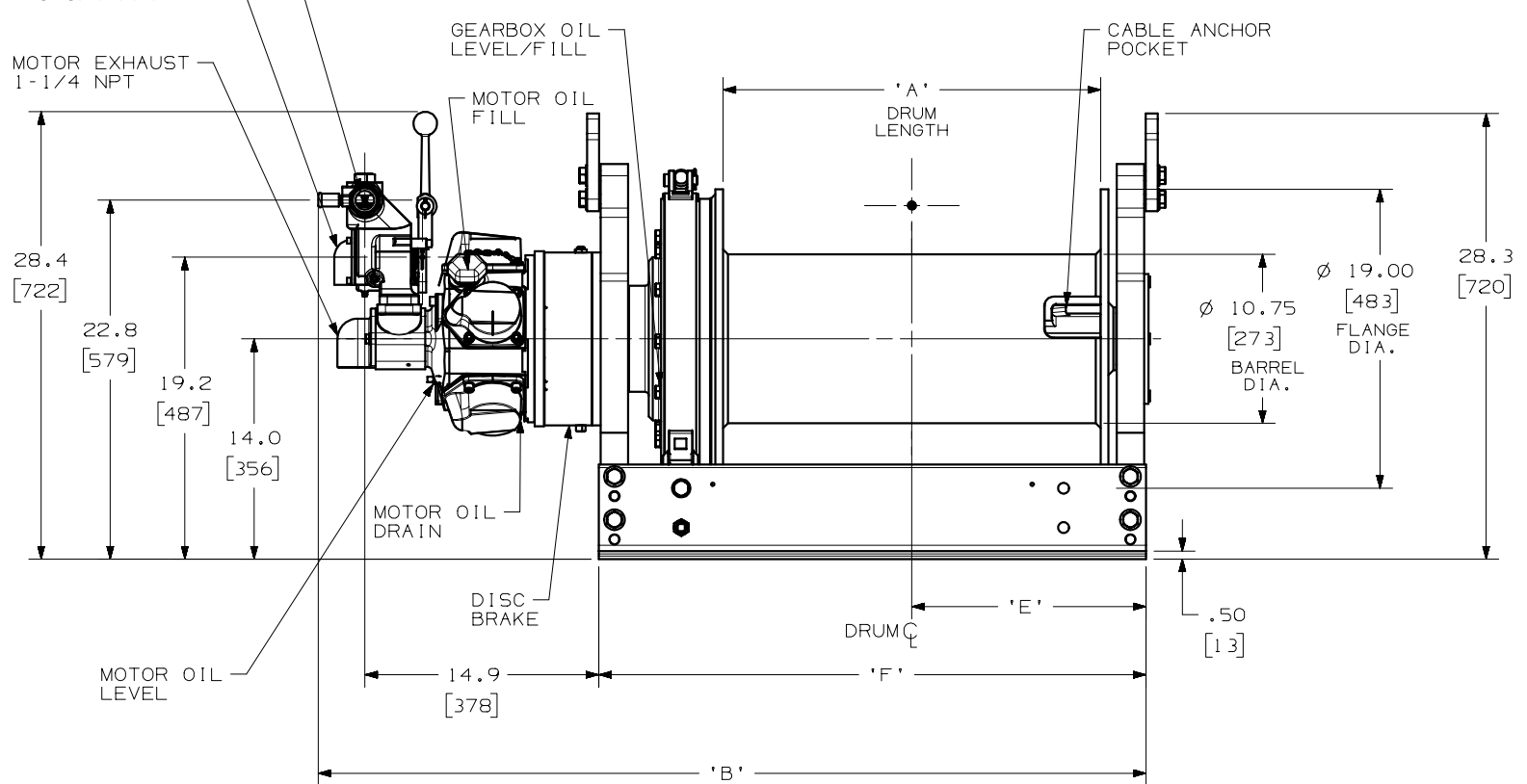
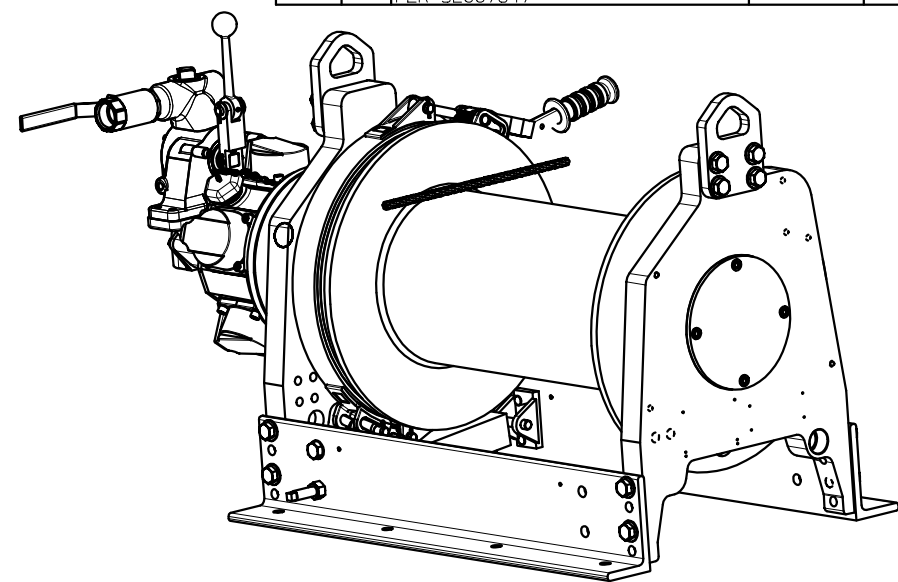
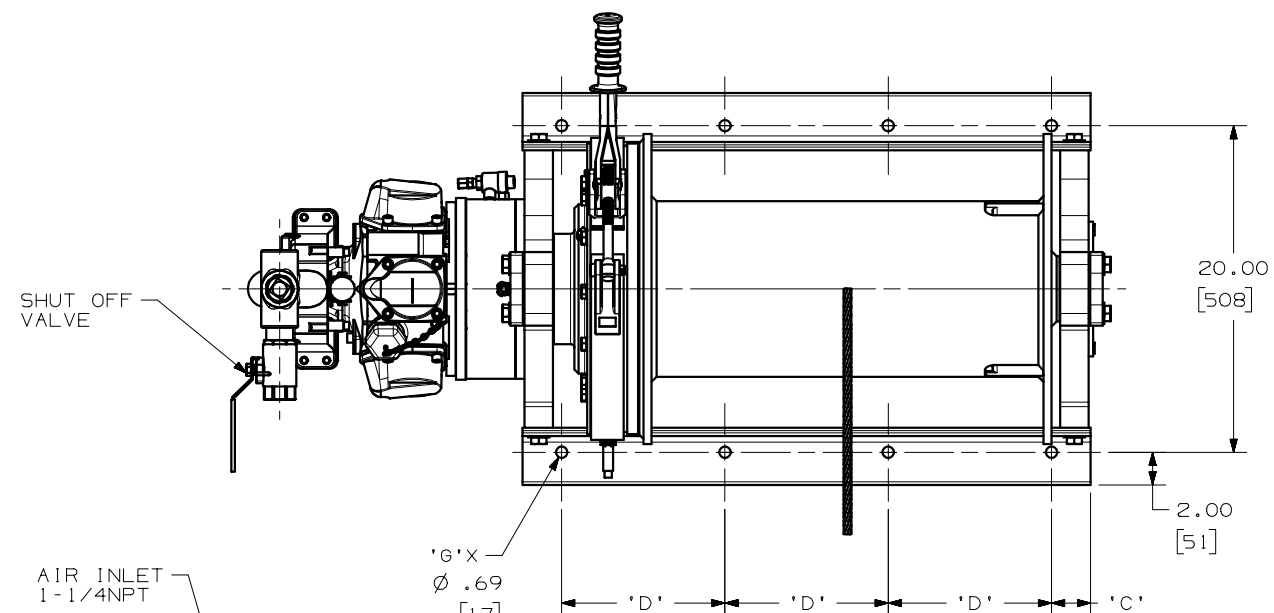


REVISIONS				
ZONE	LTR	DESCRIPTION	DATE	APPROVED
-	02	FIXED DIMS. ERRORS ON TABLE PER SEQ07647	09/24/08	CN AEW



MODEL	DIM 'A'	DIM 'B'	DIM 'C'	DIM 'D'	DIM 'E'	DIM 'F'	QTY 'G'
FA21-8MK1	8 [203]	37.63 [956]	2.90 [74]	7.00 [178]	6.89 [175]	19.80 [503]	6
FA21-12MK1	12 [305]	40.63 [1032]	2.40 [61]	9.00 [229]	8.89 [226]	22.80 [579]	6
FA21-16MK1	16 [406]	44.63 [1134]	2.15 [55]	7.50 [191]	10.89 [277]	26.80 [681]	8
FA21-20MK1	20 [508]	48.63 [1235]	1.90 [48]	9.00 [229]	12.89 [327]	30.80 [782]	8
FA21-24MK1	24 [610]	52.63 [1337]	2.40 [61]	10.00 [254]	14.89 [378]	34.80 [884]	8

- DIMENSIONS SHOWN ARE INCHES.
- DIMENSIONS IN BRACKETS [] ARE mm.

ITEM	QTY	SIZE	PART NO	DESCRIPTION
<small>THIS DOCUMENT CONTAINS CONFIDENTIAL AND TRADE SECRET INFORMATION, IS THE PROPERTY OF INGERSOLL-RAND COMPANY, AND IS GIVEN TO THE RECEIVER IN CONFIDENCE. THE RECEIVER BY ACCEPTANCE AND RETENTION OF THE DOCUMENT ACCEPTS THE DOCUMENT IN CONFIDENCE AND AGREES THAT, EXCEPT AS AUTHORIZED IN WRITING BY INGERSOLL-RAND COMPANY, IT WILL (1) NOT USE THE DOCUMENT OR ANY COPY THEREOF OR THE CONFIDENTIAL OR TRADE SECRET INFORMATION THEREIN; (2) NOT COPY THE DOCUMENT; (3) NOT DISCLOSE TO OTHERS EITHER THE DOCUMENT OR THE CONFIDENTIAL OR TRADE SECRET INFORMATION THEREIN; AND (4) UPON COMPLETION OF THE NEED TO RETAIN THE DOCUMENT, OR UPON DEMAND, RETURN THE DOCUMENT, ALL COPIES THEREOF, AND ALL MATERIAL COPIED THEREFROM.</small>				
<small>UNLESS OTHERWISE SPECIFIED TOLERANCES ON DIMENSIONS ARE DECIMALS: 2 PLACES (1.00X) ±.02 3 PLACES (1.000X) ±.005 ANGLES ±0.5°</small>				WARNING: The export or reexport of this drawing or a product produced by this drawing is subject to U. S. Export Administration Regulations and other applicable governmental restrictions or regulations. Copyright © 2008 Ingersoll-Rand Company All Rights Reserved
<small>THIRD ANGLE PROJECTION</small> DRAWN SDG DATE 9/27/2005 CHECKED - APPROVED - ENG APPV WO 09/30/2005		IR Ingersoll-Rand. Ingersoll-Rand Company Tool & Hoist Division Seattle, WA, U.S.A.		WINCH, AIR OUTLINE/DIMENSIONAL FA21-*MK1
<small>BREAK EDGES .010 SURF 1/2</small>		SIZE C PART NO. 382-31908 SCALE 1/8	DWG NO. 71467823 REV 02	SHEET 1 OF 1

DWG NO. 71467823