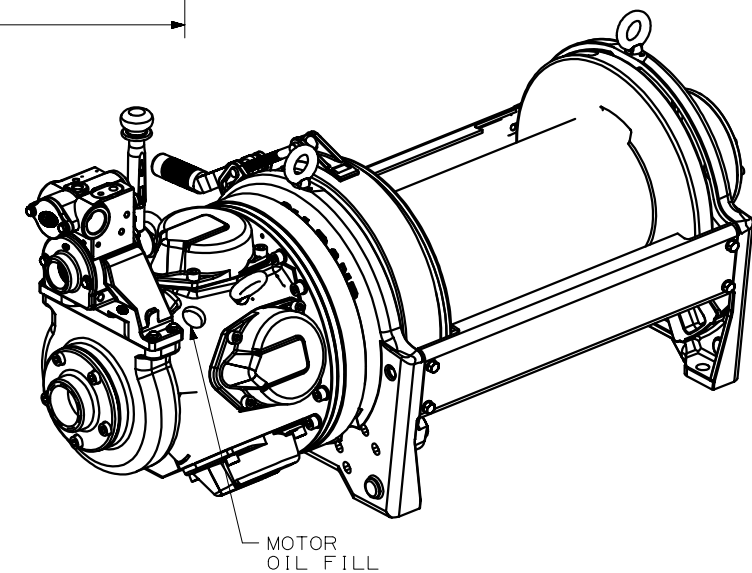
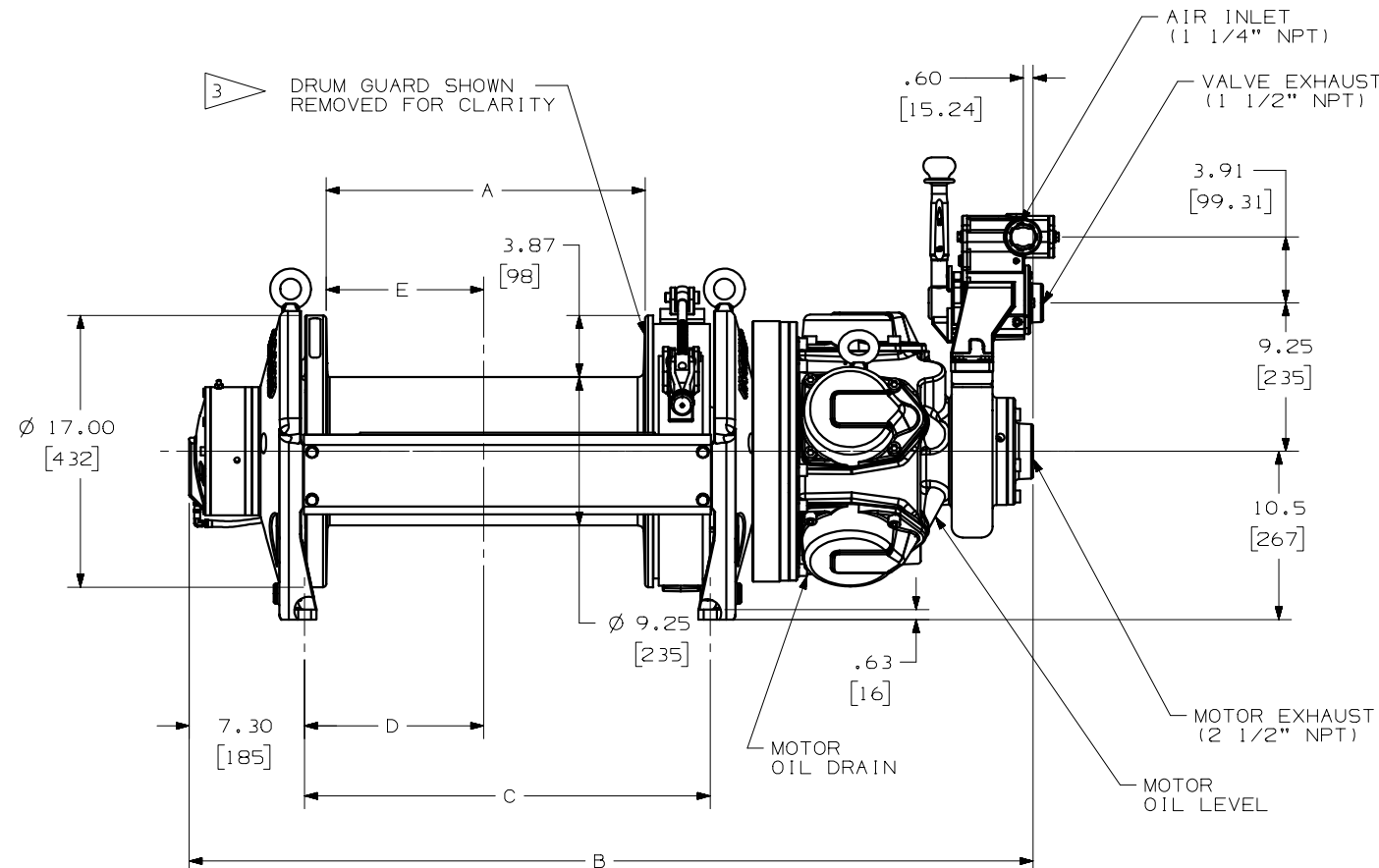
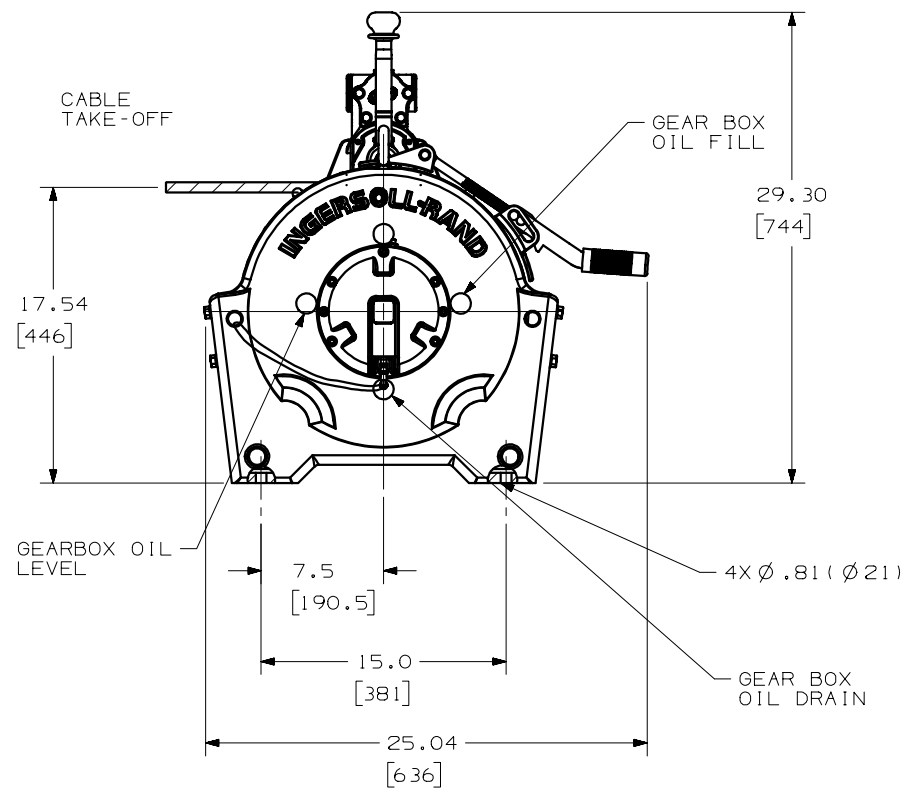


REVISIONS				
ZONE	LTR	DESCRIPTION	DATE	APPROVED
-	03	REDRAWN IN UG PER SE004593 CHANGED MODEL CODE PER 2004 PRICE LIST	3/8/04	HNS <i>[Signature]</i>



MODEL NUMBER	DRUM LENGTH		B		C		D		E	
	A									
	IN	mm	IN	mm	IN	mm	IN	mm	IN	mm
FA2.5A-7MK1	7.0	178	39.6	1007	12.3	313	4.8	122	3.5	89
-13MK1	13.5	343	46.1	1172	18.8	478	8.0	203	6.8	171
-20MK1	20.0	508	52.6	1337	25.3	643	11.3	287	10.0	254
-24MK1	24.0	610	56.6	1438	29.3	744	13.3	338	12.0	305

- NOTES:
- 1 OVER WOUND RIGHT-HAND LAY CABLE ONLY
 2. DIMENSIONS ARE INCHES; BRACKETS [] METRIC mm
 - 3 OPTIONAL ON UTILITY WINCH, REQUIRED ON MAN-RIDER

ITEM	QTY	SIZE	PART NO	DESCRIPTION
<small>THIS DOCUMENT CONTAINS CONFIDENTIAL AND TRADE SECRET INFORMATION, IS THE PROPERTY OF INGERSOLL-RAND COMPANY, AND IS GIVEN TO THE RECEIVER IN CONFIDENCE. THE RECEIVER BY ACCEPTANCE AND RETENTION OF THE DOCUMENT ACCEPTS THE DOCUMENT IN CONFIDENCE AND AGREES THAT: (1) COPY AS AUTHORIZED IN WRITING BY INGERSOLL-RAND COMPANY, IT WILL (1) NOT USE THE DOCUMENT OR ANY COPY THEREOF OR THE CONFIDENTIAL OR TRADE SECRET INFORMATION THEREON; (2) NOT COPY THE DOCUMENT; (3) NOT DISCLOSE TO OTHERS EITHER THE DOCUMENT OR THE CONFIDENTIAL OR TRADE SECRET INFORMATION THEREON; AND (4) UPON COMPLETION OF THE NEED TO RETAIN THE DOCUMENT, OR UPON DEMAND, RETURN THE DOCUMENT, ALL COPIES THEREOF, AND ALL MATERIAL COPIED THEREFROM.</small>				
<small>UNLESS OTHERWISE SPECIFIED TOLERANCES ON DIMENSIONS ARE DECIMALS: 2 PLACES (1.00X) ±.02 3 PLACES (1.000X) ±.005 ANGLES ±0.5° BREAK EDGES .010 SURF 125</small>				
<small>THIRD ANGLE PROJECTION</small> DRAWN: L. LANGEL DATE: 06/12/1997 CHECKED: - APPROVED: - ENG APPVL: DSM DATE: 06/16/1997		<small>WARNING: The export or reexport of this drawing or a product produced by this drawing is subject to U. S. Export Administration Regulations and other applicable governmental restrictions or regulations.</small> Copyright © 2004 Ingersoll-Rand Company All Rights Reserved IR Ingersoll-Rand. Ingersoll-Rand Company Tool & Hoist Division Seattle, WA, U.S.A.		
TITLE: DIMENSIONAL DRAWING FA2.5A-*MK1 OR FA2.5AMR-*MK1				REV: 03
SIZE: C SCALE: 1:6		PART NO.: 26243 DWG NO.: 71 329502		SHEET: 1 OF 1

DWG NO. 71 329502