



16574279
Edition 3
February 2015

Air Percussive Needle Scaler

Model 125

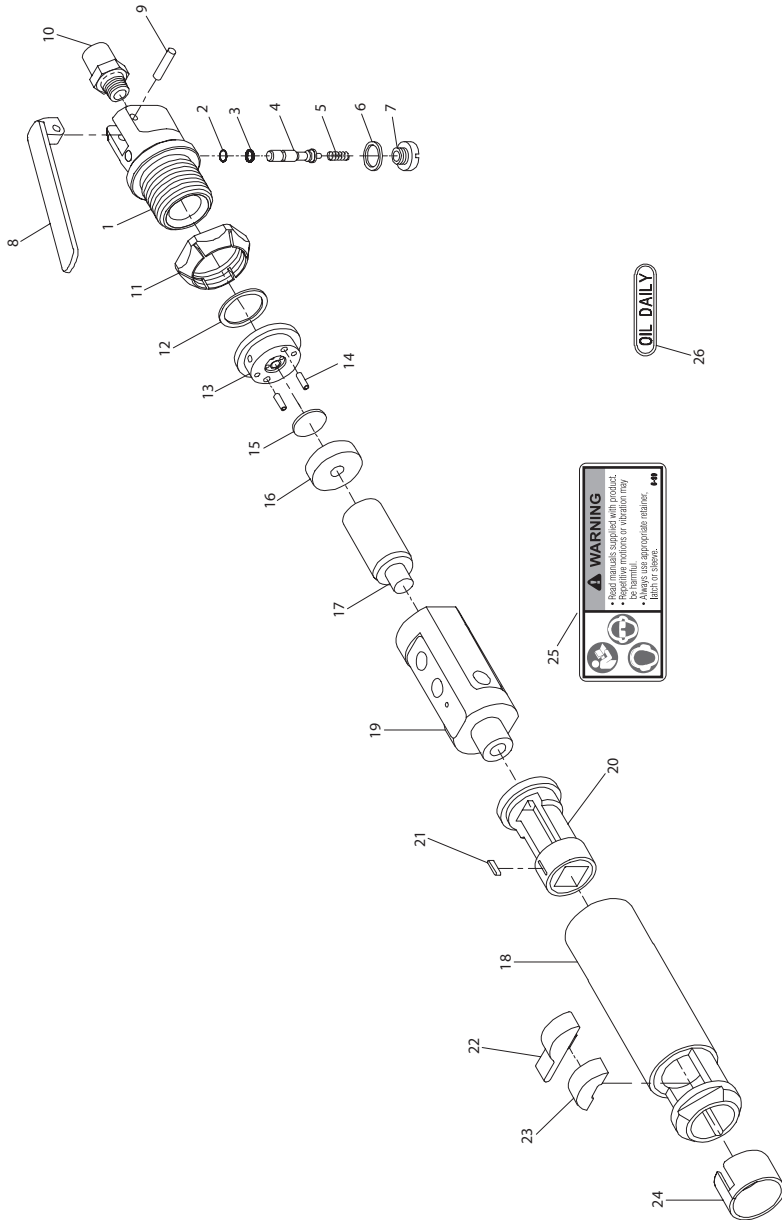
Parts Information



Save These Instructions

 **Ingersoll Rand**[®]

Model 125 Air Percussive Needle Scaler Exploded Diagram

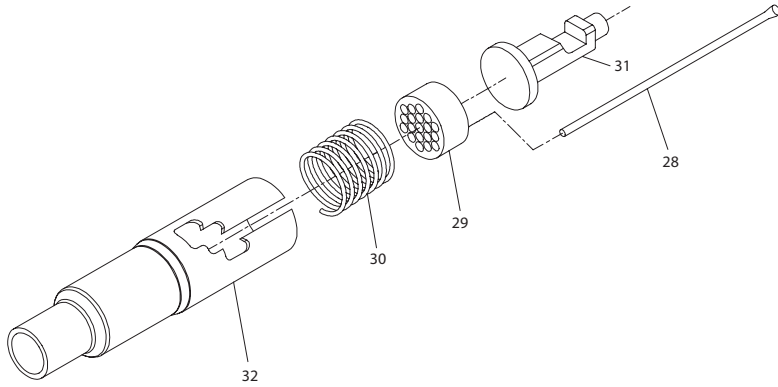


(Dwg. TPC640-2)

Model 125 Air Percussive Needle Scaler Parts List

Item	Part Description	Part Number	Item	Part Description	Part Number
1	Backhead	PF2200-160	15	Valve	PF2200-2
2	Throttle Valve Stem O-Ring	PF2200-53	16	Front Valve Block	PF2200-3
3	Valve O-Ring	PF2200-50	17	Piston	PF2200-5
4	Throttle Valve	PF2200-49		Casing Assembly	PF2200-A10
5	Spring	PF2200-51	18	Casing	PF2200-10
6	Gasket	PF2200-52	19	Casing Sleeve	PF2200-30
7	Valve Cap	PF2200-109	20	Nozzle	PF2200-7
8	Lever	PF2200-273	21	Key	PF2200-8
9	Lever Pin	PF2200-274	22	Bit Retainer	PF2200-200
10	Inlet Bushing	PF2200-565	23	Bit Retainer Buffer	PF2200-203
11	Locking Ring	PF2200-27	24	Retainer Clip	PF2200-201
12	Alignment Shim	PF2200-207	25	Warning Label	WARNING-6-99
13	Rear Valve Block	PF2200-4	26	Oil Daily Label	107-304
14	Pin (2)	PF2200-32			

Model 125 Air Percussive Needle Scaler Exploded Diagram



(Dwg. TPC641-1)

Model 125 Air Percussive Needle Scaler Parts List

Item	Part Description	Part Number
	Needle Attachment	PF2219-K19
28	Needle Package (19)	PF2219-22-19
29	Needle Holder	PF2219-21
30	Spring	PF2219-27
31	Anvil	PF2219-20
32	Needle Housing	PF2219-24

Parts and Maintenance

When tool life has expired, it is recommended that the tool be disassembled, degreased and parts separated by material for proper recycling.

Tool repair and maintenance should only be carried out by an authorized Service Center.

Refer all communications to the nearest **Ingersoll Rand** office or distributor.

Related Documentation

Manuals can be downloaded from ingersollrandproducts.com

For additional information, refer to:

Product Safety Information Manual 04581450.

Product Information Manual 16574113.



ingersollrandproducts.com

© 2015 *Ingersoll Rand*

