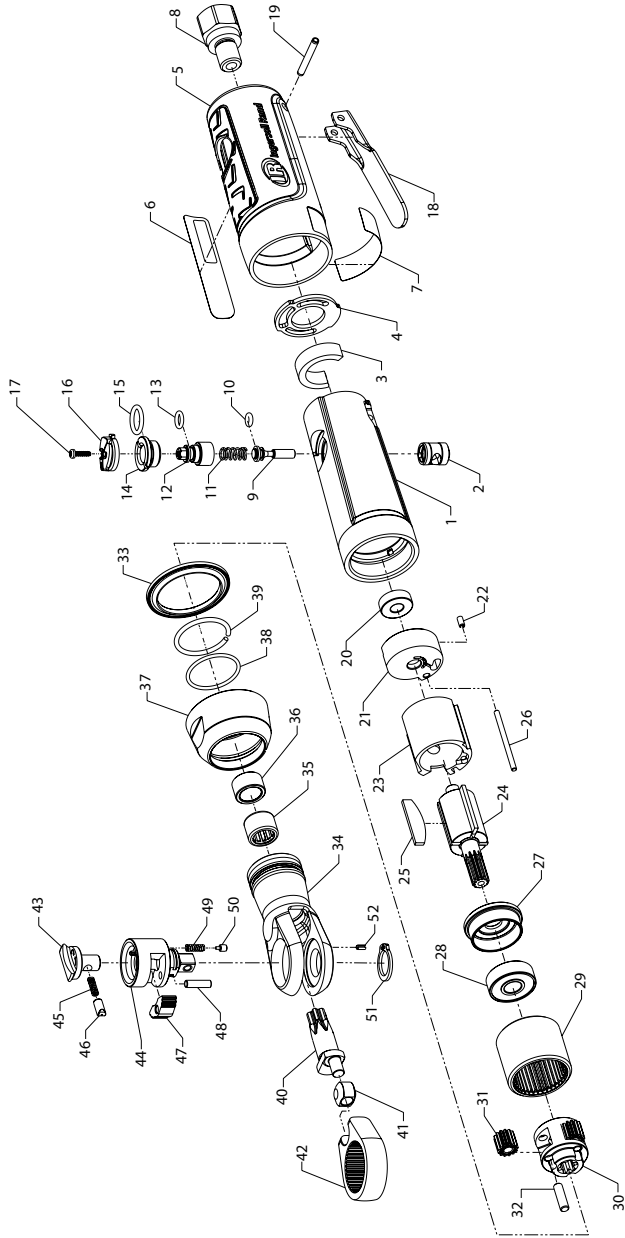


1105MAX-D2 and 1105MAX-D3 Air Ratchet Wrench - Exploded View



(Dwg. 45649290)



1105MAX-D2 and 1105MAX-D3 Air Ratchet Wrench - Parts List

Item	Part Description	Part Number	Item	Part Description	Part Number
	Housing Assembly			Gearing Kit	1105-GK
	for 1105MAX-D2	1105MAX-D2-A40	29	Internal Gear	105-406
	for 1105MAX-D3	1105MAX-D3-A40	30	Spindle	105-8
1	Housing	---	31	Planet Gear (3 per kit)	105-9A
2	Valve Bushing	1105-503	32	Planet Gear Pin (3 per kit)	1215-524
3	Muffler	1105-311	33	Ring	1105-223
4	Exhaust Gasket	---		Ratchet Housing Assembly	1105-A322
	Composite Housing Assembly		34	Ratchet Housing	---
	for 1105MAX-D2	1105MAX-D2-A747	35	Needle Bearing	---
	for 1105MAX-D3	1105MAX-D3-A747	36	Bushing	---
5	Composite Housing	---	37	Coupling Nut	1105-27A
6	Nameplate Label		38	O-Ring	JQ2-201
	for 1105MAX-D2	1105MAX-D2-301	39	Retaining Ring	1105-118
	for 1105MAX-D3	1105MAX-D3-301	40	Crankshaft	1105-35
7	Warning Label	WARNING-35-99	41	Drive Bushing	1105-36
8	Inlet Bushing Assembly	103A-A565	42	Yoke	1105-37
	Valve Kit	1105-VK		Ratchet Head Kit	
9	Throttle Valve	1105-302		for 1105MAX-D2	1105-D2-TRK1
10	Throttle Valve O-Ring	1105-159		for 1105MAX-D3	1105-D3-TRK1
11	Throttle Valve Spring	3102-51	43	Reverse Button	1105-38
12	Power Regulator	1105-200	44	Anvil Assembly	
13	Regulator O-Ring	2130-159		for 1105MAX-D2	1105-D2-A44
14	Valve Plug	1105-266		for 1105MAX-D3	1105-D3-A44
15	Valve Plug O-Ring	170-283		Pawl Kit	1105-K43
16	Regulator Knob	1105-249	45	Lock Spring	---
17	Screw	1105-78	46	Lock Pin	---
	Throttle Lever Kit	1105-LK	47	Pawl	---
18	Throttle Lever	---	48	Pawl Retaining Pin	---
19	Pin	---		Spring Kit	1105-SK
	Motor Assembly	1105-MK	49	Friction Spring (3 per kit)	---
20	Rear Rotor Bearing	301-22	50	Friction Pin (3 per kit)	---
21	Rear End Plate	3102-12	51	Retaining Ring	---
22	Motor Alignment Pin	170-412	52	Spring Pin	1105-535
23	Cylinder	301-3	*	Oil - Ingersoll Rand No. 10 (4 oz. bottle)	10Z4
24	Rotor	105-53	*	Grease	
25	Vanes (set of 4)	301-42-4		IR # 67 (1 lb can) - for Gearing	67-1 LB
26	End Plate Alignment Pin	1105-98		IR # 67 (8 lb can) - for Gearing	67 8 LB
27	Front End Plate	1105-11		IR # 70 (1 lb can) - for Ratchet Head	70 1 LB
28	Front Rotor Bearing	301-24		IR # 70 (8 lb can) - for Ratchet Head	70 8 LB
			*	Spline Wrench (for removal of item 29)	1215-SW
			*	Regulator Wrench (for removal of item 14)	1105-RW
			*	Clamp Tool (for clamping item 5)	1105-598

* Not illustrated.

Parts and Maintenance

When the life of the tool has expired, it is recommended that the tool be disassembled, degreased and parts be separated by material so that they can be recycled.

Tool repair and maintenance should only be carried out by an authorized Service Center.

Refer all communications to the nearest **Ingersoll Rand** Office or Distributor.

Related Documentation

For additional information refer to:

Air Ratchet Wrench Safety Information Manual 04580361.

Air Ratchet Wrench Product Information Manual 45649159.

Manuals can be downloaded from ingersollrandproducts.com

