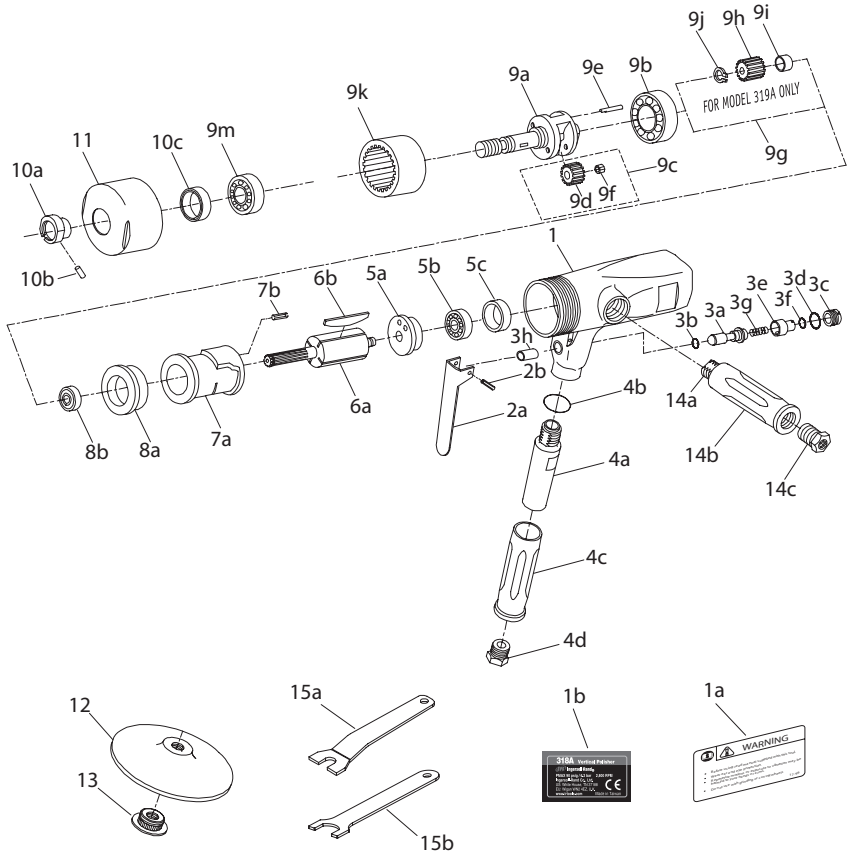


318A and 319A Vertical Air Sander and Polisher Exploded Diagram



(Dwg. TPA1885_B)



318A and 319A Vertical Air Sander and Polisher Parts List

Item	Part Description	Part Number	(CCN)	Item	Part Description	Part Number	(CCN)
1	Motor Housing Assembly	--	--	8	Front End Plate Assembly	318A-A11	(80141294)
	for 318A	318A-A40	(80141112)	8a	Front End Plate	318A-11	(80141302)
	for 319A	319A-A40	(80143803)	8b	Front Rotor Bearing	318A-22	(80141328)
	Motor Housing	--	--	9	Spindle Assembly	--	--
	Housing Plug	--	--		for 318A	318A-A591	(80141336)
1a	Warning Label	WARNING-17-99	(04341830)		for 319A	319A-A591	(80142664)
1b	Nameplate	--	--	9a	Spindle	--	--
	for 318A	318A-301	(80125941)	9b	Spindle Bearing	318A-593	(80141351)
	for 319A	319A-301	(80125958)	9c	Planet Gear Assembly	--	--
2	Lever Assembly	318A-A273	(80141666)		for 318A	318A-A10	(80141815)
2a	Throttle Lever	--	--		for 319A	319A-A10	(80142672)
2b	Throttle Lever Pin	--	--	9d	Planet Gear (set of 2)	--	--
3	Throttle Assembly	318A-A302	(80141203)		for 318A	318A-10	(80141377)
3a	Throttle Valve	--	--		for 319A	319A-10	(80142615)
3b	Throttle Valve Seal	--	--	9e	Planet Gear Pin (2)	--	--
3c	Throttle Valve Cap	--	--	9f	Needle Bearing (22)	--	--
3d	Valve Cap Seal	--	--	9g	Pinion Gear Assembly	319A-A551	(80142557)
3e	Speed Regulator	--	--	9h	Pinion Gear	319A-551	(80142565)
3f	Regulator Seal	--	--	9i	Pinion Spacer	--	--
3g	Throttle Valve Spring	--	--	9j	Pinion Retaining Rin	--	--
3h	Throttle Bushing	--	--	9k	Ring Gear	318A-37	(80141344)
4	Inlet Handle Assembly	318A-A169	(80141229)	9m	Front Arbor Bearing	318A-509	(80141773)
4a	Inlet Handle	--	--	10	Clamp Nut Assembly	318A-A86	(80141401)
4b	Inlet Handle Seal	--	--	10a	Clamp Nut	--	--
4c	Handle Grip	--	--	10b	Spindle Retaining Pin	--	--
4d	Inlet Bushing	318A-465	(80141641)	10c	Oil Seal	--	--
5	Rear End Plate Assembly	318A-A12	(80141690)	11	Housing Nut	318A-200	(80141427)
5a	Rear End Plate	--	--	12	Pad	318A-A825	(80143795)
5b	Rear Rotor Bearing	318A-97	(80141716)	13	Pad Nut	318A-226	(80126154)
5c	Rear Bearing Cap	--	--	14	Exhaust Handle Assembly	318A-A171	(80141252)
6	Rotor Assembly	318A-A53	(80141278)	14a	Exhaust Handle	--	--
6a	Rotor	--	--	14b	Handle Grip	--	--
6b	Vane (set of 4)	318A-42-4	(80118870)	14c	Exhaust Deflector	318A-312	(80126220)
7	Cylinder Assembly	318A-A3	(80141765)	15	Wrench Kit	318A-A69	(80141450)
7a	Cylinder	--	--	15a	Disc Wrench	--	--
7b	Cylinder Pin	--	--	15b	Arbor Wrench	--	--

Parts and Maintenance

When tool life has expired, it is recommended that the tool be disassembled, degreased and parts separated by material for proper recycling. Tool repair and maintenance should only be carried out by an authorized Service Center.

Refer all communications to the nearest **Ingersoll Rand** office or distributor.

Related Documentation

Manuals can be downloaded from ingersollrandproducts.com

For additional information, refer to:

Rotary Air Sander, Polisher and Buffer Product Safety Information Manual 04580387.

Rotary Air Sander, Polisher and Buffer Product Information Manual 04580577.

