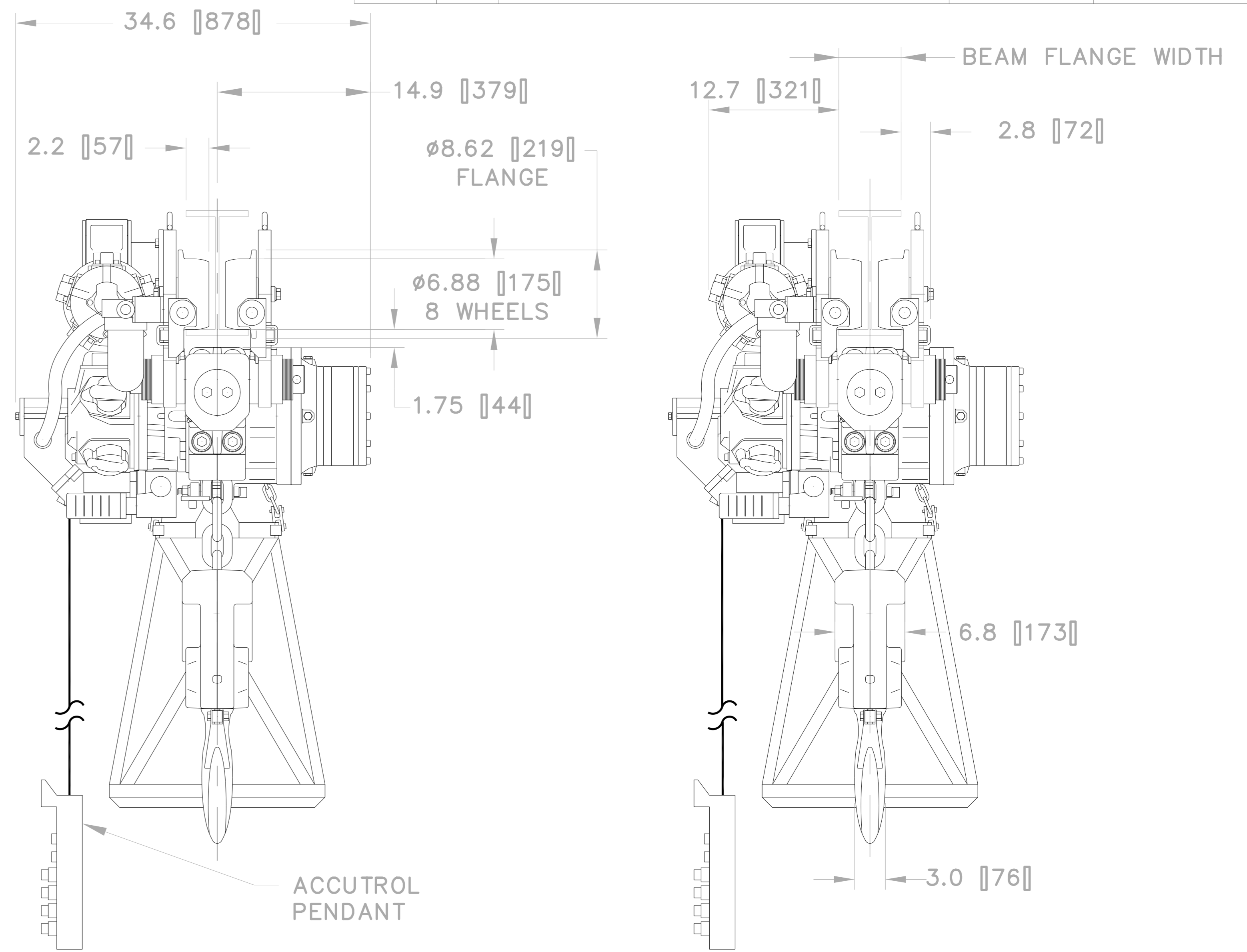
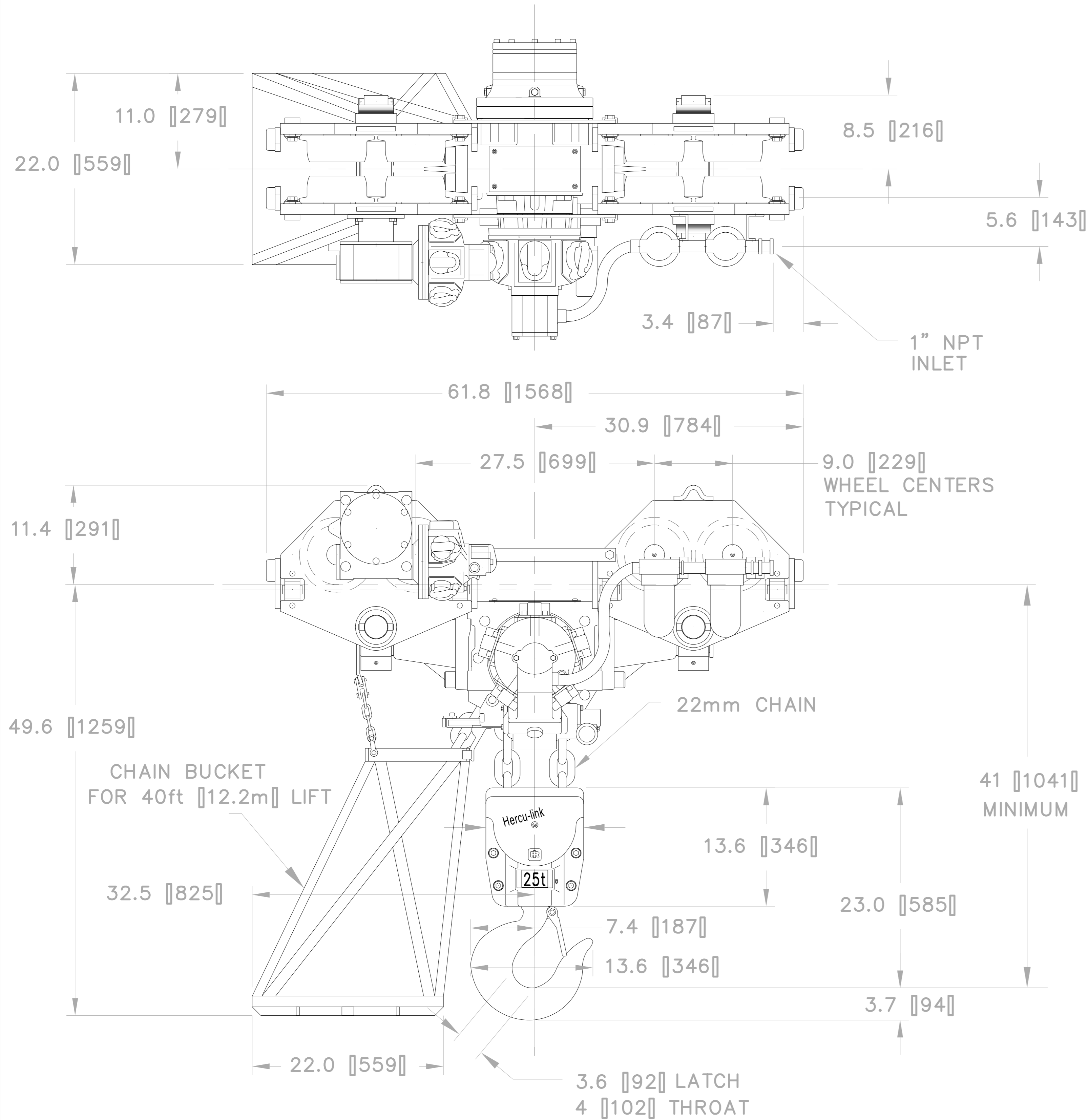


REVISIONS				
ZONE	LTR	DESCRIPTION	DATE	APPROVED
	-	INITIAL RELEASE PER SE007500		



SPECIFICATIONS: (PER UNIT)
 LIFT CAPACITY - 25 METRIC TONS EA.
 HOIST SPEED - 4FPM
 INLET PRESSURE - 90/120PSI 280CFM
 TROLLEY SPEED - 20 FPM

CERTIFIED FOR CONSTRUCTION
 SIGNED _____

ITEM	QTY	SIZE	PART NO	DESCRIPTION
------	-----	------	---------	-------------

THIS DOCUMENT CONTAINS CONFIDENTIAL AND TRADE SECRET INFORMATION, IS THE PROPERTY OF INGERSOLL-RAND COMPANY, AND IS GIVEN TO THE RECEIVER IN CONFIDENCE. THE RECEIVER BY RECEPTION AND RETENTION OF THE DOCUMENT ACCEPTS THE DOCUMENT IN CONFIDENCE AND AGREES THAT, EXCEPT AS AUTHORIZED IN WRITING BY INGERSOLL-RAND COMPANY, IT WILL (1) NOT USE THE DOCUMENT OR ANY COPY THEREOF OR THE CONFIDENTIAL OR TRADE SECRET INFORMATION THEREIN; (2) NOT COPY THE DOCUMENT; (3) NOT DISCLOSE TO OTHERS EITHER THE DOCUMENT OR THE CONFIDENTIAL OR TRADE SECRET INFORMATION THEREIN; AND (4) UPON COMPLETION OF THE NEED TO RETAIN THE DOCUMENT, OR UPON DEMAND, RETURN THE DOCUMENT, ALL COPIES THEREOF, AND ALL MATERIAL COPIED THEREFROM.

WARNING: The export or reexport of this drawing or a product produced by this drawing is subject to U. S. Export Administration Regulations and other applicable governmental restrictions or regulations.

Copyright 2008 Ingersoll-Rand Company All Rights Reserved



TITLE
HOIST, AIR HERCULINK
 OUTLINE/DIMENSIONAL
 BHS50MA6-40-40 (2 UNITS REQ'D)

UNLESS OTHERWISE SPECIFIED TOLERANCES ON DIMENSIONS ARE DECIMALS:	THIRD ANGLE PROJECTION
2 PLACES:(.XX)= ±.02	DRAWN DATE PMC 1/28/08
3 PLACES:(.XXX)= ±.005	CHECKED
ANGLES: ±0.5 °	APPROVED
BREAK EDGES .010 SURF 125	ENG APPVL

SIZE	PART NO.	DWG NO.	REV
B		382-34097 -	
SCALE: 1:16		SHEET 1 OF 1	