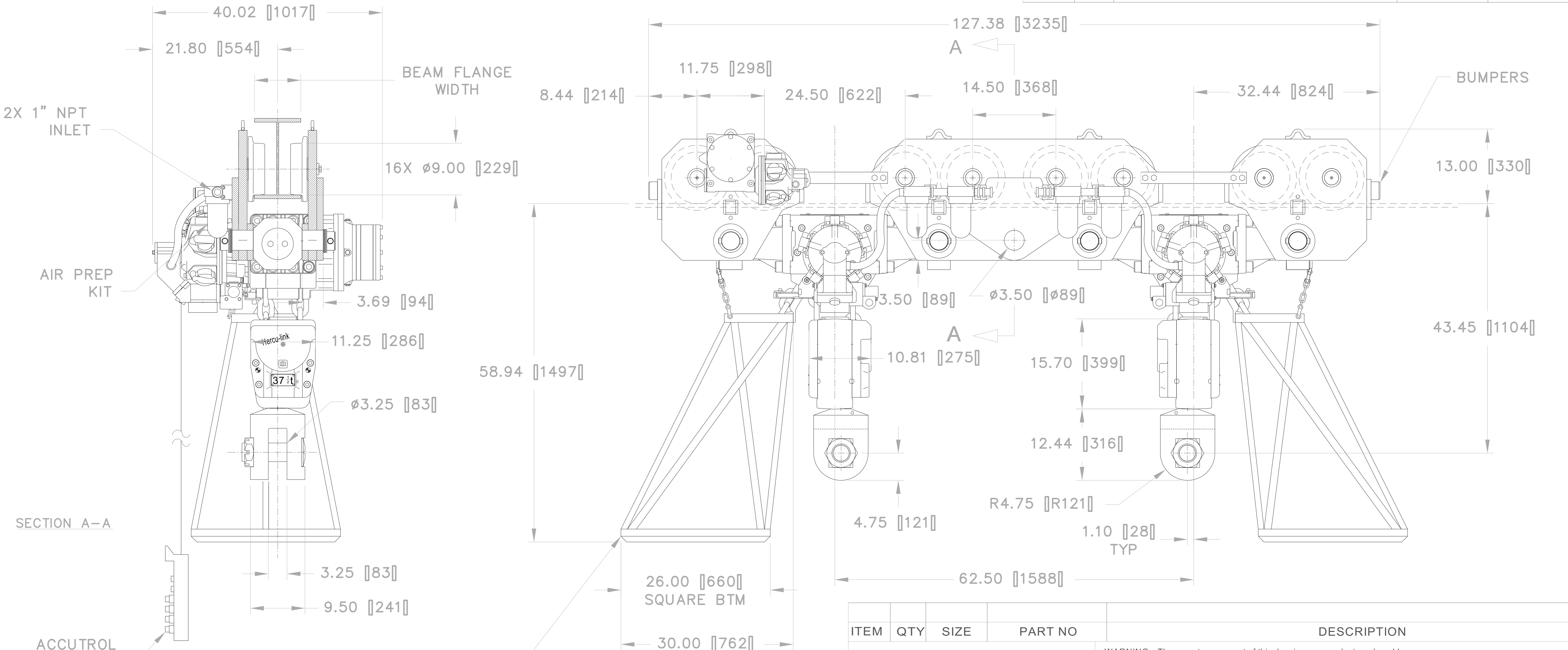


REVISIONS				
ZONE	LTR	DESCRIPTION	DATE	APPROVED
	-	INITIAL RELEASE PER SE006170		



SPECIFICATIONS (PER UNIT)
 2 UNITS REQ'D FOR BHS SYSTEM
 SYSTEM LIFT CAPACITY: 150 METRIC TONS
 HOIST SPEED: 2.5 FPM LIFTING, 3.75 FPM LOWERING
 AIR CONSUMPTION: 560 SCFM AT 90 PSI
 TROLLEY SPEED: 20 FPM

ITEM	QTY	SIZE	PART NO	DESCRIPTION
------	-----	------	---------	-------------

THIS DOCUMENT CONTAINS CONFIDENTIAL AND TRADE SECRET INFORMATION, IS THE PROPERTY OF INGERSOLL-RAND COMPANY, AND IS GIVEN TO THE RECEIVER IN CONFIDENCE. THE RECEIVER BY RECEPTION AND RETENTION OF THE DOCUMENT ACCEPTS THE DOCUMENT IN CONFIDENCE AND AGREES THAT, EXCEPT AS AUTHORIZED IN WRITING BY INGERSOLL-RAND COMPANY, IT WILL (1) NOT USE THE DOCUMENT OR ANY COPY THEREOF OR THE CONFIDENTIAL OR TRADE SECRET INFORMATION THEREIN; (2) NOT COPY THE DOCUMENT; (3) NOT DISCLOSE TO OTHERS EITHER THE DOCUMENT OR THE CONFIDENTIAL OR TRADE SECRET INFORMATION THEREIN; AND (4) UPON COMPLETION OF THE NEED TO RETAIN THE DOCUMENT, OR UPON DEMAND, RETURN THE DOCUMENT, ALL COPIES THEREOF, AND ALL MATERIAL COPIED THEREFROM.

WARNING: The export or reexport of this drawing or a product produced by this drawing is subject to U. S. Export Administration Regulations and other applicable governmental restrictions or regulations.

Copyright 2006 Ingersoll-Rand Company All Rights Reserved



TITLE
BOP HANDLING SYSTEM
 OUTLINE/DIMENSIONAL
 BHS150MA6, 2 UNITS REQUIRED

UNLESS OTHERWISE SPECIFIED TOLERANCES ON DIMENSIONS ARE DECIMALS:	THIRD ANGLE PROJECTION
2 PLACES:(.XX)= ±.02	DRAWN DATE SRB 3/31/06
3 PLACES:(.XXX)= ±.005	CHECKED
ANGLES: ±0.5 °	APPROVED
BREAK EDGES .010	ENG APPVL <i>WO</i> 04/03/2006
SURF 125 ✓	

SIZE	PART NO.	DWG NO.	REV
B		382-32381	
SCALE: 1:18		SHEET 1 OF 1	