



# GHH RAND®

## SV205

### Liquid Bulk Compressor



The SV205 is a lightweight, compact rotary vane compressor designed for faster, lower noise, oil free discharge of bulk liquids from general purpose tankers, e.g. liquid foodstuff, solvents, acids, alkalis, hot bitumen, resins and other chemicals. The higher airflow range takes advantage of the modern day discharge sites allowing a faster discharges, savings on fuel and better fleet utilisation.

Compressors are the fastest method of discharging low viscosity liquids and with no component compatability issues, they are also the most flexible with low viscosity liquids.

#### General Design

The machine is an oil free sliding vane design supported by bearing arrangements at both ends of the rotor.

All the components used in the main bore cavity are hard anodised aluminium or stainless steel to maximise the resistance to atmospheric corrosion.

#### Large Vane Machine

Sales kit SV205 large vane clockwise package 1. compressor and ancillary kit, consisting of:

- SV205 cw basic machine
- Air Inlet Filter 5" Cyclonic plus
- Air Inlet Hose Kit
- Inlet Flange (Cast Aluminium)
- Port Gaskets
- Relief Valve (2.5 bar (g) 1/2" BSP)
- Non Return Valve - 1.5" BSP
- Stainless Steel Discharge Flange(WI)
- Mounting Feet (Pair)

#### Mounting

The compact size and shape of the compressor make it ideal for simple mounting inside the chassis on most vehicles to enable low cost direct PTO driving.

The through shaft allows CW or ACW input drive rotation and the compressor can be installed in 3 orientations to provide the maximum mounting flexibility.

# Optional Ancillaries

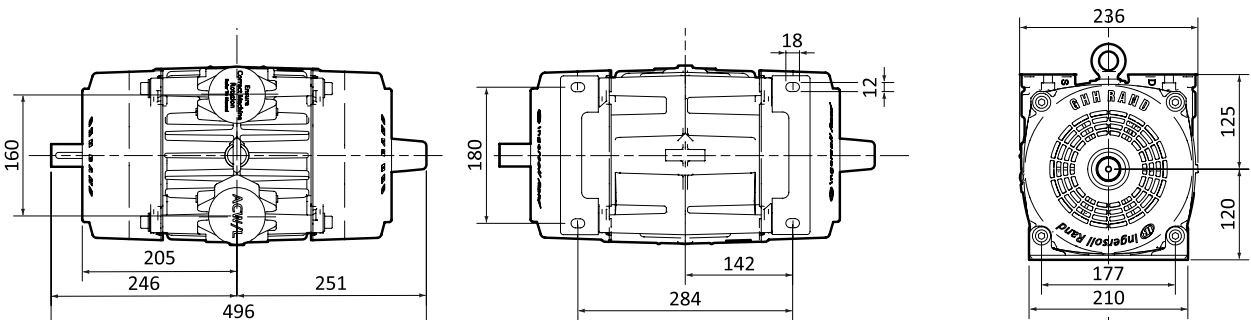
- Companion Drive Flanges
- Hydraulic Trunk & Coupling
- Hydraulic Drive Motor

## Drive Options

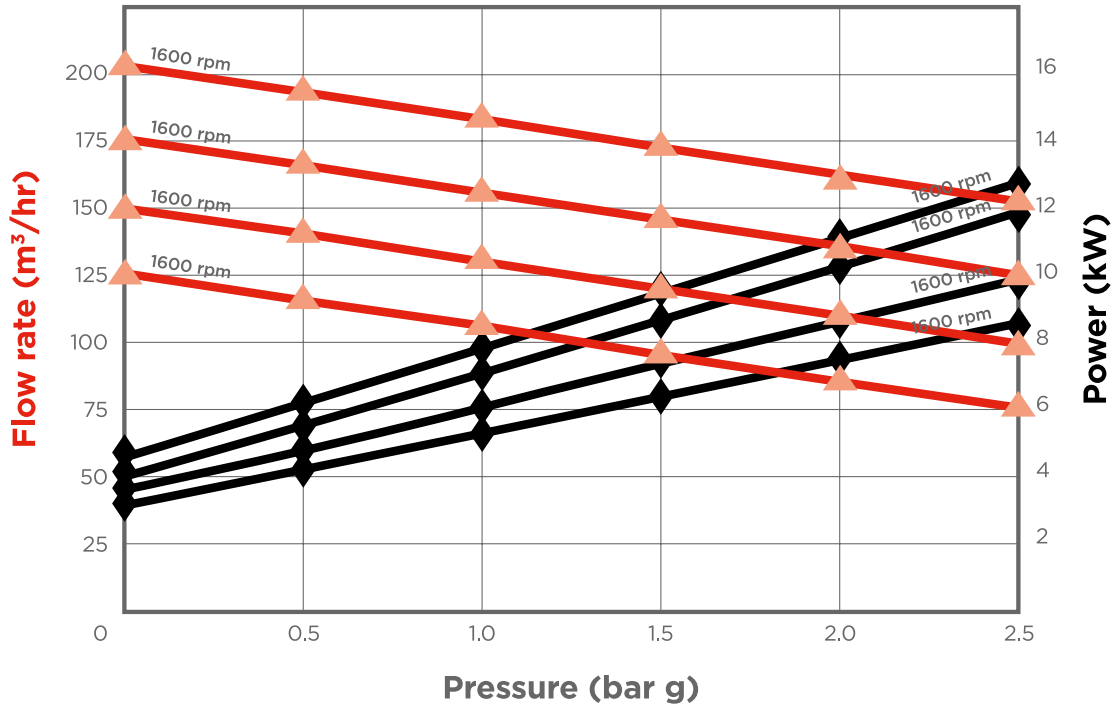
**Prop. shaft drive:** Direct from a vehicle PTO  
**Hydraulic drive:** Several drives can be offered depending on the application



## Dimensions



## Performance



**GHH RAND**



<https://www.ingersollrand.com/gghrandtransport>