

GHH RAND®

CD4D – Double-stage oil free screw compressor

Highlights

- Totally **oil free** compression
- **DIN 10204** certification available on demand (incl. v3.1)
- Accurate and excellent surface finish due to **lost foam casting technology**
- Low vibration: High precision gears and balanced components
- High efficiency: Extremely resistant coating ensures optimized clearances for many years of operation
- No corrosion: Stainless steel rotors in high pressure stage
- Can be used for fixed speed or VFD (VSD)
- **Ultra compact design**: Both stages in one housing



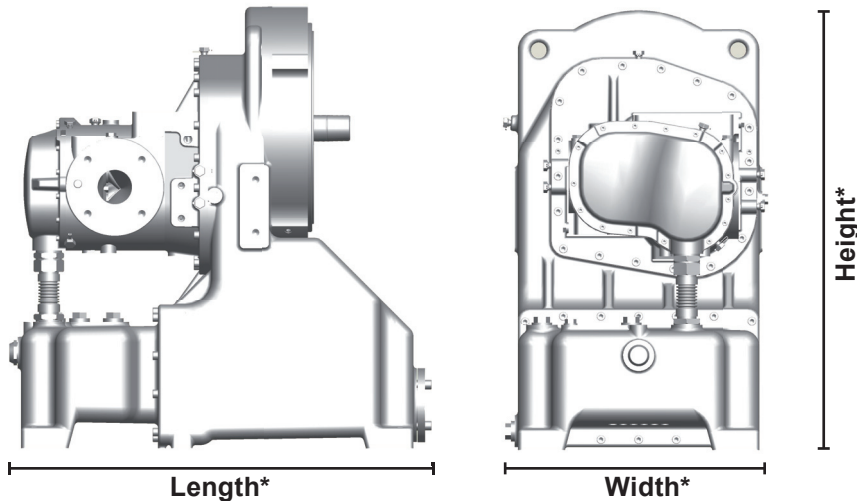
GHH RAND recommends:



- Maximize life and efficiency with Ultralube or Ultralube F (food grade)
- Ask your sales rep. for details

GHH RAND®

CD4D – Double-stage screw compressor for specialized applications



Technical data

	Units	CD4D VSD
Type of drive		Electric drive
Volume flow *1	m ³ /min (<i>cfm</i>)	7.1 (250)
Motor speed	<i>rpm</i>	1,800 – 5,400
Outlet pressure (min./max.)	bar(a) (<i>psi(a)</i>)	4.5 / 11.5 (65 / 167)
Shaft power *1	kW (<i>hp</i>)	16.1/55.7 (21.6/74.7)
*Length x Width x Height	mm (<i>inch</i>)	805 x 506 x 846 (31.7 x 20 x 33.3)
Weight	kg (<i>lbs</i>)	440 (970)
Outlet flange	DIN EN 1092	Ø 32 mm
Oil connection	DIN 3852	2xG 1/4; 1xG 3/8
Oil outlet	DIN 3852	G 1 1/4
Port for oil heater	DIN EN 1092-2	DN50 / PN6
Cooling in/out	DIN 3852	G 1/2
Vibration measurement		10 x SPM

Medium: Air, Inlet temperature 20°C/68°F, Inlet pressure 1 bar(a)/14.5 psi(a), RH: 60%;

Note: *1 estimated at 8 bar(a)/116 psi(a)

Advantage

- Lifetime compression efficiency: rotors and internal surfaces of housing treated with **Ultracoat**. (Our coating prevents corrosion and improves efficiency of the compression process. Ultracoat has an exceptionally long life and is resistant to high temperature and high pressure.)

Ease of installation

- Integrated concept: Compressor stages, lube pump and drive system integrated in one block
- Robust design reliable in operation under the most difficult conditions

Ingersoll-Rand Trading GmbH

Max-Planck-Ring 27 • 46049 Oberhausen • Germany

Phone +49 (0) 208 9994-0 • Fax +49 (0) 208 9994-111

industrial-sales@ghhrand.com • www.ghhrand.com

