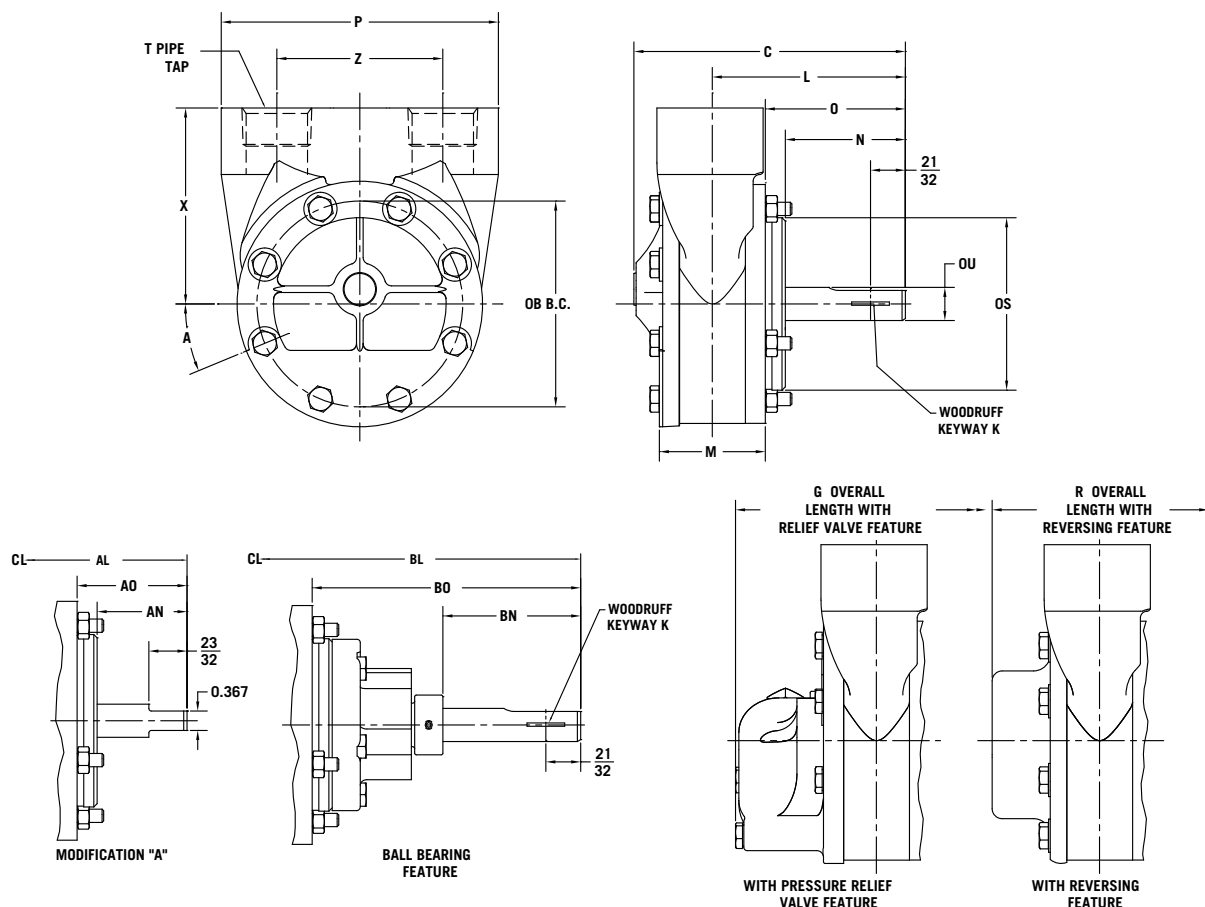


C2FA PUMP MOUNTING DIMENSIONS

All measurements are in inches.



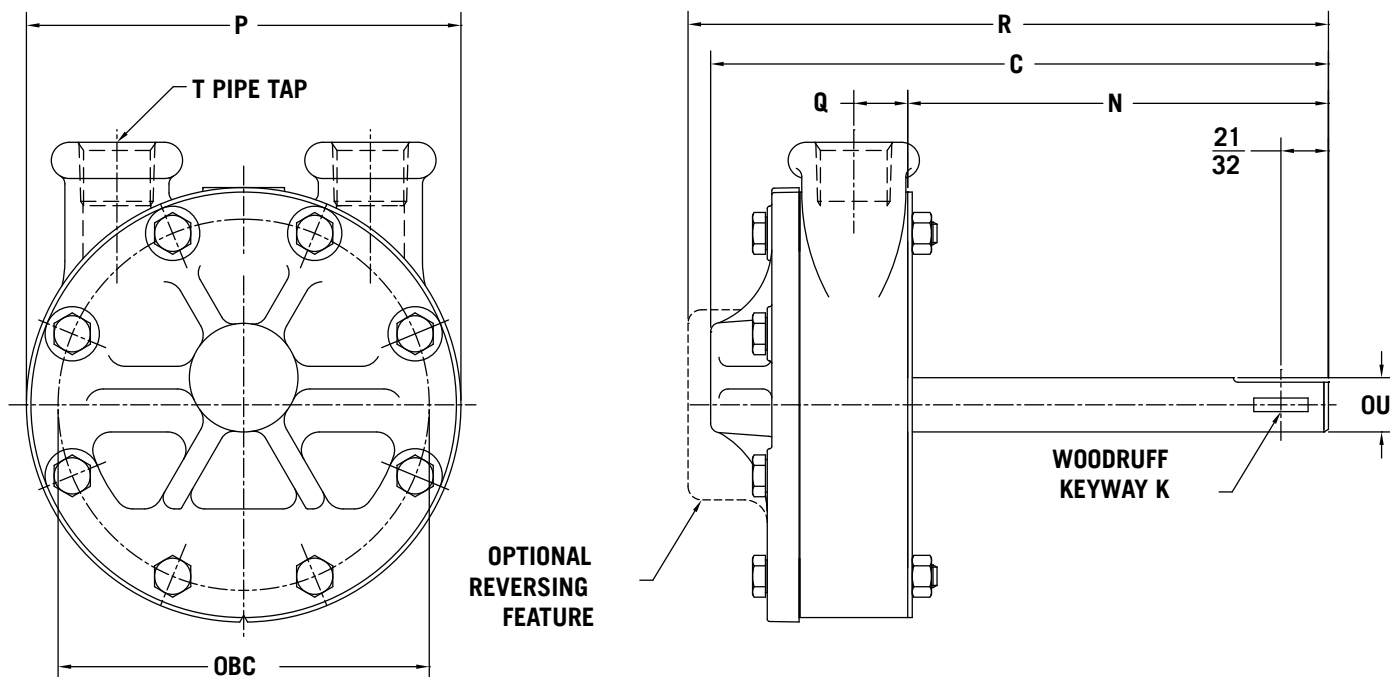
Model #	A	B	C	R	G	K	L	M	N	O	P	S
2C2FA	22-1/2°	3-7/8"	5-1/8"	5-21/32"	6-7/32"	#406	3-5/8"	2"	2-1/8"	2-5/8"	5-7/32"	3-1/4"
3C2FA	22-1/2°	5-1/8"	6-17/32"	6-7/8"	7-17/32"	#606	4-13/16"	2-5/16"	2-19/32"	3-7/16"	6-5/8"	3-3/4"
4C2FA	22-1/2°	5-1/8"	7-27/32"	7-9/16"	8-7/32"	#606	4-29/32"	3"	2-19/32"	3-7/16"	6-1/2"	3-3/4"
5C2FA	17°	6-5/8"	9-1/16"	11-5/8"	10-1/4"	#808	5-3/4"	4-5/16"	2-3/4"	3-3/8"	7-1/2"	3-3/4"
6C2FA	17°	6-5/8"	9-1/2"	12-1/8"	10-3/4"	#808	6"	4-13/16"	2-3/4"	3-3/8"	8-1/8"	3-3/4"

Model #	T	U	X	Z	AL	AN	AO	BL	BN	BO
2C2FA	1" NPT	5/8"	3-11/16"	3-1/8"	3-1/16"	1-9/16"	2-1/16"	6-1/16"	2-19/32"	5-1/32"
3C2FA	1-1/4" NPT	3/4"	4-7/8"	4-1/8"	3-7/16"	1-7/32"	2-1/16"	6-13/16"	2-25/32"	5-7/16"
4C2FA	1-1/2" NPT	3/4"	4-1/8"	3-3/4"	3-17/32"	1-7/32"	2-1/16"	6-29/32"	2-25/32"	5-7/16"
5C2FA	1-1/2" NPT	1"	5"	4-3/4"	4-1/4"	1-1/4"	1-7/8"	6-7/8"	1-29/32"	4-1/2"
6C2FA	2" NPT	1"	4-3/4"	4-3/4"	4-1/2"	1-1/4"	1-7/8"	7-1/8"	1-29/32"	4-1/2"

NOTE: In conjunction with our program of continuous testing and design upgrading, all specifications are subject to change without notice. All data is approximate. Request a quotation for your specific application.

C2S MOUNTING DIMENSIONS

All measurements are in inches.

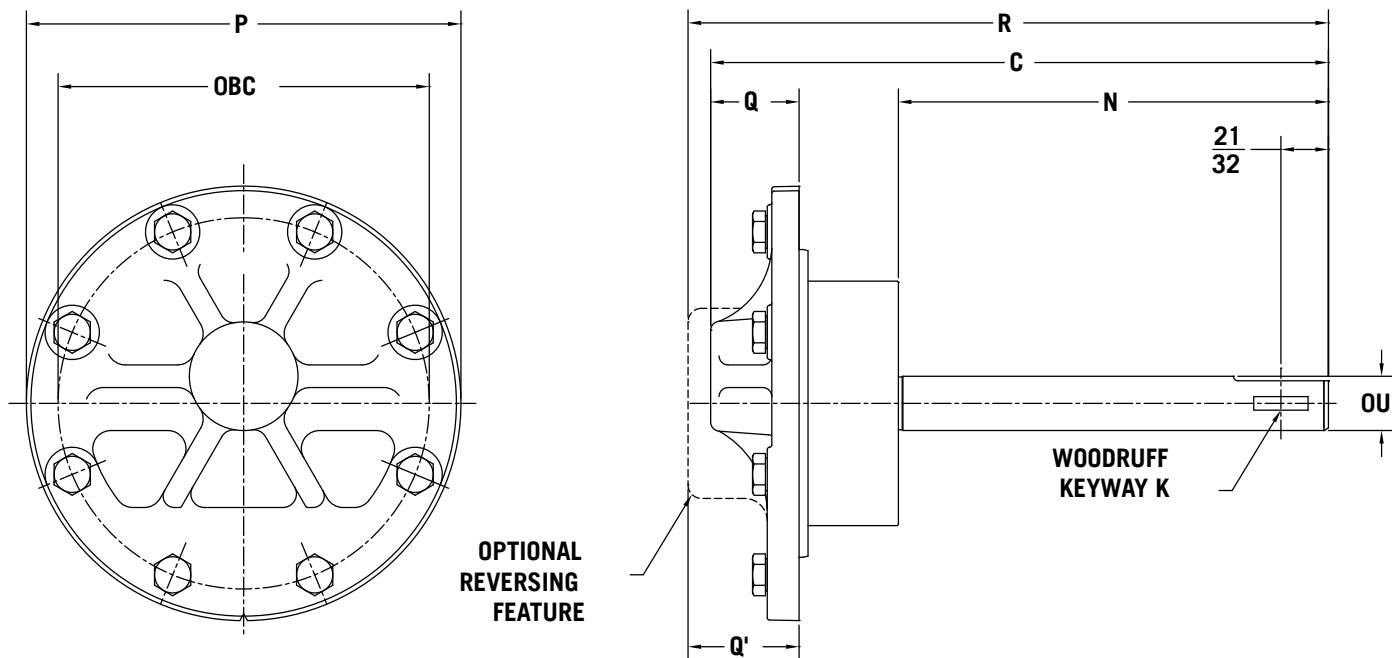


Model #	BC	C	R	K	N	P	Q	T	U
2C2S	3-7/8"	7-9/16"	8-1/16"	#406	5-7/16"	4-5/8"	5/8"	1/2" NPT	$\frac{.624}{.623}$
3C2S	5-1/8"	8-1/2"	8-7/8"	#606	5-13/16"	6"	3/4"	3/4" NPT	$\frac{.749}{.748}$
4C2S	5-1/8"	9-1/4"	9-9/16"	#606	5-13/16"	6"	1-1/4"	1" NPT	$\frac{.749}{.748}$
5C2S	6-5/8"	11-7/8"	14-1/2"	#808	7-1/4"	7-1/2"	1-3/8"	1-1/4" NPT	$\frac{.999}{.998}$
6AC2S	6-5/8"	12-3/8"	15"	#808	7-1/4"	7-1/2"	1-5/8"	2" NPT	$\frac{.999}{.998}$

NOTE: In conjunction with our program of continuous testing and design upgrading, all specifications are subject to change without notice. All data is approximate. Request a quotation for your specific application.

C2SA PUMP MOUNTING DIMENSIONS

All measurements are in inches.

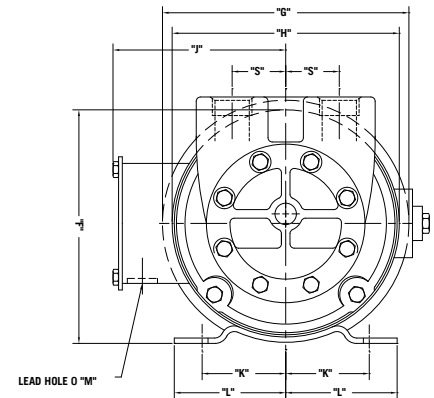
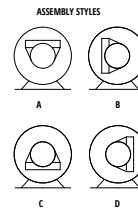
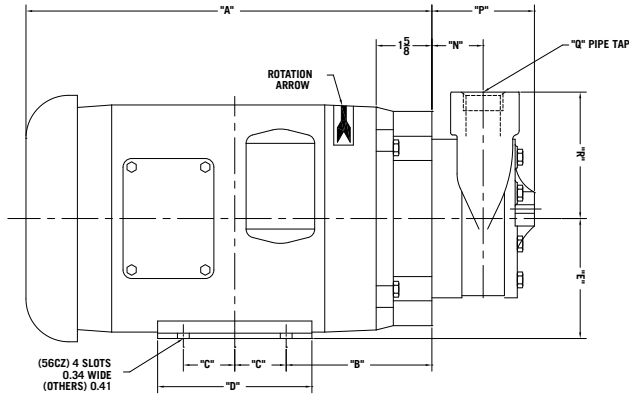


Model #	BC	C	R	K	N	P	Q	Q'	U
2C2SA	3-7/8"	7-9/16"	8-1/16"	#406	5-9/16"	4-5/8"	3/4"	1-15/16"	$\frac{.624}{.623}$
3C2SA	5-1/8"	8-1/2"	8-7/8"	#606	5-15/16"	6"	1-1/4"	1-11/16"	$\frac{.749}{.748}$
4C2SA	5-1/8"	9-1/4"	9-9/16"	#606	5-15/16"	6"	1-7/8"	1-11/16"	$\frac{.749}{.748}$
5C2SA	6-5/8"	11-7/8"	14-1/2"	#808	7-7/16"	7-1/2"	1-15/16"	4-1/2"	$\frac{.999}{.998}$
6C2SA	6-5/8"	12-3/8"	15"	#808	7-7/16"	7-1/2"	1-15/16"	4-1/2"	$\frac{.999}{.998}$

NOTE: In conjunction with our program of continuous testing and design upgrading, all specifications are subject to change without notice. All data is approximate. Request a quotation for your specific application.

DIMENSIONS FOR 2CF CLOSE COUPLED PUMPS TO THREE PHASE MOTORS

All measurements are in inches.



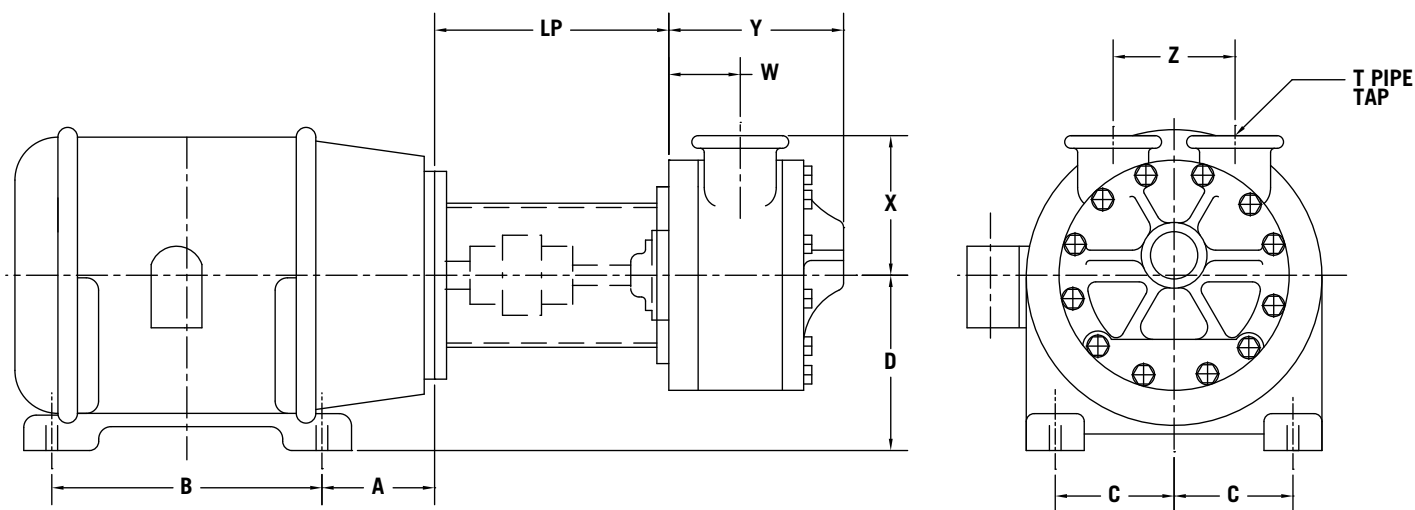
Model #	"N"	"P"	"R"	"S"	"Q" - NPT
2C2F	1-1/32"	2-17/32"	3-11/16"	1-9/16"	1" - 11-1/2
3C2F	1-3/8"	3-3/32"	4-7/8"	2-1/16"	1-1/4" - 11-1/2
4C2F	1-15/32"	4-13/32"	4-1/8"	1-7/8"	1-1/2" - 11-1/2

Model	HP	Description	"A"	"B"	"C"	"D"	"E"	"F"	"G"	"H"	"J"	"K"	"L"	"M"	WT.
88501	3/4	3PH/50/60/190/380/220/440 VOLT, 208-220/440 VOLT, 1425/1725 RPM, TEFC, 56CZ FRAME	11.81"	4.20"	1.50"	4.50"	3.50"	6.81"	7.16"	6.62"	5.22"	2.44"	3.25"	0.88"	26
88502	3/4	3PH/50//60/190/380/220/440 VOLT, 208-220/440 VOLT, 950/1125 RPM, TEFC, 56CZ FRAME	12.81"	4.20"	1.50"	4.50"	3.50"	6.81"	7.16"	6.62"	5.22"	2.44"	3.25"	0.88"	35
89253	1	3PH/50/60/190/380/220/440 VOLT, 208-220/440 VOLT, 1425/1725 RPM, TEFC, 56CZ FRAME	11.81"	4.20"	1.50"	4.50"	3.50"	6.81"	7.16"	6.62"	5.22"	2.44"	3.25"	0.88"	28
89254	1	3PH/50/60/190/380/230/460 VOLT, 208-230/460 VOLT, 950/1125 RPM, TEFC, 184CZ FRAME	13.81"	4.25"	2.75"	6.50"	4.50"	8.44"	8.60"	7.88"	5.97"	3.75"	4.31"	1.09"	50
89255	1-1/2	3PH/50//60/190/380/230/460 VOLT, 208-230/460 VOLT, 1425/1725 RPM, TEFC, 184CZ FRAME	13.81"	4.25"	2.75"	6.50"	4.50"	8.44"	8.60"	7.88"	5.97"	3.75"	4.31"	1.09"	51
89256	1-1/2	3PH/50/60/190/380/230/460 VOLT, 208-230/460 VOLT, 950/1125 RPM, TEFC, 184CZ FRAME	15.17"	4.25"	2.75"	6.50"	4.50"	8.44"	8.60"	7.88"	5.97"	3.75"	4.31"	1.09"	57
89257	2	PH/50/60/190/380/230/460 VOLT, 208-230/460 VOLT, 1425/1725 RPM, TEFC, 184CZ FRAME	13.81"	4.25"	2.75"	6.50"	4.50"	8.44"	8.60"	7.88"	6.00"	3.75"	4.31"	1.09"	55
89258	3	3PH/50//60/190/380/230/460 VOLT, 208-230/460 VOLT, 1425/1725 RPM, TEFC, 213CZ FRAME	15.18"	4.88"	2.75"	6.50"	5.22"	9.16"	8.50"	7.88"	5.97"	4.25"	4.75"	1.06"	73
89259	3	3PH/50/60/190/380/230/460 VOLT, 208-230/460 VOLT, 950/1125 RPM, TEFC, 215CZ FRAME	16.03"	4.25"	3.50"	8.00"	5.25"	10.03"	10.62"	9.56"	7.46"	4.25"	4.75"	1.09"	95
89260	3	3PH/50/60/190/380/230/460 VOLT, 208-230/460 VOLT, 950/1125 RPM, TEFC, 213CZ FRAME	16.68"	4.88"	2.75"	6.50"	5.22"	9.16"	8.50"	7.88"	5.97"	4.25"	4.75"	1.06"	71

NOTE: In conjunction with our program of continuous testing and design upgrading, all specifications are subject to change without notice. All data is approximate. Request a quotation for your specific application.

DIMENSIONS FOR ADAPTER MOUNTING 2CF PUMPS TO NEMA C FRAME MOTORS

All measurements are in inches.



Pump Model	Motor Frame Size	LP	Adapter	Adapter Kit
2C2F	56C	5-11/16"	2CF51	2CF534
	143TC, 145TC	5-11/16"	2CF51	2CF534A
	182TC, 184TC	6-1/8"	2C1F51-182	2C1F534-182
3C2F 4C2F	56C	6-1/4"	3CF51	3CF534
	143TC, 145TC	6-1/4"	3CF51	3CF534A
	182TC, 184TC	6-15/16"	3C1F51-182	3C1F534-182
	213TC, 215TC	7-11/16"	3C1F51-213	3C1F534-213
5C2F 6C2F	182TC, 184TC	6-7/8"	5C1F51-182	5C1F534-182
	213TC, 215TC	7-5/8"	5C1F51-213	5C1F534-213
	254TC, 256TC	8-5/16"	5C1F51-254	5C1F534-254
	284TC, 286TC	9-1/4"	5C1F51-284	5C1F534-284
	324TC, 326TC	9-3/4"	5C1F51-324	5C1F534-324

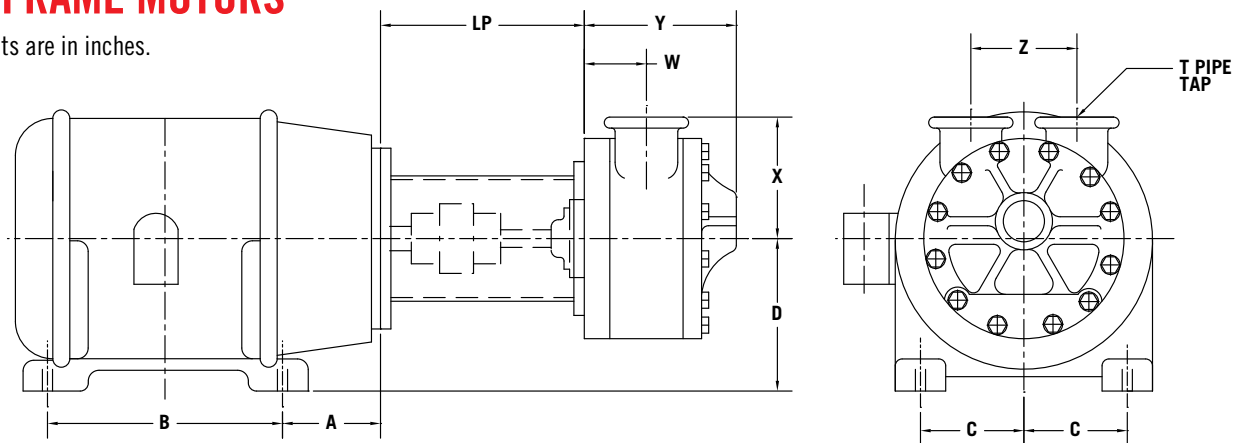
MOTOR FRAME	A	B	C	D
56C	2-3/4"	3"	2-7/16"	3-1/2"
143TC	2-1/4"	4"	2-3/4"	3-1/2"
145TC	2-1/4"	5"	2-3/4"	3-1/2"
182TC	2-3/4"	4-1/2"	3-3/4"	4-1/2"
184TC	2-3/4"	5-1/2"	3-3/4"	4-1/2"
213TC	3-1/2"	5-1/2"	4-1/4"	5-1/4"
215TC	3-1/2"	7"	4-1/4"	5-1/4"
254TC	4-1/4"	8-1/4"	5"	6-1/4"
256TC	4-1/4"	10"	5"	6-1/4"
284TC	4-3/4"	9-1/2"	5-1/2"	7"
286TC	4-3/4"	11"	5-1/2"	7"
324TC	5-1/4"	10-1/2"	6-1/4"	8"
326TC	5-1/4"	12"	6-1/4"	8"

Pump Model	T	W	X	Y	Y DIMENSION WITH RELIEF VALVE	Z
2C2F	1" NPT	1"	3-11/16"	2-1/2"	3-19/32"	3-1/8"
3C2F	1-1/4" NPT	1-3/8"	4-7/8"	3-3/32"	4-3/32"	4-1/8"
4C2F	1-1/2" NPT	1-15/32"	4-1/8"	4-13/32"	5-13/32"	3-3/4"
5C2F	1-1/2" NPT	2-3/8"	5"	5-11/16"	6-15/16"	4-3/4"
6C2F	2" NPT	2-5/8"	4-3/4"	6-1/8"	7-3/8"	4-3/4"

NOTE: In conjunction with our program of continuous testing and design upgrading, all specifications are subject to change without notice. All data is approximate. Request a quotation for your specific application.

DIMENSIONS FOR ADAPTER MOUNTING 2CB & 4300 PUMPS TO NEMA C FRAME MOTORS

All measurements are in inches.



Pump Model	Motor Frame Size	LP	Adapter	Adapter Kit
2C2B 4312	56C	7-5/16"	2C1B51-56	2C1B534-56
	143TC, 145TC	7-5/16"	2C1B51-56	2C1B534-143
	182TC, 184TC	8-9/16"	2C1B51-182	2C1B534-182
3C2B 4313 4C2B 4314	56C	8-5/16"	3C2B51-56	3C2B534-56
	143TC, 145TC	8-5/16"	3C2B51-56	3C2B534-143
	182TC, 184TC	8-15/16"	3C2B51-182	3C2B534-182
	213TC, 215TC	9-11/16"	3C2B51-213	3C2B534-213
5C2B 4315 6C2B 4316	182TC, 184TC	9-3/4"	5C2B51-182	5C2B534-182
	213TC, 215TC	10-1/2"	5C2B51-213	5C2B534-213
	254TC, 256TC	11-3/16"	5C2B51-254	5C2B534-254
	284TC, 286TC	11-15/16"	5C2B51-284	5C2B534-284
	324TC, 326TC	12-11/16"	5C2B51-324	5C2B534-324

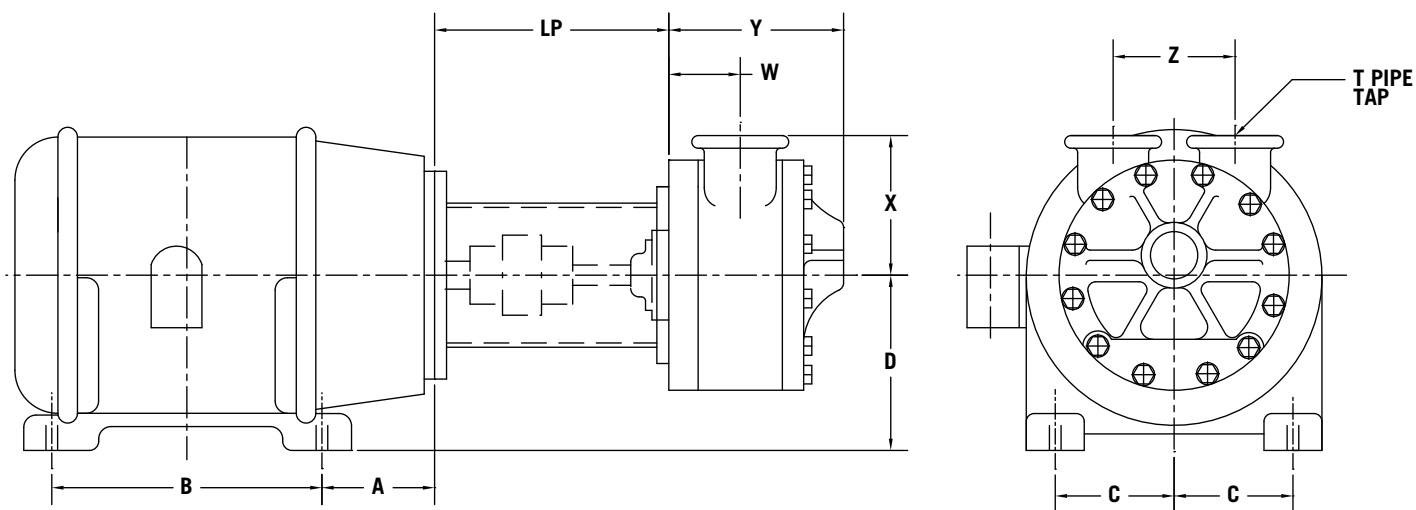
MOTOR FRAME	A	B	C	D
56C	2-3/4"	3"	2-7/16"	3-1/2"
143TC	2-1/4"	4"	2-3/4"	3-1/2"
145TC	2-1/4"	5"	2-3/4"	3-1/2"
182TC	2-3/4"	4-1/2"	3-3/4"	4-1/2"
184TC	2-3/4"	5-1/2"	3-3/4"	4-1/2"
213TC	3-1/2"	5-1/2"	4-1/4"	5-1/4"
215TC	3-1/2"	7"	4-1/4"	5-1/4"
254TC	4-1/4"	8-1/4"	5"	6-1/4"
256TC	4-1/4"	10"	5"	6-1/4"
284TC	4-3/4"	9-1/2"	5-1/2"	7"
286TC	4-3/4"	11"	5-1/2"	7"
324TC	5-1/4"	10-1/2"	6-1/4"	8"
326TC	5-1/4"	12"	6-1/4"	8"

Pump Model	T	W	X	Y	Y DIMENSION WITH RELIEF VALVE	Z
2C2B 4312	1" NPT	1"	3-11/16"	2-1/2"	3-19/32"	3-1/8"
3C2B 4313	1-1/4" NPT	1-3/8"	4-7/8"	3-3/32"	4-3/32"	4-1/8"
4C2B 4314	1-1/2" NPT	1-15/32"	4-1/8"	4-13/32"	5-13/32"	3-3/4"
5C2B 4315	1-1/2" NPT	2-3/8"	5"	5-11/16"	6-15/16"	4-3/4"
6C2B 4316	2" NPT	2-5/8"	4-3/4"	6-1/8"	7-3/8"	4-3/4"

NOTE: In conjunction with our program of continuous testing and design upgrading, all specifications are subject to change without notice. All data is approximate. Request a quotation for your specific application.

DIMENSIONS FOR ADAPTER MOUNTING CK2B PUMPS TO NEMA C FRAME MOTORS

All measurements are in inches.



Pump Model	Motor Frame Size	LP	Adapter	Adapter Kit
4CK1B	56C	8-5/8"	3CK1B51-56	3CK1B534-56
	143TC, 145TC	8-5/8"	3CK1B51-56	3CK1B534-56
	182TC, 184TC	9-1/8"	3CK1B51-182	3CK1B534-182
	213TC, 215TC	10-1/4"	3CK1B51-213	3CK1B534-213
6CK1B	182TC, 184TC	10-5/16"	5CK1B51-182	5CK1B534-182
	213TC, 215TC	11-1/16"	5CK1B51-213	5CK1B534-213
	254TC, 256TC	11-7/8"	5CK1B51-254	5CK1B534-254
	284TC, 286TC	12-7/8"	5CK1B51-284	5CK1B534-284
	324TC, 326TC	13-3/4"	5CK1B51-324	5CK1B534-324

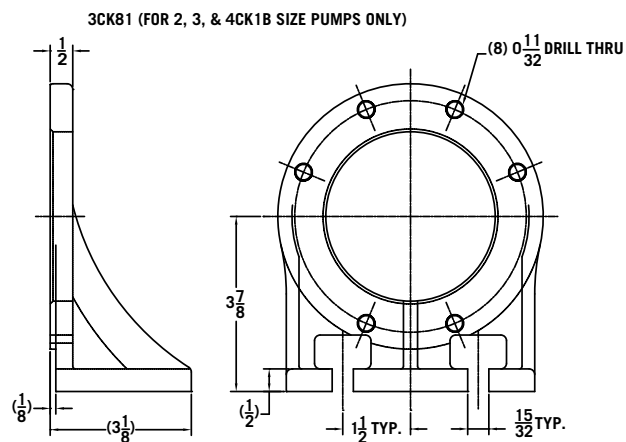
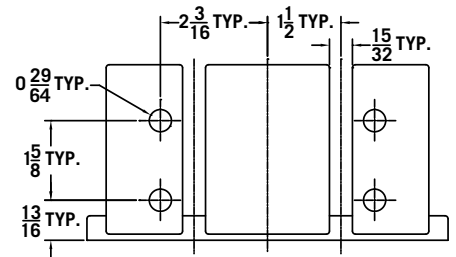
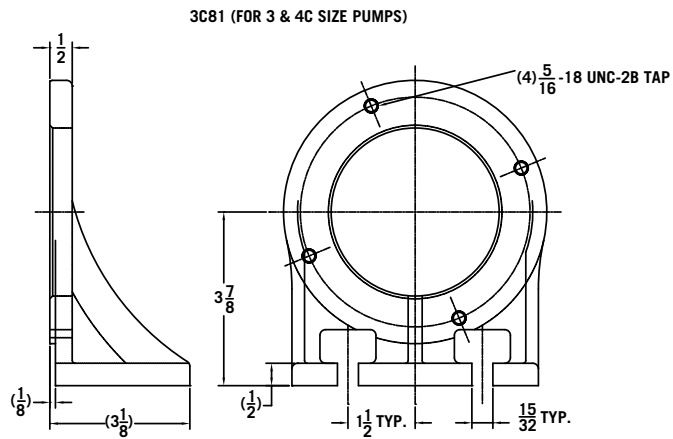
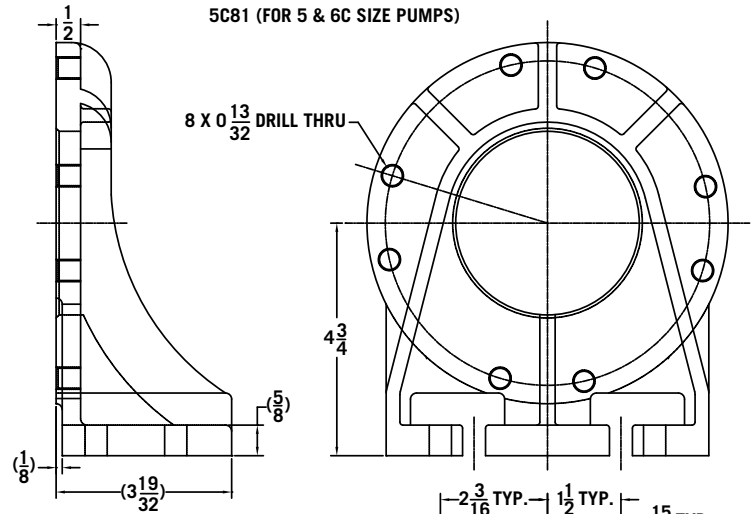
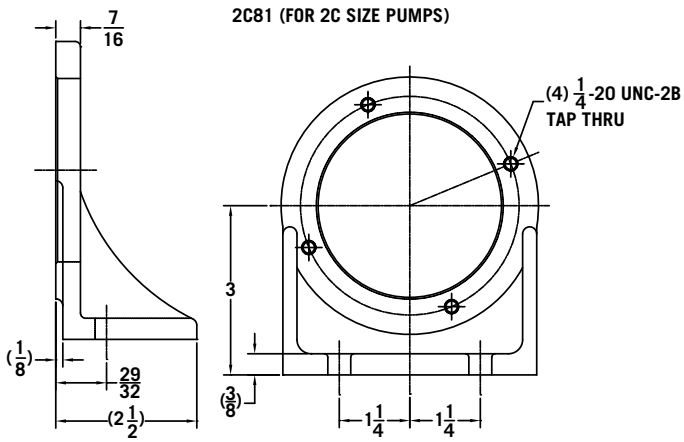
MOTOR FRAME	A	B	C	D
56C	2-3/4"	3"	2-7/16"	3-1/2"
143TC	2-1/4"	4"	2-3/4"	3-1/2"
145TC	2-1/4"	5"	2-3/4"	3-1/2"
182TC	2-3/4"	4-1/2"	3-3/4"	4-1/2"
184TC	2-3/4"	5-1/2"	3-3/4"	4-1/2"
213TC	3-1/2"	5-1/2"	4-1/4"	5-1/4"
215TC	3-1/2"	7"	4-1/4"	5-1/4"
254TC	4-1/4"	8-1/4"	5"	6-1/4"
256TC	4-1/4"	10"	5"	6-1/4"
284TC	4-3/4"	9-1/2"	5-1/2"	7"
286TC	4-3/4"	11"	5-1/2"	7"
324TC	5-1/4"	10-1/2"	6-1/4"	8"
326TC	5-1/4"	12"	6-1/4"	8"

Pump Model	T	W	X	Y	Y DIMENSION WITH RELIEF VALVE	Z
4CK1B	1" NPT	1-3/16"	3-3/4"	3-19/32"	4-19/32"	3-3/4"
6CK1B	2" NPT	1-3/4"	4-3/4"	5-9/16"	6-13/16"	4-3/4"

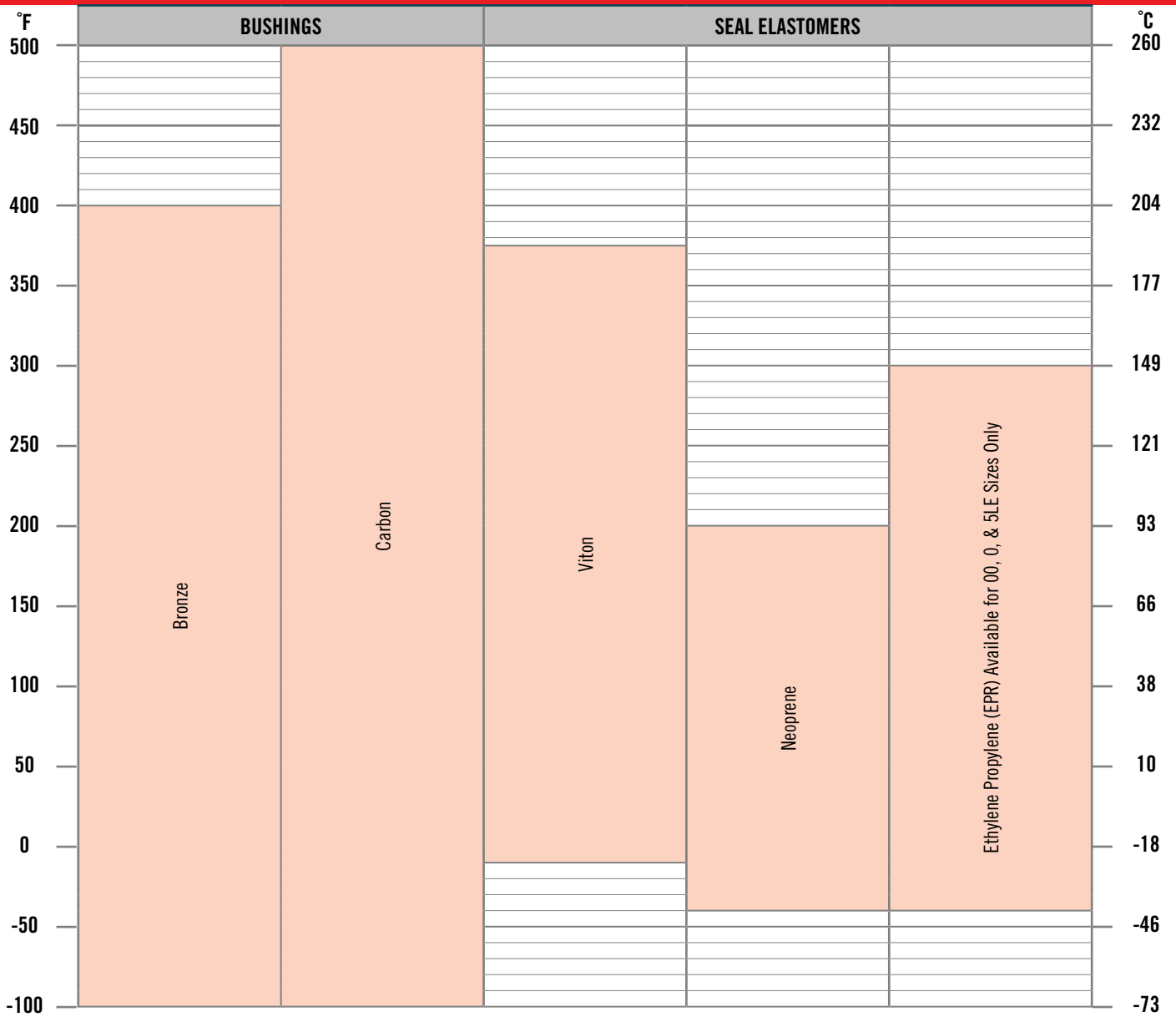
NOTE: In conjunction with our program of continuous testing and design upgrading, all specifications are subject to change without notice. All data is approximate. Request a quotation for your specific application.

DIMENSIONS FOR C SERIES MOUNTING FEET (2C81, 3C81, 3CK81 & 5C81)

All measurements are in inches.



C SERIES TEMPERATURE LIMITS



C SERIES MATERIALS OF CONSTRUCTION

PART NAME	MATERIAL	STANDARD	COMMENTS	AVAILABILITY
HOUSING	Cast Iron	ASTM A48 - 96a	Classes 30, 35, or 40	Standard
BRACKET	Cast Iron	ASTM A48 - 96a	Classes 30, 35, or 40	Standard
BRACKET BUSHING	Bronze	SAE 660		Standard
	Carbon			Optional
COVER	Cast Iron	ASTM A48 - 96a	Classes 30, 35, or 40	Standard
ROTOR	Steel	C1137 or C1141	Steel Forging	Standard
IDLER	P/M Steel	FC-0508-P		Standard
IDLER PIN	Steel	C1117	Heat Treated	Standard
IDLER BUSHING	Bronze	SAE 660		Standard
	Carbon	Carbon Graphite Resin		Optional
SEAL GLAND	Cast Iron	ASTM A48 - 96a	Classes 30, 35, or 40	Standard
	DU Bushing		Only on C2B models	
O-RINGS & SEALS	Viton			Standard
	Neoprene			Optional
	EPR			Optional

C PUMP NPSH_r DATA

Pump Series	300 RPM	600 RPM	900 RPM	1200 RPM	1500 RPM	1800 RPM
2	1.2'	2.0'	2.8'	3.8'	5.1'	6.6'
3	1.4'	2.4'	3.6'	5.2'	7.1'	9.4'
4	1.6'	2.7'	4.4'	6.5'	9.1'	12.2'
5	1.8'	3.0'	5.2'	8.2'	11.9'	16.2'
6	2.0'	3.3'	6.0'	9.9'	14.8'	20.1'

VISCOSITY CORRECTION FACTOR

Viscosity	2500 SSU	5000 SSU	10000 SSU	25000 SSU
Correction Factor	1.3	1.7	2.0	2.7

REGULATORY COMPLIANCE INFORMATION



ATEX

The C Series pumps' technical file is lodged in accordance with Article 13(1)(b)(ii) of ATEX Directive 2014/34/EU of 26 February 2014

THE FOLLOWING STANDARDS WERE USED TO VERIFY CONFORMANCE:

2006/42/EC – The Machinery Directive

EN 1127-1:2011 – Explosive atmospheres - Explosion prevention and protection - Part 1: Basic concepts and methodology

EN ISO 80079-36:2016 – Explosive atmospheres - Part 36: Non-electrical equipment for explosive atmospheres - Basic method and requirements

EN ISO 80079-37:2016 – Explosive atmospheres - Part 37: Non-electrical equipment for explosive atmospheres - Nonelectrical type of protection constructional safety "c", control of ignition sources "b", liquid immersion "k"



Ingersoll Rand's C Series pumps and 4100 series pumps are UL listed for Power-operated pumps for fuel oil service.



The C Series pumps comply with the European Directive 2006/42/EC

THE FOLLOWING STANDARDS WERE USED TO VERIFY CONFORMANCE:

EN ISO 12100:2010 – Safety of machinery - General principles for design

EN 809:1998+A1:2009 – Pumps and pump units for liquids - Common safety requirements

2011/65/EU – The Restriction of Hazardous Substances Directive

Ingersoll Rand

12500 South Pulaski Road
Alsip, Illinois 60803 USA
P: 708.389.2500
www.ingersollrand.com/pumps

Birkdale Close
Manners Industrial Estate
Ilkeston, Derbyshire DE7 8YA UK
P: 44.0.115.932.5226
www.ingersollrand.com/pumps

