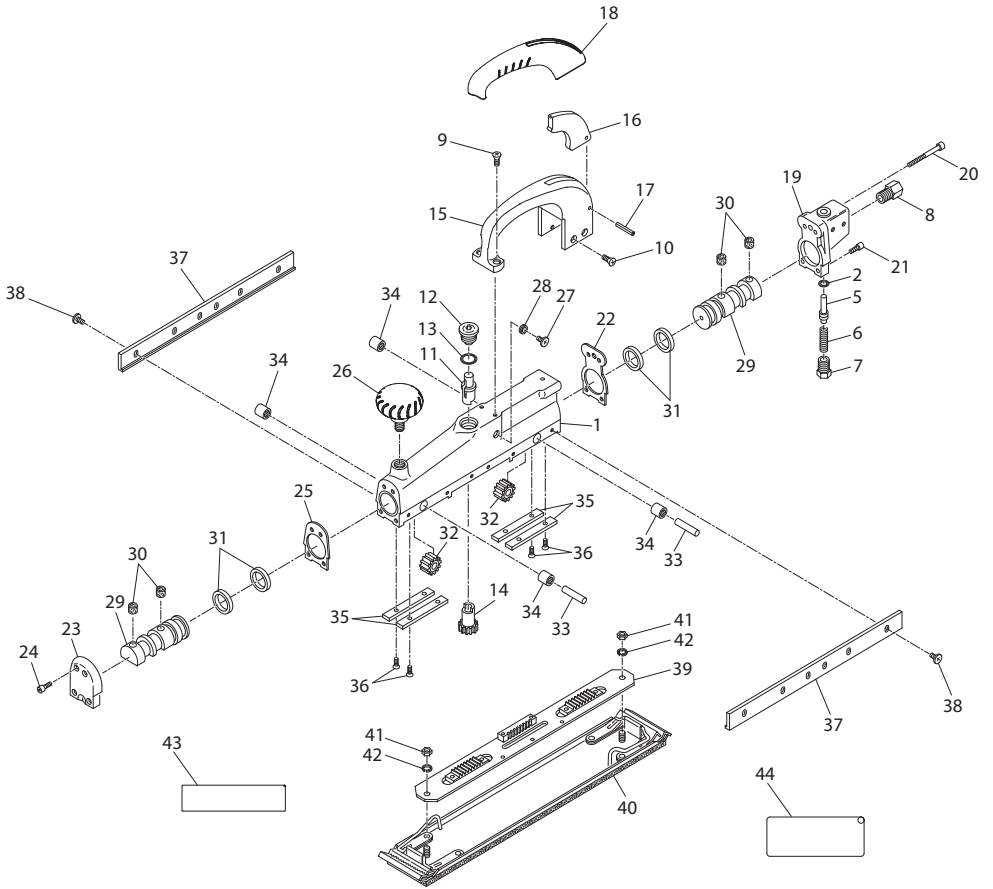


**Model 315G Straight Line Air Sander - Exploded Diagram**



(Dwg. 45661089)



## Model 315G Straight Line Air Sander - Parts List

Item	Part Description	Part Number	Item	Part Description	Part Number
1	Housing Assembly (includes reverse valve bushing)	315G-A40	23	Fronthead	315G-240
			24	Fronthead Mounting Screw (4)	315-321
2	Throttle Valve Seal	315-306	25	Fronthead Gasket	315-739
5	Throttle Valve	315-304	26	Front Handle	315G-48
6	Throttle Valve Spring	315-305	27	Oiler Cavity Screw	315-328
7	Throttle Valve Spring Seat	315-103	28	Oiler Cavity Washer	315-329
8	Inlet Bushing	315-565	29	Piston Assembly (2)	315-A5
9	Rear Handle Screw (2) (long)	315-326	30	Felt Piston Plug (2 for each piston)	315-7
10	Rear Handle Screw (4) (short)	315-320	31	Piston Seal Ring (2 for each piston)	315-6
11	Reverse Valve	315-330	32	Piston Pinion Gear (2)	315-9
12	Reverse Valve Cap Assembly	315-A331	33	Piston Pinion Gear Shaft (2)	315-191
13	Reverse Valve Cap O-Ring	315-332	34	Pinion Gear Shaft Bearing (4)	315-24
14	Reverse Valve Pinion	315-310	35	Wear Plate (4)	315-37
*	Rear Handle Assembly	315G-A59	36	Wear Plate Screw (8)	315-324
15	Rear Handle	---	37	Guide Plate (2)	315-36
16	Throttle Lever	---	38	Guide Plate Screw (12)	315-327
17	Throttle Lever Pin	---	39	Drive Board (includes racks)	315-38
18	Grip	---	40	Sanding Pad Assembly	315-39
19	Backhead (includes throttle valve bushing)	315G-A102	41	Sanding Pad Nut (2)	315-323
20	Backhead Mounting Screw (2) (long)	315-325	42	Sanding Pad Lock Washer (2)	315-441
21	Backhead Mounting Screw (2) (short)	315-321	43	Nameplate	315G-300
22	Backhead Gasket	315-740	44	Warning Label	315G-301

\* Not Illustrated.

### Parts and Maintenance

When the life of the tool has expired, it is recommended that the tool be disassembled, degreased and parts be separated by material so that they can be recycled.

Tool repair and maintenance should only be carried out by an authorized Service Center.

Refer all communications to the nearest **Ingersoll Rand** Office or Distributor.

### Related Documentation

For additional information refer to:

Product Safety Information Manual 04584967.

Product Information Manual 45661121.

Manuals can be downloaded from [www.ingersollrandproducts.com](http://www.ingersollrandproducts.com)