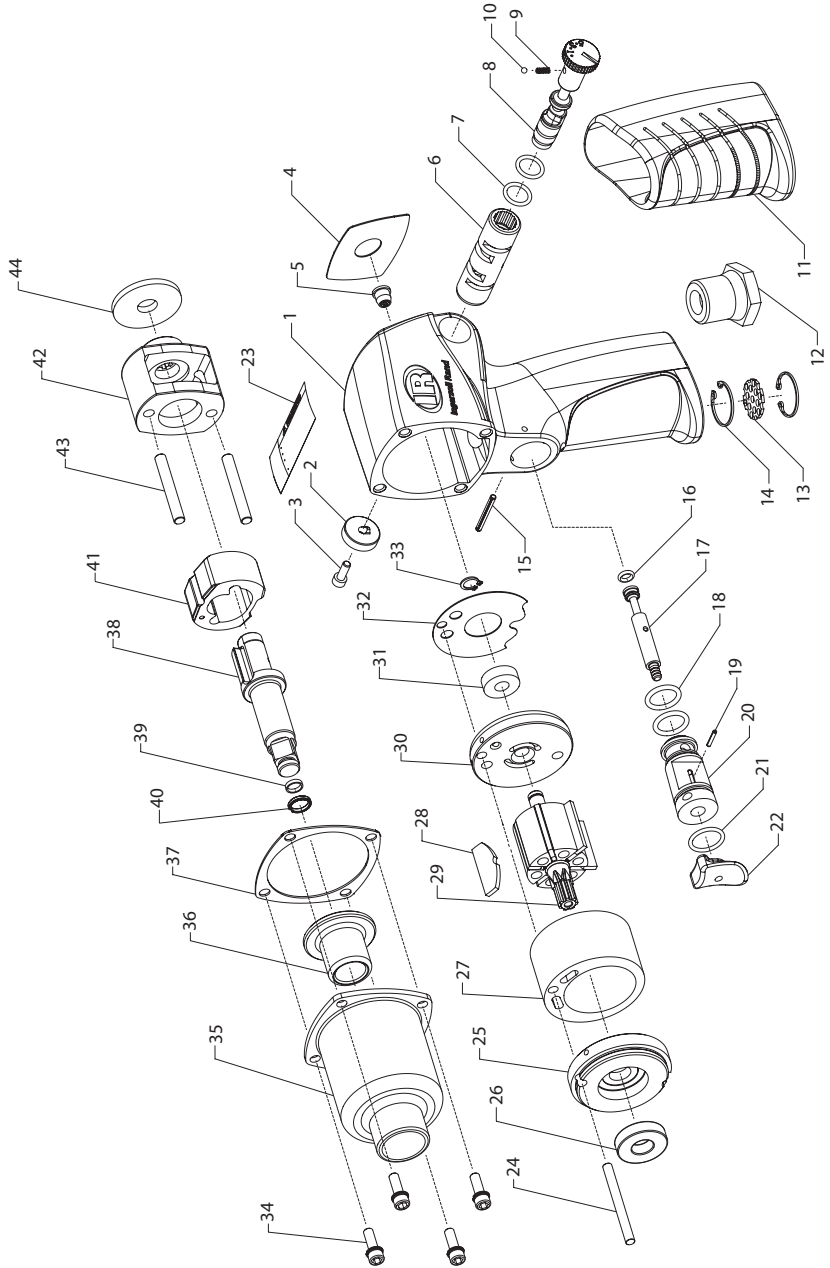


Model 215G Air Impactool™ Exploded Diagram



(Dwg. 46805305)



Model 215G Air Impactool™ Parts List

Item	Part Description	Part Number	Item	Part Description	Part Number
1	Housing Assembly	215G-A40	24	Cylinder Dowel	HH92-74
2	Reverse Valve Knob	1702P-666	† 25	Front End Plate	201-11
3	Knob Screw	WWA100-77	26	Front Rotor Bearing	222A-97
4	Nameplate	215G-301	† 27	Cylinder	401-3
5	Grease Fitting	131-188	28	Vane Packet (Set/6)	401-42A-6
6	Reverse Valve Bushing	1702P-330	29	Rotor	401-53
† 7	Reverse Valve O-Ring (2)	CE110-210	† 30	Rear End Plate	201-12
8	Reverse Valve	1702P-329	31	Rear Rotor Bearing	401-22
† 9	Detent Ball Spring	202-664	† 32	End Plate Gasket	202-739
† 10	Detent Ball	R000B-263	33	Rear Rotor Bearing Retainer	MF-18
11	Grip	236-747	34	Hammer Case Cap Screw (4)	1702-638
12	Inlet Bushing	402-565	35	Hammer Case Assembly	215G-D727
† 13	Exhaust Deflector	1702P-123	36	Hammer Case Bushing	401-641
14	Exhaust Deflector Retaining Ring (2)	2908-304	† 37	Hammer Case Gasket	215G-36
15	Bushing Retaining Pin	R100B-120	38	Anvil Assembly	1702-A626
	Throttle Valve Assembly	202-A302	† 39	Retainer Support Ring	1702-426
† 16	O-Ring	R000BR1C-283	† 40	Retainer Ring	1702-425
17	Throttle Valve	202-302	41	Hammer	1702-724A
† 18	Bushing O-Ring Small(2)	202-290	42	Hammer Frame Assembly	1702-A703A
19	Throttle Valve Retaining Pin	AF120-322	43	Hammer Pin (2)	1702-704
20	Throttle Valve Bushing	202-503	44	Hammer Frame Washer	1702-706
† 21	Bushing O-Ring Large	410-283		Mechanism Kit (includes 38, 41, 42)	212A-THK
22	Trigger	5RA-93		Tune Up Kit	215G-TK2
23	Warning label	WARNING-27-99			

† Indicates Tune Up Kit part.

Parts and Maintenance

When the life of the tool has expired, it is recommended that the tool be disassembled, degreased and parts be separated by material so that they can be recycled.

Tool repair and maintenance should only be carried out by an authorized Service Center.

Refer all communications to the nearest **Ingersoll Rand** Office or Distributor.

Related Documentation

For additional information refer to:

Air Impact Wrench Product Safety Information Manual 04580916.

Air Impact Wrench Product Information Manual 46805370.

Manuals can be downloaded from www.ingersollrandproducts.com.

