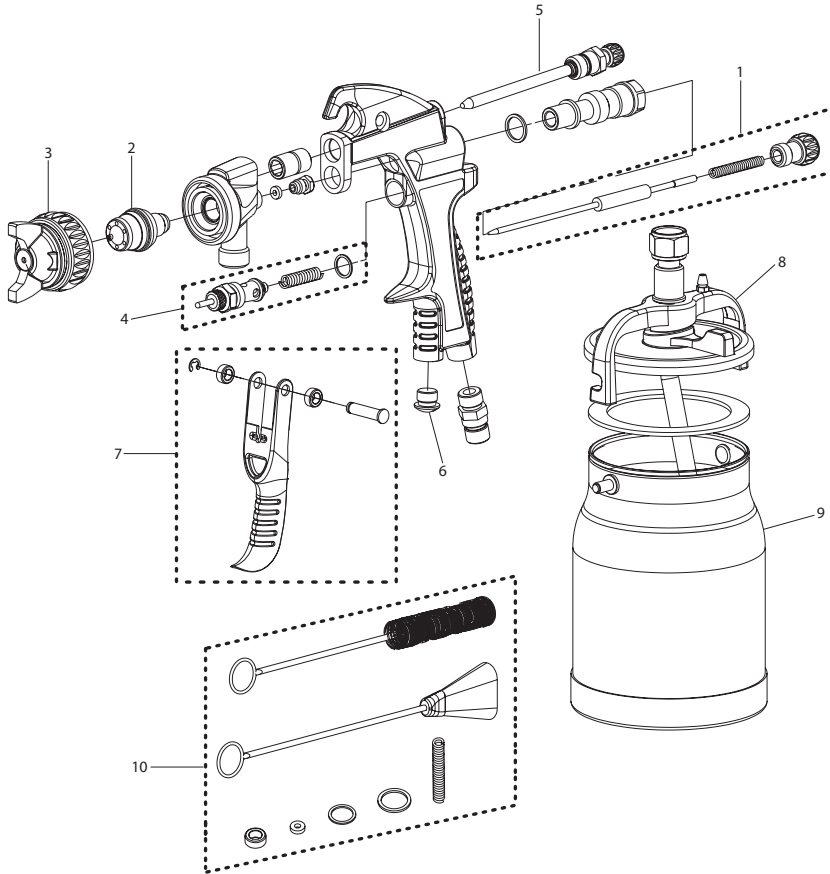


Model 210CSA Paint Sprayer Exploded Diagram



(Dwg. 45547874)

Model 210CSA Paint Sprayer Parts List

Item	Part Description	Part Number	Item	Part Description	Part Number
1	Fluid Needle Kit	210CSA-K20	6	Air Controller	210CSA-70
2	Fluid Nozzle	210CSA-30	7	Trigger Kit	210CSA-K80
3	Air Cap	210CSA-40	8	Cup Lid	210CSA-90
4	Valve Kit	210CSA-K50	9	Cup	210CSA-100
5	Pattern Controller	210CSA-60	10	Accessories Kit	210CSA-200

Parts and Maintenance

When the life of the tool has expired, it is recommended that the tool be disassembled, degreased and parts be separated by material so that they can be recycled.

Tool repair and maintenance should only be carried out by an authorized Service Center.

Refer all communications to the nearest **Ingersoll Rand** Office or Distributor.

Related Documentation

For additional information refer to:

Product Safety Information Manual 16576563.

Product Information Manual 47083068.

Maintenance Information Manual 16577645.

Manuals can be downloaded from ingersollrandproducts.com