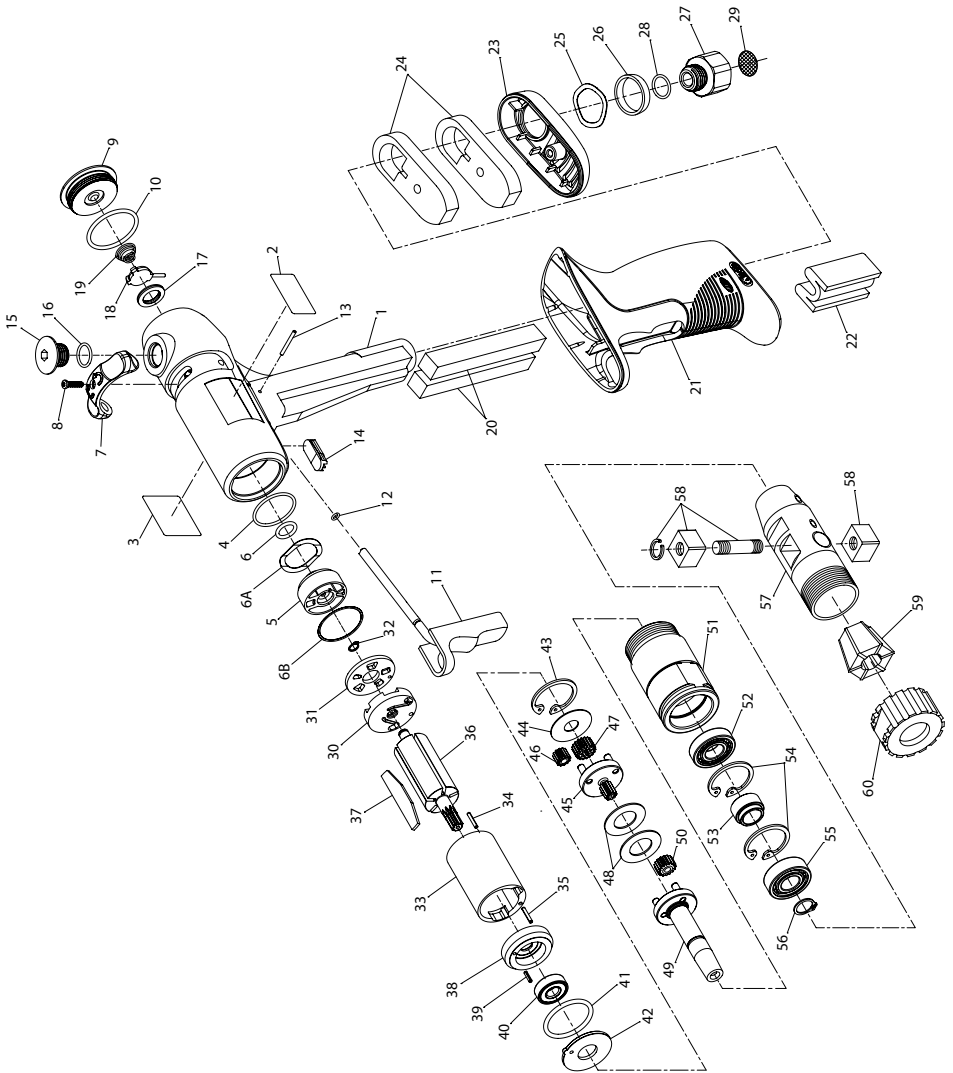


Air Drill QP15 Tapper Exploded Diagram



(Dwg. TPA1836-2)



Air Drill QP1S Tapper Parts List

| Item | Part Description | Part Number | Item | Part Description | Part Number | |
|------|--|------------------------|------------|--|---------------------------------|---------------|
| 1 | Motor Housing Assembly | TRP-A40-B | 36 | Rotor | TRD-53 | |
| 2 | Nameplate | TRH-301 | 37 | Vane Packet (set of 5 Vanes) | TRH-42-5 | |
| 3 | Warning Label | TRH-99 | 38 | Front End Plate Assembly | TRH-A11 | |
| 4 | Housing O-ring | TRH-104 | 39 | End Plate Alignment Pin | TRH-98-2 | |
| 5 | Reverse Valve Assembly | TRH-A3291 | 40 | Front Rotor Bearing | TRH-24 | |
| 6 | Reverse Valve Seal | R1A-159 | 41 | Motor Seal | TRH-211 | |
| 6A | Wave Washer | TRP-761-2 | 42 | Motor Clamp Washer | TRH-207 | |
| 6B | O-Ring | M002-159 | 43 | Gear Retainer | TRH-28 | |
| 7 | Reverse Lever | TRP-273 | 44 | Gear Head Spacer | TRH-81 | |
| 8 | Reverse Lever Screw | TRH-330 | 45 | Planet Gear Head Assembly (includes gear shafts) | | |
| 9 | Rear Housing Cap Assembly | TRP-A202 | | | for 500 rpm models | TRH-A2169-16 |
| 10 | Rear Housing Cap Seal | TRP-158 | | | for 1000 rpm models | TRH-A2169-12 |
| 11 | Trigger Assembly | TRP-A93 | 46 | Planet Gear (3 for each Gear Head) | | |
| 12 | Trigger Shaft O-ring | TRP-112 | | | for 500 rpm models | TRH-10-16 |
| 13 | Trigger Retaining Pin | 400-25-87-4 | | for 1000 rpm models | TRH-10-12 | |
| 14 | Memory Chip Holder Assembly (for models with memory chip only; includes memory chip) | TRP-A528 | 47 | Gear Head Pinion (for 1000 rpm models) | TRH-17-18 | |
| 15 | Inlet Plug Assembly (for models with top inlet only) | TRP-A565 | 48 | Planet Gear Head Spacer (2) | TRH-82 | |
| 16 | Inlet Plug Seal | TRP-103 | 49 | Spindle Assembly | TRD-A8-16T | |
| 17 | Throttle Valve Seat | TRP-303 | 50 | Spindle Planet Gear (3) | TRH-10-16 | |
| 18 | Throttle Valve | TRP-A302 | 51 | Gear Case | TRD-37 | |
| 19 | Throttle Valve Spring | TRP-51 | 52 | Rear Spindle Bearing | R00H-97 | |
| 20 | Housing Muffler Element (2) | TRP-311-2 | 53 | Spindle Bearing Spacer | TRD-111 | |
| 21 | Housing Grip | | 54 | Bearing Stop (2) | TRH-28 | |
| | | large size (standard) | TRP-40-2 | 55 | Front Spindle Bearing | TRH-510 |
| | | small size | TRP-40-1 | 56 | Bearing Retainer | 4E-6 |
| 22 | Grip Muffler Element | 3RA-310 | 57 | Tap Chuck | R000AR2TM-199 | |
| 23 | Grip End Cap | TRP-40-B | 58 | Chuck Back Jaw Assembly (includes one pair of jaws, adjusting screw, and lock ring) | 2U-102 | |
| 24 | End Cap Muffler Element (2) | TRP-311-1 | 59 | Collet (1/4" capacity) | 2U-103-1/4 | |
| 25 | Wave Washer | TRP-761 | 60 | Chuck Nut | 2U-104 | |
| 26 | Inlet Bushing Bezel | TRP-123 | * | Chuck Nut Wrench | 7RAQT4-254 | |
| 27 | Inlet Bushing Assembly | | * | Chuck Body Wrench | R000AR2TM-69 | |
| | | for 1/4-18 NPT thread | TRP-A465 | * | Chuck Back Jaw Wrench | R2J-562 |
| | | for 1/4-19 BSPT thread | TRP-A465-B | * | Tapping Chuck Removal Wedge (3) | R000AR2TM-200 |
| 28 | Inlet Bushing Seal | TRP-103 | * | Hanger Assembly | TRP-A365 | |
| 29 | Inlet Bushing Screen | TRH-61 | * | Tune-Up Kit (Includes the following items: 4, 6, 10, 12, 13, 16, 17, 18, 19, 20, 22, 24, 25 26, 29, 32, 37, 39, 40 and 41) | Q2-PPAST-TK1 | |
| 30 | Rear End Plate Assembly (includes rear rotor bearing) | TRH-A12-1 | | | | |
| 31 | Rear End Plate Face Plate | TRH-12-2 | | | | |
| 32 | Rear End Plate Assembly Retainer | 85L-305 | | | | |
| 33 | Cylinder Assembly | TRH-A3 | | | | |
| 34 | Cylinder Rear Alignment Pin | TRH-98 | | | | |
| 35 | Cylinder Front Alignment Pin | TRH-98-1 | | | | |

* Indicates Not illustrated

Parts and Maintenance

When the life of the tool has expired, it is recommended that the tool be disassembled, degreased and parts be separated by material for proper recycling.

Tool repair and maintenance should only be carried out by an authorized Service Center.

Refer all communications to the nearest **Ingersoll Rand** office or distributor.

Related Documentation

Manuals can be downloaded from ingersollrandproducts.com

For additional information refer to:

Air Drill Product Safety Information Manual 04580353.

Air Drill Product Information Manual 45587003.

Air Drill Maintenance Information Manual 45587011.



ingersollrandproducts.com
© 2015 Ingersoll Rand

04577482
Edition 6
May 2015