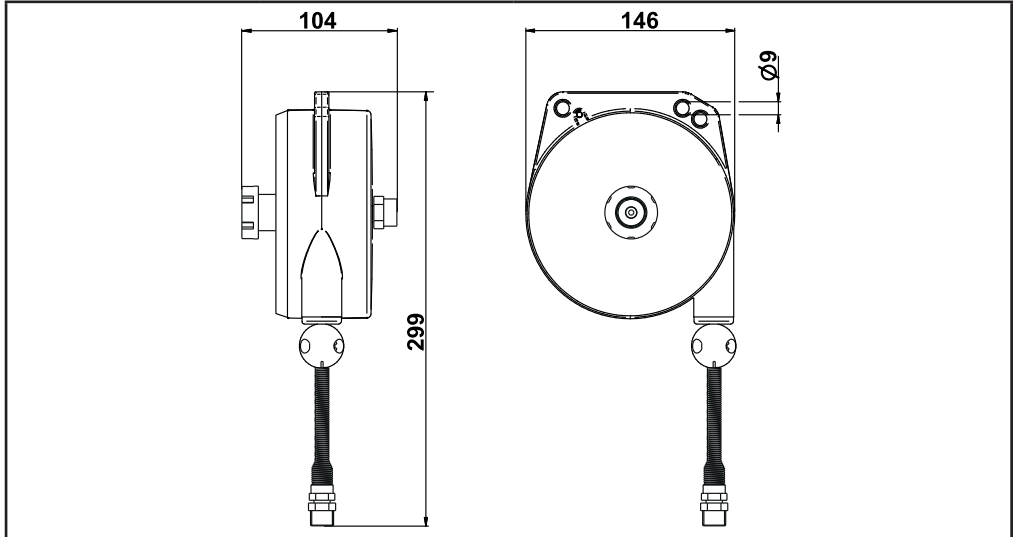


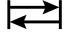


EN	BALANCER INSTRUCTIONS MANUAL	ES	MANUAL DE USO DEL EQUILBRADOR
FR	INSTRUCTIONS POUR L'UTILISATION DE L'ÉQUILIBREUR	IT	ISTRUZIONI PER L'USO DEL BILANCIATORE
DE	BETRIEBSANLEITUNG DES FEDERZUGS	NL	GEBRUIKSAANWIJZING VOOR DE BALANCER
NR	BALANSEBLOKKENS BRUKERVEILEDNING	SV	BRUKSANVISNING FÖR BALANSBLOK
DA	BRUGERVEJLEDNING TIL BALANCEBLOK	РУС	РУКОВОДСТВО ПО ЭКСПЛУАТАЦИИ БАЛАНСИР



ART. ITEM	 lb (kg)	 lb (kg)	 inch (mm)
BHR8	0,88÷1,76(0.4÷0.8)	2.76(1.25)	53,15 (1350)
BHR15	1,65÷3,31(0.75÷1.5)	2.87(1.30)	53,15 (1350)
BHR25	2,65÷5,51(1.2÷2.5)	3,00(1.35)	53,15 (1350)



<70 db (A)	T _{amb} = +5°C... +60°C
------------	----------------------------------

Conservare queste istruzioni per tutta la vita del bilanciatore.
 Save these instructions for all the balancer life.
 Conserver ces instructions pendant toute la vie de l'équilibreur.
 Conservar estas instrucciones durante toda la vida del equilibrador.
 Diese Bedienungsanleitung muss für die Lebensdauer des Federzuges aufbewahrt werden.
 Bewaar deze instructies gedurende de gehele levensduur van de balancer.
 Oppbevar denne bruksanvisning for hele bruksperioden.
 Spara denna bruksanvisning så länge balansblocket är i bruk.
 Denne vejledning skal opbevares i hele balanceblokkens funktionsdygtige levetid.
 Данное руководство следует хранить в течение всего срока службы балансира.

Utilizzare solo ricambi originali INGERSOLL-RAND.
 Only use INGERSOLL-RAND original spare parts.
 Utiliser uniquement des pièces détachées d'origine INGERSOLL-RAND.
 Utilice sólo repuestos originales INGERSOLL-RAND.
 Verwenden Sie nur Ersatzteile von INGERSOLL-RAND.
 Gebruik alleen originele reserveonderdelen INGERSOLL-RAND.
 Bruk kun originale reservedeler fra INGERSOLL-RAND.
 Använd endast originalreservdelar INGERSOLL-RAND.
 Benyt udelukkende originale reservedele fra INGERSOLL-RAND.
 Используйте только оригинальные запчасти, выпускаемые фирмой INGERSOLL-RAND.

Edition 01
TL-BHR-PLM



Install the balancer before using it. This operation is to be carried out by skilled personnel who must comply with the directions outlined in this manual:
A WRONG INSTALLATION COULD CAUSE INJURY/DAMAGE TO PEOPLE/PROPERTY.



This manual contains important information in order to use the balancer safely.
Be sure to have clearly understood all the instructions before using the balancer.
FAILURE TO DO SO COULD CAUSE INJURY.

The balancer was built in conformity with European Community Directives that were pertinent and applicable when the balancer was put on the market and that entail the CE marking of the product.

INTENDED USE

The intended use of a balancer is to eliminate the constant weight of a tool during a vertical movement.

The balancer is only intended to be used manually by one operator at a time.

The balancer is intended to be used indoors with temperatures between 5°C and 60°C.



Using the balancer at temperatures beyond this range could lead to premature deterioration of the balancer or some of its components.

For a better use of the balancer, it is recommended that the load is suspended at the centre of gravity.



It is necessary to use, inspect and maintain the balancer in perfect working efficiency in accordance with every regulation with regard to balancers, tools and workplaces.



Balancer capacity from minimum to maximum value expressed in kg;



Balancer rope length expressed in mm;



Balancer mass in kg.

INGERSOLL-RAND will not be deemed liable for using these balancers for any other application.

TECHNICAL SPECIFICATIONS

Internal diameter of the pipe:	Ø 6 mm (9200/9201/9202)	Ø 8 mm (9203)
Maximum pressure:	8 bar	8 bar
Maximum temperature:	50°C	50°C
Air inlet/outlet connections:	G1/4	G3/8

MISUSE

Do not permit children or people under age to use the balancer.

Do not work, transit or linger underneath the balancer.

Do not use in food or medical environments.

Do not use outdoors or in environments with corrosive chemicals.

Except for ATEX models, Balancers are not suitable for use in environments with potentially explosive atmospheres.

Do not use with loads beyond those shown on the data plate.

STATIC AND DYNAMIC TESTS

Static and Dynamic sample testing (Machine Directive 2006/42/EC, Annex I, section 4.1.3) are performed for each production lot.

The static tests are performed by connecting to the balancer a load 1.25 times higher than the maximum allowed capacity then by accompanying it to the stroke end (rope all out) for 10 minutes (as reported on DIN 15112:1979).

The dynamic test is performed by checking the proper operation of the balancer (rope extraction and rewinding) for 1-hour time with the balancer charged 1.1 times the maximum allowed load.

CHOOSING THE BALANCER

Assess the total load to be balanced: tool, accessories and sections of hoses or cables to be lifted by the balancer. The overall load to be balanced must fall within the balancer's minimum and maximum load-bearing capacity.

STARTING UP THE BALANCER

Assess the range of the work area and, if appropriate, hang the balancer to a roller guide to be able to use it properly in an area wide enough to carry out the required activities.

If screw-fixing devices are used to install the balancer, use self-locking nuts, split-pins or other safety systems.

In order to avoid anomalous wear, the load must be applied vertically. The balancer must in any case be free to move in its suspension so that it can line up with the direction of the load.

The balancer must be installed on a structure having an adequate mechanical resistance. Mechanical resistance of the structure $> 5 \times (\text{Balancer weight} + \text{Max load})$.

It is possible to install more than one balancer to the same main structure only if each balancer has an independent connection point and the structure has a mechanical resistance higher than five (5) times the weight of all balancers plus all maximum loads.

It is possible to install more than one balancer to the same secondary structure (i.e. safety rope) only if each balancer has an independent connection point and the structure has a mechanical resistance higher than five (5) times the weight of all balancers plus all maximum loads.

When starting up a balancer, we suggest that the following procedure is used:

- Connect the balancer to the main structure through the suspension hook, if present, or fixing hole.
- Connect the safety device to the secondary structure.
- Lift the load to be hanged to the balancer.
- Connect pipe (23) (Fig.2) to nipple (16) (Fig.2);
- Connect the compressed air supply to the nipple on pipe (23) (Fig.2);
- Connect the tool to nipple (21) (Fig.2-4).
- Lower the load by unwinding the balancer's pipe and adjust the stroke limiter clamp to avoid bringing the load above the operator.
- Adjust the balancer strength as long as the hanged load is balanced. Rotate in the direction of the + sign to increase the strength of the balancer. Rotate in the direction of the - sign to decrease the strength of the balancer.

Ensure that the working area is adequately lightened to allow a good overview of the operations and of all the equipment, avoiding dark areas, dazzling and strobe effects.



For all balancers that do not have a suspension hook, make sure that it is fixed to the main structure in such a way as not to block the movements (oscillations and rotations) which are functional to the correct operation of the balancer itself.



Use the hole (A) (Fig.1) for main suspension and hole (S) (Fig.1) for safety suspension. Always connect the safety suspension (S), with exclusive use of the supplied standard fittings (Fig.1), to a suitably sized support. The safety support MUST NOT BE the same one used for the main suspension (A) (Fig.1). If the main suspension breaks, the max falling distance must not be more than 100 mm. Let the parts of rope that are not under tension come out for at least 20 mm and tight the nuts of clamps 21215 (fig. 1) gradually together with a 2 Nm torque.

BALANCER ADJUSTMENT

To allow the balancer to balance heavier loads within the load capacity accepted, turn knob (4) as shown in (Fig.2) (anti-clockwise, indicated by the "+". symbol, adjustment is not continuous but in steps: after each step, the knob (4) must go back into contact with plate (5) (Fig.2). For lighter loads, extract the knob (4) and, gripping it tightly, turn it as shown in (Fig.3): after each step, the knob must go back into contact with plate (5) (Fig.3).

When the load has been adjusted, check that the entire length of the pipe can run freely: the movement must not be limited by the complete winding of the spring. Check the stroke several times at different speeds.

NOTE: a reduction of the ability of the balancer to hold the hanging load might mean that the drum spring is about to break. DO NOT MODIFY THE BALANCER ADJUSTMENT TO SUSTAIN THE LOAD ANYHOW, INSTEAD CALL IMMEDIATELY THE SPECIALIZED PERSONNEL AUTHORIZED TO MAINTENANCE.

Do not use by hanging a maximum load greater than the maximum load allowed and by balancing the same through the regulator.

USING THE BALANCER

Grip the tool hanging from the balancer and carry out the required operations. Then accompany the tool as far as it balances, on the vertical line of the balancer, and release it.

The load to be balanced must be hung on snap-hook (24) (Fig.4). Ensure that the snap-hook is closed correctly after having hung the load. The pipe must never be fully unwound: the work travel must end at least 100 mm before it reaches the lower limit of the run: If necessary, move and block the clamp (18) (Fig.4) to limit the upward run.



Do not unhook the load if the clamp (18) (Fig.4) does not lean onto the pipe's swaging (POSITION SHOWN IN FIGURE 4).

- Do not leave the load if it is not in a vertical position;
- Do not swing/throw the hanging load to another operator;
- Do not move the load by pulling the balancer's rope;
- Do not hang loads that are not within the upper and lower ranges of the admissible load-bearing capacity;
- Do not hang more than one tool on the balancer.

 **The highest risk linked to the use of the balancer consists in the uncontrolled rewinding of the pipe.**

- 1 If, for any reason, the pipe is not rewound by the balancer, DO NOT intervene and call immediately the maintenance service;
- 2 Never unhook the load if the pipe is not completely wound in the drum, prevent the pipe from touching the pipe-guide.
- 3 Should you find the balancer with the pipe completely unwound and no load attached, DO NOT intervene and call immediately the maintenance service;
- 4 During use, the pipe must be straight and must not be in contact with any pulley, ring or external structure close to the place where the balancer is installed and used;
- 5 The use of the balancer is allowed only with its pipe in a vertical position.
- 6 The adjustment of the balancer stroke must be done so to ensure the positioning of the tool at a height equal or lower to that of the operator, notwithstanding the place where the balancer is installed.
- 7 Do not twist (beyond 360°) the pipe during use, if the load must turn during operation then provide that the dedicated tool is used.
- 8 Should the balancer be provided with a locking device, use it when the tool hung to it is not used (end of work shift).



After the intervention of the devices that avoid the load fall or the uncontrolled rewinding of the rope, a revision of the balancer is necessary. To this end, contact your dealer.

When the balancer is used with an electrical tool, please refer to the user manual of the electrical tool for the management of eventual residual risks.

Do not use the balancer by holding it from the pipe; hold only the hanged tool.

CHANGING THE LOAD / CHANGING THE TOOL

Before proceeding with the tool change, it is necessary to rewind completely the balancer pipe without using the stroke adjustment device as a locking device.

Should the balancer be provided with locking devices, it is also possible to proceed as follows:

- Sustain the load in a different way (not through the balancer pipe).
- Unhook the load from the balancer
- Hook the new load; bring it to a vertical position below the balancer with the pipe stretched.
- Adjust the balancer, if needed, to balance the new load (when the new load has a different weight).



Do not move away from the balancer if a load is not hooked.

INSPECTION

The balancer must be visually inspected on a regular basis (e.g. once at each work shift). Specifically, check the state of the suspensions (A) and (S) (Fig.1a/b), the fixing screws and self-locking systems (if used), and the condition of the hooks and cable.



To check the cables, regarding rejection criteria (cable replacement), refer to ISO 4309:2011. (See Fig.5 for some examples).

- check that the pipe's movement is smooth and that it does not make any strange noises;
- do not lubricate the balancer with flammable or volatile fluids;
- do not remove any labels. Replace any damaged labels;
- the balancer must be inspected at least once a year by skilled, authorized personnel.

In case of unusual behaviour of the balancer, contact your dealer.

MAINTENANCE

Maintenance may be carried out only by skilled and authorized personnel.

Use original INGERSOLL-RAND spare parts only. When requesting spare parts, the Customer should kindly contact the supplier of the balancer or the manufacturer directly, specifying the equipment's identification data printed on the plate.

Do not make any modification to the pipe group and, specifically, DO NOT SHORTEN the pipe: if needed, please get in touch with the supplier or the manufacturer directly.



Never disassemble the balancer. Maintenance is to be carried out only by skilled, authorized personnel.

WARRANTY

The use of non-original INGERSOLL-RAND spare parts will negatively affect safety and performance and, in any case, it will void the warranty.



The pipe and the drum-spring are not covered by warranty.

DISPOSAL

At the end of the work life of the balancer, proceed as follows:

- Rewind the pipe completely
- Unhook the load from the balancer
- Unhook the balancer from the primary and safety connections.
- Proceed to fully discharge the balancer spring.

Once the balancer has been discharged, it must be disposed of complying with the rules and regulations in force.



El equilibrador debe ser instalado antes del uso. Esta operación debe ser realizada por personas expertas, en observancia de las instrucciones contenidas en este manual:
UNA INSTALACIÓN INCORRECTA PUEDE CAUSAR DAÑOS A PERSONAS Y/U OBJETOS.



Este manual contiene importante información para utilizar el aparato en condiciones de seguridad. Cerciérese de haber comprendido bien todas las instrucciones antes de utilizar el equilibrador.
LA NOBSEVANCIA DE ESTAS ADVERTENCIAS PUEDE CAUSAR LESIONES.

El equilibrador ha sido realizado en conformidad con las Directivas Comunitarias pertinentes y aplicables en el momento de su lanzamiento en el mercado, que prevén la marca CE del producto.

Uso PREVISTO

El uso previsto de un equilibrador es anular el peso constante de una herramienta durante un movimiento vertical.

El equilibrador se diseñó para ser utilizado sólo manualmente por un operador a la vez.

El equilibrador es para uso en ambiente cerrado, con temperaturas entre 5 ° C y 60 ° C.



El uso del equilibrador a temperaturas fuera de este intervalo podría provocar un deterioro prematuro del equilibrador o de algunos de sus componentes.

Para un mejor uso del equilibrador se recomienda de suspender la carga cerca de su centro de gravedad.



Es necesario utilizar, controlar y conservar el equilibrador en perfectas condiciones, en conformidad con todas las normas relativas a los equilibradores, utensilios y puestos de trabajo.



Capacidad del equilibrador de valor mínimo a valor máximo expreso en kg;



Longitud del cable del equilibrador expreso en mm;



Cuerpo del equilibrador en kg.

INGERSOLL-RAND no es responsable ante aquellos clientes que utilizan estos equilibradores para otras aplicaciones.

ESPECIFICACIONES TÉCNICAS

Diámetro interior del tubo:	Ø 6 mm (9200/9201/9202)	Ø 8 mm (9203)
Presión máxima:	8 bar	8 bar
Temperatura máxima:	50°C	50°C
Conexiones entrada/salida aire:	G1/4	G3/8

Uso IMPROPIO

No permita que el equilibrador sea utilizado por menores.

No trabaje, transite ni permanezca debajo del equilibrador.

No apto para uso en industria alimentaria y farmacéutica.

No apto para uso al aire libre o en presencia de productos químicos corrosivos.

Excluyendo los modelos ATEX, los equilibradores no son aptos para uso en ambientes con atmósfera potencialmente explosiva.

No utilizar con tipos de cargas no indicadas en la placa.

ENSAYOS ESTÁTICOS Y DINÁMICOS

Los ensayos estáticos y dinámicos (Directiva Máquinas 2006/42/EC, anex. I, punto 4.1.3) se realizan tomando muestras aleatorias de cada lote de producción.

Los ensayos estáticos se realizan colgando del equilibrador una carga de 1.25 veces superior a su capacidad máxima, acompañandola hasta el final de la carrera (cable completamente afuera) durante 10 minutos (como se informa en la norma DIN 15112: 1979).

El ensayo dinámico se realiza verificando el correcto funcionamiento del equilibrador (desenrollado y enrollado el cable) durante 1 hora de tiempo con una carga colgada del equilibrador de 1.1 veces superior a su capacidad máxima.

ELECCIÓN DEL EQUILIBRADOR

Evalúe la carga total a equilibrar: utensilio, accesorios y partes de los tubos o cables sujetos por el equilibrador. La carga total a equilibrar debe estar comprendida entre la capacidad mínima y máxima del equilibrador.

PUESTA EN FUNCIONAMIENTO DEL EQUILBRADOR

Evalúe la extensión del área de trabajo y, si se precisa, cuelgue el equilibrador de un carro para permitir el correcto uso en una zona de amplitud adecuada a la actividad a realizar.

Si para la instalación se utilizan dispositivos de fijación de rosca, es necesario usar tuercas autoblocantes, chavetas u otros sistemas de seguridad.

Para evitar desgastes anómalos, la carga se debe aplicar verticalmente. El equilibrador tendrá que poder moverse libremente en su suspensión para que pueda alinearse con la dirección de la carga.

El equilibrador tiene que ser instalado en una estructura con resistencia mecánica adecuada. Resistencia mecánica estructura $> 5 * (\text{Peso del Equilibrador} + \text{Capacidad MÁX})$.

Puede instalar varios equilibradores en la misma estructura principal, excepto cuando cada uno tenga un enganche separado y cuando la estructura tenga una resistencia

mecánica superior a cinco veces el peso de todos los equilibradores y de sus capacidades de carga máximas.

Es posible instalar varios equilibradores en la misma estructura secundaria (cable de seguridad), a excepción que cada uno tenga un enganche separado y que la estructura tenga

una resistencia mecánica superior a cinco veces el peso de todos los equilibradores y de sus capacidades de carga máximas.

Durante la puesta en funcionamiento se sugiere usar el siguiente procedimiento:

- Instalar el equilibrador en la estructura principal usando el gancho de suspensión, si presente, o el agujero de fijación.
- Conectar el dispositivo de seguridad en la estructura secundaria.
- Levantar la carga que se desea enganchar del equilibrador.
- Conecte el tubo (23) (Fig.2) al niple (16) (Fig.2);
- Conecte la alimentación de aire comprimido al niple del tubo (23) (Fig.2);
- Conecte el utensilio al niple (21) (Fig.2-4).
- Bajar la carga desenrollando el tubo del equilibrador y ajustar la abrazadera que limita la carrera para evitar que la carga exceda la altura del operador.
- Ajustar la fuerza del equilibrador hasta equilibrar la carga enganchada. Girar en la dirección indicada por el signo + para aumentar la fuerza del equilibrador. Girar en la dirección indicada por el signo - para disminuir la fuerza del equilibrador.

Asegurar una iluminación correcta de las áreas de trabajo para permitir una buena vista de las operaciones y todos los elementos del equipo, evitando sombras, reflejos y efectos

estroboscópicos.



Para los equilibradores no equipados con gancho de suspensión, es conveniente prever un enganche que no bloquee los movimientos (oscilación y rotación) necesarios para el correcto funcionamiento del equilibrador.



Utilice el orificio (A) (Fig.1) para la suspensión principal y el orificio (S) (Fig.1) para la suspensión de seguridad. Fije siempre la suspensión de seguridad (S) a un soporte adecuadamente dimensionado, utilizando exclusivamente los accesorios suministrados (Fig.1). El soporte de seguridad NO DEBE SER el mismo utilizado para la suspensión principal (A) (Fig.1). La máxima caída en caso de rotura de la suspensión principal no debe superar los 100 mm. Deje que las partes de cable que no estén bajo tensión sobresalgan al menos 20 mm y apriete gradualmente las tuercas de los terminales 21215 (Fig. 1) simultáneamente con un par de 2 Nm.

REGULACIÓN DEL EQUILBRADOR

Para equilibrar cargas mayores dentro de la capacidad de carga permitida, gire el pomo (4) (Fig.2) (en sentido levógiro, identificado por el símbolo "+"); la regulación no es continua, sino a saltos: después de cada salto el pomo (4) debe volver a ponerse en contacto con la placa (5) (Fig.2). Para equilibrar cargas más ligeras extraiga el pomo (4) y, manteniéndolo bien apretado, gírelo tal como se ilustra en la (Fig.3); después de cada salto el pomo debe volver a ponerse en contacto con la placa (5) (Fig.3).

Después de regular la carga, verifique que el tubo pueda deslizarse libremente en toda su longitud: el movimiento no debe estar limitado por el completo enrollamiento del muelle. Verifique varias veces el recorrido a diferentes velocidades.

NOTA: Una reducción de la capacidad del equilibrador de soportar la carga suspendida puede significar que el muelle del tambor se está rompiendo. **NO MODIFIQUE LA REGULACIÓN DEL EQUILBRADOR PARA SOPORTAR IGUALMENTE LA CARGA. DIRÍJASE INMEDIATAMENTE A PERSONAL CAPACITADO Y AUTORIZADO AL MANTENIMIENTO.**

No utilice con una carga superior a la carga máxima permitida y equilibrada usando el regulador.

USO DEL EQUILBRADOR

Empuñe el utensilio colgado del equilibrador y realice las operaciones requeridas; luego, acompañe el utensilio hasta una posición de equilibrio, en la vertical del equilibrador, y suéltelo.

La carga a equilibrar se debe colgar del mosquetón (24) (Fig.4). Verifique que, después de la aplicación de la carga, el mosquetón quede bien cerrado.

El desenrollamiento del tubo jamás deberá ser completo: la carrera de trabajo debe terminar al menos 100 mm antes del límite inferior del recorrido.

Si es necesario, desplace y fije la abrazadera (18) (Fig.4) para limitar el recorrido hacia arriba.



No desenganche la carga si la abrazadera (18) (Fig.4) no está apoyada a la grapa del tubo (POSICIÓN VISIBLE EN FIG.4)

- no suelte la carga en posición no vertical;
- no lance la carga suspendida a otro operador;
- no desplace la carga tirando el cable del equilibrador;
- no cuelgue las cargas que no están comprendidas entre los límites superior e inferior de la capacidad admitida;
- no cuelgue más de un utensilio del equilibrador.



El riesgo mayor vinculado al uso del equilibrador consiste en el posible enrollamiento incontrolado del tubo.

1 si por cualquier razón el tubo no es enrollado por el equilibrador, NO intervenga y contacte inmediatamente con el servicio de asistencia.

2 no desenganche la carga si el tubo no está completamente enrollado en el tambor. evitar el contacto con el tubo passatubo;

3 si el tubo está desenrollado y no hay ninguna carga aplicada, NO intervenga y contacte inmediatamente con el servicio de asistencia.

4 durante el uso, el tubo debe permanecer siempre en posición vertical y no debe estar en contacto con poleas o posibles estructuras externas colocadas en la proximidad del punto de instalación y uso del equilibrador.

5 está permitido el utilizo del equilibrador solamente con el tubo en posición vertical.

6 el ajuste de la carrera del equilibrador debe asegurar la posición de la herramienta a una altura igual o menor a la del operador, independientemente del punto de fijación de la máquina.

7 no tuerza (más de 360°) el tubo durante el uso, si la carga debe girar respecto al equilibrador preveer el uso del accesorio apropiado.

8 si el equilibrador tiene el sistema de bloqueo utilizarlo en caso de no utilización de la herramienta aplicada (fin de turno de trabajo).



Después de la intervención de los dispositivos que impiden la caída de la carga o el enrollamiento incontrolado del cable se requerirá la revisión del equilibrador. En este sentido, por favor contacte con su proveedor. Si utiliza el equilibrador con una herramienta eléctrica consulte el manual de esta para la gestión de cualquier riesgo residual. No utilice el equilibrador sujetándolo por el tubo; sujételo usando la herramienta colgada.

REEMPLAZO DE LA CARGA / CAMBIO DE HERRAMIENTAS

Antes de proceder al cambio de la herramienta colgada es necesario enrollar completamente el tubo del equilibrador sin utilizar el dispositivo de ajuste de carrera como sistema de bloqueo.

Al contrario, si presenta sistemas de bloqueo se puede proceder de la siguiente manera:

- Sujetar la carga de manera alternativa (no usar el tubo del equilibrador).
- Desenganchar la carga del equilibrador.
- Enganchar la nueva carga, colocarla verticalmente bajo el equilibrador con el tubo en tensión.
- Ajustar el equilibrador, si es necesario, para equilibrar la nueva carga (nueva carga con peso diferente de la anterior).



No se aleje por ningún motivo del equilibrador si no presenta una carga colgada.

INSPECCIÓN

El equilibrador debe ser sometido periódicamente a inspección visual (por ejemplo, una vez por turno de trabajo), en particular, para verificar el estado de las suspensiones (A) y (S) (Fig.1), de los tornillos de fijación y de los sistemas autobloqueantes (si están presentes), así como las condiciones de los ganchos y del cable.



Para el control de los cables siguiendo los criterios de deshecho (sustitución del cable), tomar como referencia las prescripciones de la norma ISO 4309:2011. (Algunos ejemplos veanse en Fig.5).

- Verifique que el movimiento del tubo sea suave y sin ruidos anómalos;
- No lubrique el equilibrador con líquidos inflamables o volátiles;
- No quite ninguna etiqueta. Haga sustituir las placas eventualmente deterioradas;
- Al menos una vez por año el equilibrador debe ser inspeccionado por personal especializado y autorizado.

En caso de un comportamiento anormal del equilibrador contacte con su proveedor.

MANTENIMIENTO

El mantenimiento puede ser efectuado solo por personal capacitado y autorizado.

Utilice solo repuestos de INGERSOLL-RAND. Se ruega el Cliente cuando solicita repuestos dirigirse al proveedor del aparato o directamente al fabricante, indicando los detalles identificativos de la máquina marcados en su placa.

No realice ninguna modificación en el tubo; en particular, NO ACORTE el tubo: si es necesario, contacte con su proveedor del aparato o directamente con el fabricante.



Jamás desmonte el equilibrador. El mantenimiento debe ser realizado exclusivamente por personal capacitado y autorizado.

GARANTÍA

El uso de repuestos no originales INGERSOLL-RAND influye negativamente en la seguridad y las prestaciones, además de provocar la caducidad de la garantía.



El tubo y el muelle del tambor no están sujetos a garantía.

FIN DE VIDA

Al final de la vida operativa del equilibrador haga lo siguiente:

- Enrollar completamente el tubo
 - Descolgar la carga del equilibrador
 - Descolgar el equilibrador de la suspensión primaria y de seguridad.
 - Descargar completamente el muelle del equilibrador.
- Descargado el equilibrador es posible deshechar el mismo en observancia de la normativa vigente.



L'équilibreur doit être installé avant d'être utilisé. Cette opération doit être effectuée par des personnes qualifiées, en respectant les instructions contenues dans ce manuel:

UNE MAUVAISE INSTALLATION PEUT CAUSER DES DOMMAGES AUX PERSONNES ET/OU AUX CHOSES.



Ce manuel contient des informations importantes permettant d'utiliser l'appareil en sécurité. S'assurer d'avoir compris toutes les instructions avant d'utiliser l'équilibreur.

LE NON-RESPECT DE CES AVERTISSEMENTS PEUT CAUSER DES BLESSURES.

L'équilibreur a été réalisé conformément aux Directives Communautaires pertinentes et applicables au moment où il a été mis sur le marché, prévoyant le marquage CE du produit.

USAGE PREVU

L'utilisation prévue pour un équilibreur est celle d'annuler le poids constant d'un outil lors d'un mouvement vertical.

L'équilibreur est destiné uniquement à être utilisé manuellement par un seul opérateur à la fois.

L'équilibreur est destiné à être utilisé dans un environnement fermé à des températures comprises entre 5°C et 60°C.



L'utilisation de l'équilibreur à des températures hors de cette plage peut entraîner une détérioration prématurée de l'équilibreur ou de certains de ses composants.

On recommande une suspension barycentrique de la charge pour une meilleure utilisation de l'équilibreur.



Il est nécessaire d'utiliser, de contrôler et de conserver en parfait état de fonctionnement l'équilibreur, conformément à toute norme relative aux équilibreurs, aux outils et aux postes de travail.



Capacité de l'équilibreur de la valeur minimum à la valeur maximum en kg;



Longueur du câble de l'équilibreur en mm;



Masse de l'équilibreur en kg.

La société INGERSOLL-RAND n'est pas responsable envers les clients qui utilisent ces équilibreurs pour d'autres applications.

SPÉCIFICATIONS TECHNIQUES

Diamètre intérieur du tube:	Ø 6 mm (9200/9201/9202)	Ø 8 mm (9203)
Pression maximale:	8 bar	8 bar
Température maximale:	50°C	50°C
Raccords entrée/sortie d'air:	G1/4	G3/8

USAGE IMPROPRE

Ne pas permettre l'utilisation de l'équilibreur par des mineurs.

Ne pas travailler, passer ou stationner sous l'équilibreur et sa charge.

Ne s'adapte pas à une utilisation dans des environnements de produits alimentaires ou pharmaceutiques.

Ne s'adapte pas à une utilisation en extérieur ou en présence de produits chimiques corrosifs.

En excluant les modèles ATEX les équilibreurs ne sont pas adaptés pour une utilisation dans des milieux présentant une atmosphère potentiellement explosive.

N'utiliser pas avec des charges supérieures à celles indiquées sur la plaque signalétique.

TESTS STATIQUES ET DINAMIQUES

Les tests statiques et dynamiques (Directive Machines 2006/42/EC, annexe I, point 4.1.3) ont été effectués sur des échantillons aléatoires prélevés de chaque lot de fabrication.

Les tests statiques sont effectués en appliquant à l'équilibreur une charge de 1.25 fois plus élevée que la charge maximale et faite accompagner jusqu'à la fin de la course (câble complètement déroulé) pendant 10 minutes (comme indiqué sur la norme DIN 15112:1979).

Les tests dynamiques sont effectués en vérifiant le bon fonctionnement de l'équilibreur (déroulement et enroulement du câble) pendant 1 heure de temps avec l'équilibreur chargé 1.1 fois par rapport à la charge maximale.

CHOIX DE L'ÉQUILIBREUR

Évaluer la charge globale à équilibrer: outil, accessoires et parties des tuyaux ou des câbles soutenus par l'équilibreur. La charge globale à équilibrer doit être comprise entre la capacité minimale et la capacité maximale de l'équilibreur.

MISE EN SERVICE DE L'ÉQUILIBREUR

Évaluer l'étendue de la zone de travail et, s'il y a lieu, suspendre l'équilibreur à un chariot afin de pouvoir l'utiliser correctement dans une zone dont l'étendue est adaptée à l'action à accomplir.

Si l'on utilise des dispositifs de fixation à vis pour l'installation, il est nécessaire d'utiliser des écrous autobloquants, des goupilles ou d'autres systèmes de sécurité.

Pour éviter toute usure anormale, la charge doit être appliquée verticalement. L'équilibreur doit être libre de se déplacer dans sa suspension pour s'aligner à la direction de la charge.

L'équilibreur doit être installé sur une structure à résistance mécanique appropriée. Résistance mécanique de la structure $> 5 \cdot$ (Poids Equilibreur + charge MAX.).

Il est possible d'installer plusieurs équilibreurs à la même structure principale, sauf que chacun a une attaque séparée et que la structure possède une résistance mécanique supérieure à 5 fois le poids de tous les équilibreurs et de leurs charges maximales.

Il est possible d'installer plusieurs équilibreurs à la même structure secondaire (câble de sécurité), sauf que chacun a une attaque séparée et que la structure possède une résistance mécanique supérieure à 5 fois le poids de tous les équilibreurs et de leurs charges maximales.

Pendant la mise en service, il est suggéré de suivre la procédure suivante:

- Installer l'équilibreur sur la structure principale en utilisant le crochet de suspension si présente ou le trou de fixation.
 - Relier le dispositif de sécurité à la structure secondaire.
 - Soulever la charge à attacher à l'équilibreur.
 - Connecter le tube (23) (Fig.2) au nipple (16) (Fig.2);
 - Connecter l'alimentation d'air comprimé au nipple du tube (23) (Fig.2);
 - Connecter l'outil au nipple (21) (Fig.2-4).
 - Abaisser la charge en déroulant le tube de l'équilibreur et régler le serre-câble limiteur de course pour ne pas permettre à la charge de dépasser la hauteur de l'opérateur.
 - Régler la force de l'équilibreur pour équilibrer la charge appliquée. Tourner dans le sens indiqué par le signe + pour augmenter la force de l'équilibreur. Tourner dans le sens indiqué par le signe - pour diminuer la force de l'équilibreur.
- Assurer un éclairage suffisant des zones de travail pour permettre une bonne visibilité sur les opérations et sur tous les éléments de l'équipement, en évitant des ombres, des reflets et des effets stroboscopiques.



Pour les équilibreurs pas équipés de crochet de suspension, il convient de prédisposer une attache qui ne bloque pas les mouvements (oscillation et rotation) requis pour le bon fonctionnement de l'équilibreur.



Utiliser le trou (A) (Fig.1) pour la suspension principale et le trou (S) (Fig.1) pour la suspension de sécurité. Relier toujours la suspension de sécurité (S) en utilisant uniquement les accessoires fournis avec l'équilibreur (Fig.1), à un support bien dimensionné. Le support de sécurité NE DOIT PAS ETRE le même que celui utilisé pour la suspension principale (A) (Fig.1). La chute maximale en cas de rupture de la suspension principale ne doit pas être de plus de 100 mm. Faire dépasser les sections mortes du câble d'au moins 20 mm et serrer les écrous des bornes 21215 (Fig. 1) progressivement en mêmes temps avec un couple de 2 Nm.

REGLAGE DE L'ÉQUILIBREUR

Pour permettre à l'équilibreur d'équilibrer des charges plus grandes, dans la capacité de charge admise, tourner le bouton (4) comme indiqué sur la (Fig.2) (dans le sens inverse des aiguilles d'une montre, identifié par le signe +; le réglage n'est pas continu, mais à dé clic): après chaque dé clic, le bouton (4) doit revenir en contact avec la plaque (5) (Fig.2). Pour des charges plus légères, extraire le bouton (4) et, en le tenant fermement, le tourner comme indiqué sur la (Fig.3): après chaque dé clic, le bouton doit revenir en contact avec la plaque (5) (Fig.3).

Après le réglage de la charge, vérifier que le tube peut glisser librement sur toute sa longueur: le mouvement ne doit pas être limité par l'enroulement total du ressort. Vérifier plusieurs fois la course à différentes vitesses.

NOTE: une réduction de la capacité de l'équilibreur à supporter la charge suspendue peut signifier que le ressort du tambour est en train de se casser. **NE PAS MODIFIER LE RÉGLAGE DE L'ÉQUILIBREUR POUR SUPPORTER QUAND MÊME LA CHARGE, MAIS CONSULTER IMMÉDIATEMENT LE PERSONNEL SPÉCIALISÉ AUTORISÉ À L'ENTRETIEN.**

Ne pas utiliser avec une charge maximale appliquée supérieure à la charge maximale permise et équilibrée grâce à l'utilisation du régulateur.

UTILISATION DE L'ÉQUILIBREUR

Empoigner l'outil suspendu à l'équilibreur et effectuer les opérations nécessaires; puis accompagner l'outil dans une position d'équilibre, sur la verticale de l'équilibreur, et le relâcher.

Le déroulement du tube ne doit jamais être total: la course de travail doit se terminer au moins 100 mm avant la limite inférieure de la course.

Si nécessaire, déplacer et bloquer le serrage (18) (Fig.4) pour limiter la course vers le haut.

Si nécessaire, déplacer et bloquer le serrage (18) (Fig.4) pour limiter la course vers le haut.



Ne pas décrocher la charge si la borne (20) (Fig.4) n'est pas appuyée à l'agrafe du tube (POSITION VISIBLE A LA FIGURE 4).

- Ne pas abandonner la charge en position non verticale;
- Ne pas lancer la charge suspendue à un autre opérateur;
- Ne pas déplacer la charge en tirant le câble de l'équilibreur;
- Ne pas suspendre des charges non comprises entre les limites supérieure et inférieure de la capacité admise;
- Ne pas suspendre plus d'un outil à l'équilibreur.



Le risque le plus grand lié à l'utilisation de l'équilibreur consiste en l'éventuel ré-enroulement incontrôlé du tube;

- 1 Si, pour quelque raison que ce soit, le tube n'est pas ré enroulé par l'équilibreur, NE PAS intervenir et contacter immédiatement le service d'assistance;
- 2 Ne jamais décrocher la charge si le tube n'est pas complètement enroulé sur le tambour, éviter le contact du tube avec le passe-tube;
- 3 Si l'on trouve l'équilibreur avec le tube déroulé et aucune charge appliquée, NE PAS intervenir et contacter immédiatement le service d'assistance.
- 4 Pendant l'utilisation, le tube doit être vertical et ne doit pas être en contact avec des poulies ou des structures externes ou situées dans la proximité du point de l'installation et d'utilisation de l'équilibreur.
- 5 L'utilisation de l'équilibreur est autorisée uniquement avec le tube en vertical.
- 6 Le réglage de la course de l'équilibreur doit assurer la position de l'outil à une hauteur inférieure ou égale à l'opérateur, quel que ce soit le point d'accrochage de la machine.
- 7 Ne pas tourner (au-delà de 360°) le tube pendant l'utilisation, si la charge doit tourner par rapport à l'équilibreur il faut prévoir l'utilisation de l'accessoire approprié.
- 8 Si l'équilibreur présente un système de blocage il faut l'activer en cas de non-utilisation de l'outil accroché (fin de la période de travail).



**Après l'intervention des dispositifs qui empêchent à la charge de tomber ou le ré-enroulement incontrôlé du câble il est nécessaire une révision de l'équilibreur. À cet égard, veuillez contacter votre revendeur.
Lorsque l'équilibreur est utilisé avec un outil électrique, il faut faire référence à sa notice d'utilisation pour la gestion de tous les risques résiduels.
Ne pas utiliser l'équilibreur en le prenant par le tube. Au contraire, il faut saisir le bien l'outil relié.**

REPLACEMENT DE LA CHARGE / CHANGEMENT D'OUTIL

Avant de décrocher l'outil, il est nécessaire d'enrouler complètement le tube de l'équilibreur sans utiliser le dispositif de réglage de la course en tant que système de blocage.

S'il y a des systèmes de blocage, il est aussi possible de procéder de la manière suivante:

- Supporter la charge d'une manière différente (pas avec le tube de l'équilibreur).
- Décrocher la charge de l'équilibreur.
- Accrocher la nouvelle charge, la positionner verticalement au-dessous de l'équilibreur avec le tube en tension.
- Régler l'équilibreur, si nécessaire, pour équilibrer la nouvelle charge (nouvelle charge avec un poids différent de la précédente).



Ne jamais s'éloigner de l'équilibreur s'il n'y a pas une charge accroché au même.

INSPECTION

L'équilibreur doit être soumis régulièrement à une inspection visuelle (par exemple une fois pour chaque période de travail), notamment pour vérifier l'état des suspensions (A) et (S) (Fig. 1a/b), des vis de fixation et des systèmes autobloquants (s'ils sont utilisés), ainsi que l'état des crochets et du câble.



Pour la vérification des câbles, en ce qui concerne les critères d'élimination (remplacement du câble), faire référence aux prescriptions de la norme ISO 4309:2011. (Quelques exemples, voir figure 5).

- Vérifier que le mouvement du tube est doux et qu'il n'y a pas de bruits anormaux;
- Ne pas lubrifier l'équilibreur avec des liquides inflammables ou volatiles;
- N'enlever aucune étiquette. Faire remplacer toute étiquette endommagée;
- Au moins une fois par an, l'équilibreur doit être contrôlé par du personnel spécialisé et autorisé.

En cas de comportement anormal de l'équilibreur, veuillez contacter votre revendeur.

ENTRETIEN

L'entretien peut être effectué uniquement par du personnel spécialisé et autorisé.

Utiliser uniquement des pièces détachées d'origine INGERSOLL-RAND. Pour la commande des pièces détachées, le client est prié de s'adresser au fournisseur de l'appareil ou directement au constructeur, en indiquant les éléments d'identification de la machine figurant sur la plaque signalétique.

N'effectuer aucune modification à l'ensemble tube, en particulier NE PAS RACCOURCIR le tube: en cas de besoin, contacter le fournisseur ou directement le constructeur.



Ne jamais désassembler l'équilibreur. L'entretien doit être effectué uniquement par du personnel spécialisé et autorisé.

GARANTIE

L'utilisation de pièces détachées non d'origine INGERSOLL-RAND nuit à la sécurité, aux performances et, en tout cas, entraîne l'annulation de la garantie.



Le tube et le ressort du tambour ne sont pas couverts par la garantie.


FIN DE VIE


A la fin de la vie opérationnelle de l'équilibreur, il faut suivre les étapes suivantes:

- Enrouler le tube complètement.
- Décrocher la charge de l'équilibreur.
- Décrocher l'équilibreur de la suspension primaire et de sécurité.
- Décharger complètement le ressort de l'équilibreur.

Après avoir déchargé l'équilibreur, il est possible de procéder à la démolition conformément aux normes en vigueur.

IT

	Il bilanciatore deve essere installato prima di essere utilizzato. Tale operazione deve essere eseguita nel rispetto delle istruzioni contenute in questo manuale da parte di persone esperte: UN'INSTALLAZIONE NON CORRETTA PUÒ CAUSARE DANNI ALLE PERSONE E/O ALLE COSE.
--	---

	Questo manuale contiene importanti informazioni che consentono di utilizzare l'apparecchio in condizioni di sicurezza. Assicurarsi di aver compreso bene tutte le istruzioni prima di utilizzare il bilanciatore. IL MANCATO RISPETTO DI QUESTE AVVERTENZE PUÒ ARRECARRE LESIONI.
---	--


Il bilanciatore è stato realizzato in conformità alle Direttive Comunitarie pertinenti ed applicabili nel momento della sua immissione sul mercato, che prevedono la marcatura CE del prodotto.

USO PREVISTO

L'uso previsto di un bilanciatore è quello di annullare il peso costante di un utensile durante una movimentazione verticale.


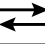

Il bilanciatore è destinato esclusivamente ad essere utilizzato manualmente da un solo operatore alla volta.

Il bilanciatore è destinato ad utilizzo in ambiente chiuso con temperature tra 5°C e 60°C.

	L'impiego del bilanciatore a temperature al di fuori di questo intervallo potrebbe portare ad un deterioramento precoce del bilanciatore o di alcuni suoi componenti.
---	--

Per un migliore utilizzo del bilanciatore è consigliabile la sospensione baricentrica del carico.

	E' necessario utilizzare, controllare e conservare in perfetta efficienza il bilanciatore, in accordo con ogni norma relativa ai bilanciatori, utensili e posti di lavoro.
---	---

	Portata del bilanciatore da valore minimo a valore massimo espressa in kg;
	Lunghezza della fune del bilanciatore espressa in mm;
	Massa del bilanciatore in kg.

La INGERSOLL-RAND non è responsabile per utilizzi diversi da quelli sopra riportati.

SPECIFICHE TECNICHE

Diametro interno del tubo:	Ø 6 mm (9200/9201/9202)	Ø 8 mm (9203)
Pressione massima nel tubo:	8 bar	8 bar
Temperatura massima dell'aria nel tubo:	50°C	50°C
Attacchi ingresso/uscita aria:	G1/4	G3/8

USO IMPROPRIO

Non permettere l'utilizzo del bilanciatore da parte di minori.

Non operare, transitare o sostare sotto al bilanciatore e al suo carico.

Non idoneo per utilizzi in ambienti alimentari o medicali.

Non idoneo per utilizzo all'aperto o in ambienti con presenza di agenti chimici corrosivi.

Ad esclusione dei modelli ATEX i Bilanciatori non sono idonei per utilizzo in ambienti con atmosfera potenzialmente esplosiva.

Non utilizzare con carichi al di fuori di quelli riportati sulla targa.

PROVE STATICHE E DINAMICHE

Prove statiche e dinamiche (direttiva macchine 2006/42/EC, allegato I, punto 4.1.3) vengono eseguite a campioni per ogni lotto di produzione.

Le prove statiche sono eseguite collegando al bilanciatore un carico 1.25 volte superiore alla portata massima, fatto accompagnare fino a fine corsa (fune tutta fuori) per 10 minuti (come riportato su DIN 15112:1979).

La prova dinamica è fatta verificando il corretto funzionamento del bilanciatore (estrazione e rientro fune) per 1 ora di tempo con bilanciatore caricato 1.1 volte carico massimo.

SCELTA DEL BILANCIATORE

Valutare il carico complessivo da equilibrare: utensile, accessori e parti dei tubi o cavi sostenuti dal bilanciatore. Il carico complessivo da equilibrare deve essere compreso fra la portata minima e massima del bilanciatore.

MESSA IN SERVIZIO DEL BILANCIATORE

Valutare l'estensione dell'area di lavoro e, se opportuno, appendere il bilanciatore ad un carrello in modo da consentire il corretto utilizzo in una zona di ampiezza adeguata all'attività da svolgere.

Se per l'installazione sono utilizzati dispositivi di fissaggio a vite, devono essere utilizzati dadi autobloccanti, copiglie o altri sistemi di sicurezza. Per evitare usure anomale il carico deve essere applicato verticalmente. Il bilanciatore deve poter essere libero di muoversi nella sua sospensione così che possa allinearsi alla direzione del carico.

Il bilanciatore deve essere installato su una struttura con opportuna resistenza meccanica. Resistenza meccanica struttura > 5*(Peso Bilanciatore + Carico MAX.).

È possibile installare più bilanciatori ad una medesima struttura principale fatto salvo che ognuno abbia un attacco indipendente e che la struttura abbia resistenza meccanica superiore 5 volte al peso di tutti i bilanciatori e dei relativi carichi massimi.

È possibile installare più bilanciatori ad una medesima struttura secondaria (fune di sicurezza) fatto salvo che ognuno abbia un attacco indipendente e che la struttura abbia resistenza meccanica superiore 5 volte al peso di tutti i bilanciatori e dei relativi carichi massimi. In fase di messa in funzione si suggerisce di utilizzare la seguente procedura:

- Installare il bilanciatore alla struttura principale tramite il gancio di sospensione se presente o foro di fissaggio.
- Collegare il dispositivo di sicurezza alla struttura secondaria.
- Sollevare il carico da collegare al bilanciatore.
- Collegare il tubo (23) (Fig.2) al nipplo (16) (Fig.2);
- Collegare l'alimentazione di aria compressa al nipplo del tubo (23) (Fig.2);
- Collegare l'utensile al nipplo (21) (Fig.2-4).
- Fare scendere il carico facendo srotolare il tubo del bilanciatore e regolare il morsetto limitatore di corsa per non portare il carico al di sopra dell'operatore (immagini di come eseguire la regolazione).
- Regolare la forza del bilanciatore fino al bilanciamento del carico collegato. Ruotare nel senso indicato dal segno + per aumentare la forza del bilanciatore. Ruotare nel senso indicato dal segno - per diminuire la forza del bilanciatore.

Garantire un'illuminazione delle zone di lavoro sufficiente a consentire una buona visuale delle operazioni e di tutti gli elementi dell'attrezzatura, evitando zone d'ombra, abbagliamenti ed effetti stroboscopici.



Per i bilanciatori non dotati di gancio di sospensione è opportuno predisporre un attacco che non blocchi i movimenti (oscillazione e rotazione) necessari al corretto funzionamento del bilanciatore.



Utilizzare il foro (A) (Fig.1) per la sospensione principale e il foro (S) (Fig.1) per la sospensione di sicurezza. Collegare sempre la sospensione di sicurezza (S) utilizzando esclusivamente gli accessori forniti in dotazione (Fig.1) ad un sostegno opportunamente dimensionato. Il supporto di sicurezza NON DEVE ESSERE lo stesso usato per la sospensione principale (A) (Fig.1). La massima caduta in caso di rottura della sospensione principale non deve essere maggiore di 100 mm. Fare fuoriuscire i tratti morti di fune di almeno 20 mm e serrare i dadi dei morsetti 21215 (Fig.1) gradualmente in contemporanea con una coppia di 2 Nm.

REGOLAZIONE DEL BILANCIATORE

Per permettere al bilanciatore di equilibrare carichi maggiori entro la capacità di carico ammessa, ruotare il pomello (4) come mostrato in (Fig.2) (in senso antiorario, indicato dal segno "+". La regolazione non è continua, ma a scatti: dopo ogni scatto il pomello (4) deve tornare a contatto con la targa (5) (Fig.2). Per carichi più leggeri estrarre il pomello (4) e, tenendolo ben stretto, ruotarlo come mostrato in (Fig.3): dopo ogni scatto il pomello deve tornare a contatto con la targa (5) (Fig.3).

Dopo la regolazione del carico verificare che il tubo possa scorrere liberamente per tutta la sua lunghezza: il movimento non deve essere limitato dal completo avvolgimento della molla. Verificare più volte la corsa a differenti velocità.

NOTA: una riduzione della capacità del bilanciatore di sopportare il carico appeso può significare che la molla del tamburo si sta rompendo. **NON MODIFICARE LA REGOLAZIONE DEL BILANCIATORE PER SOPPORTARE UGUALMENTE IL CARICO MA INTERPELLARE IMMEDIATAMENTE IL PERSONALE SPECIALIZZATO AUTORIZZATO ALLA MANUTENZIONE.**

Non utilizzare con carico massimo applicato superiore al carico massimo consentito e bilanciato mediante l'uso del regolatore.

UTILIZZO DEL BILANCIATORE

Impugnare l'utensile appeso al bilanciatore ed effettuare le operazioni richieste; quindi accompagnare l'utensile in una posizione di equilibrio, sulla verticale del bilanciatore, e rilasciarlo.

Lo svolgimento del tubo non deve mai essere completo: la corsa di lavoro deve terminare almeno 100 mm prima del limite inferiore della corsa.

Se necessario spostare e bloccare il morsetto (18) (Fig.4) per limitare la corsa verso l'alto.



Non sganciare il carico se il morsetto (18) (Fig.4) non è appoggiato alla graffatura del tubo (POSIZIONE VISIBILE IN FIGURA 4).

- non abbandonare il carico in posizione non verticale;
- non lanciare il carico appeso ad un altro operatore;
- non spostare il carico tirando la fune del bilanciatore;
- non appendere carichi non compresi tra i limiti superiore e inferiore della portata ammessa;
- non appendere più di un utensile al bilanciatore.



Il rischio maggiore connesso con l'uso del bilanciatore consiste nell'eventuale riavvolgimento incontrollato del tubo.

- 1 se, per qualsiasi motivo, il tubo non viene riavvolto dal bilanciatore, NON intervenire e interpellare immediatamente il servizio assistenza;
- 2 non sganciare mai il carico se il tubo non è completamente avvolto nel tamburo, evitare il contatto del tubo con il passatubo;
- 3 nel caso si trovasse il bilanciatore con il tubo svolto e nessun carico applicato, NON intervenire e interpellare immediatamente il servizio assistenza.
- 4 Durante l'uso il tubo deve essere dritto e non deve essere in contatto con rimandi o pulegge o eventuali strutture esterne poste in vicinanza del punto di installazione ed utilizzo del bilanciatore.
- 5 È consentito l'utilizzo del bilanciatore esclusivamente con il tubo in verticale.
- 6 La regolazione della corsa del bilanciatore deve essere tale da garantire la posizione dell'utensile ad una altezza pari o inferiore a quella dell'operatore indipendentemente dal punto di fissaggio della macchina.
- 7 Non torcere (oltre 360°) il tubo durante l'uso, se il carico deve ruotare rispetto al bilanciatore prevedere l'uso di opportuno accessorio.
- 8 Se il bilanciatore dispone di comando di blocco azionarlo in caso di non utilizzo dell'utensile ad esso applicato (fine turno di lavoro).



Dopo l'intervento dei dispositivi che evitano la caduta del carico o il rientro incontrollato della fune è necessaria una revisione del bilanciatore. A tal proposito contattare il Vs. rivenditore. Quando il bilanciatore viene utilizzato con un utensile elettrico fare riferimento al manuale di quest'ultimo per la gestione degli eventuali rischi residui. Non utilizzare il bilanciatore impugnandolo dal tubo, ma impugnare l'utensile ad esso collegato.

SOSTITUZIONE DEL CARICO/CAMBIO UTENSILE

Prima di procedere al cambio utensile è necessario riavvolgere completamente il tubo del bilanciatore senza utilizzare il dispositivo di regolazione della corsa come dispositivo di blocco.

Se sono presenti dispositivi di blocco è possibile anche procedere nella seguente maniera:

- Sostenere il carico in maniera differente (non tramite il tubo del bilanciatore).
- Scollegare il carico dal bilanciatore.
- Collegare il nuovo carico, portarlo in posizione verticale al di sotto del bilanciatore con tubo in tensione.
- Regolare il bilanciatore, se necessario, per equilibrare il nuovo carico (nuovo carico con peso differente dal precedente).



Non allontanarsi per nessun motivo dal bilanciatore se a questo non è collegato un carico.

ISPEZIONE

Il bilanciatore deve essere regolarmente sottoposto a ispezione visiva (per esempio una volta per ogni turno di lavoro), in particolare per verificare lo stato delle sospensioni (A) ed (S) (Fig.1), delle viti di fissaggio e dei sistemi autobloccanti (se usati), e la condizione del tubo e dei raccordi pneumatici.

- Verificare che il movimento del tubo sia dolce e l'assenza di rumori anomali;
- Non lubrificare il bilanciatore con liquidi infiammabili o volatili;
- Non rimuovere alcuna targhetta. Far sostituire qualsiasi targhetta deteriorata;
- Almeno una volta all'anno il bilanciatore deve essere ispezionato da personale specializzato e autorizzato.

In caso di comportamento anomalo del bilanciatore contattare il Vs. rivenditore.

MANUTENZIONE

La manutenzione può essere effettuata solo da personale specializzato e autorizzato.

Utilizzare solo ricambi originali INGERSOLL-RAND. Per la richiesta di parti di ricambio, il Cliente è pregato di rivolgersi al fornitore dell'apparecchio o direttamente al costruttore, specificando i dati identificativi della macchina riportati sulla targa.

Non effettuare alcuna modifica al gruppo tubo, in particolare NON ACCORCIARE il tubo: in caso di necessità, interpellare il proprio fornitore o direttamente il costruttore.



Non disassemblare mai il bilanciatore. La manutenzione deve essere eseguita solo da personale specializzato e autorizzato.

GARANZIA

L'impiego di ricambi non originali INGERSOLL-RAND influisce negativamente sulla sicurezza, sulle prestazioni e, comunque, fa decadere la garanzia.



Il tubo e la molla del tamburo non sono coperti da garanzia.

SMALTIMENTO

Al termine della vita operativa del bilanciatore procedere come segue:

- Riavvolgere completamente il tubo.
- Scollegare il carico dal bilanciatore
- Scollegare il bilanciatore dalle sospensioni primaria e di sicurezza.
- Procedere a scaricare completamente la molla del bilanciatore.

Scaricato il bilanciatore è possibile procedere alla rottamazione dello stesso nel rispetto delle normativa vigente in merito.



Der Federzug ist vor der Verwendung zu installieren. Dieser Vorgang ist unter Befolgen der in diesem Handbuch enthaltenen Anweisungen durch Fachpersonal vorzunehmen:
EINE NICHT KORREKTE INSTALLATION KANN SCHÄDEN AN PERSONEN UND/ODER GEGENSTÄNDEN HERVORRUFEN.



Dieses Handbuch enthält wichtige Informationen, welche eine sichere Bedienung des Gerätes ermöglicht. Stellen Sie sicher, die Anweisungen gut verstanden zu haben, bevor Sie den Federzug einsetzen.
DIE NICHTBEACHTUNG DIESER HINWEISE KANN ZU VERLETZUNGEN FÜHREN.

Der Federzug wurde in Übereinstimmung mit den zum Zeitpunkt seiner Markteinführung zutreffenden und geltenden Europarichtlinien, welche die CE-Markierung des Produkts vorsehen, hergestellt.

VORGESEHENER EINSATZBEREICH

Der vorgesehene Einsatzbereich eines Federzugs ist der Ausgleich des konstanten Gewichts eines Werkzeugs während der vertikalen Bewegung.

Der Federzug ist zur ausschließlichen manuellen Verwendung durch nur jeweils einen Bediener bestimmt.

Der Federzug ist zur Verwendung im Innenbereich bei Temperaturen zwischen 5°C und 60°C bestimmt.



Die Verwendung des Federzugs bei Temperaturen außerhalb dieses Bereichs kann zu einer vorzeitigen Beschädigung des Federzugs oder einiger ihrer Komponenten führen.

Für eine bessere Nutzung des Federzugs empfiehlt sich die Aufhängung der Last im Schwerpunkt.



Es ist notwendig, den Federzug in Übereinstimmung mit allen Vorschriften hinsichtlich Federzüge, Werkzeuge und Arbeitsplätze zu kontrollieren und dessen volle Funktionstüchtigkeit zu erhalten.



Traglastbereich (min.+max.) des Federzugs in kg;



Seilanzuglänge des Federzugs in mm;



Masse des Federzugs in kg.

Die Firma INGERSOLL-RAND haftet nicht für von den obenstehend angegebenen abweichenden Verwendungen.

TECHNISCHE SPEZIFIKATIONEN

Innendurchmesser des Schlauches:	Ø 6 mm (9200/9201/9202)	Ø 8 mm (9203)
Höchstdruck:	8 bar	8 bar
Höchsttemperatur:	50 °C	50 °C
Lufteinlass-/auslassstutzen:	G1/4	G1/4

FEHLANWENDUNGEN

Erlauben Sie Minderjährigen nicht die Bedienung des Federzugs.

Arbeiten Sie nicht unter dem Federzug und seiner Last, gehen Sie nicht darunter durch und halten Sie sich nicht darunter auf.

Nicht geeignet für die Verwendung im Lebensmittel- oder Arzneimittelbereich.

Nicht geeignet für die Verwendung im Freien oder in Umgebungen mit Vorhandendein korrosiver Chemikalien.

Mit Ausnahme der ATEX-Modelle sind die Federzüge nicht geeignet für den Einsatz in Umgebungen mit potentiell explosiver Atmosphäre.

Nicht mit Lasten außerhalb der auf dem Typenschild angegebenen Werte verwenden.

STATISCHE UND DYNAMISCHE TESTS

Statische und dynamische Tests (Maschinenrichtlinie 2006/42/EG, Anlage I, Punkt 4.1.3) werden stichprobenartig für jede Produktionscharge ausgeführt.

Die statischen Tests werden ausgeführt, indem am Federzug eine 1.25 Mal über der maximalen Nutzlast liegende Last angebracht und für 10 Minuten bis zum Endanschlag (Seil ganz herausgezogen) geführt wird (wie angegeben in DIN 15112:1979).

Der dynamische Test erfolgt durch die Überprüfung des einwandfreien Betriebs des Federzugs (Ausziehen und Einfahren des Seils) für eine Zeit von 1 Stunde mit dem 1.1-fachen der Höchstlast belasteten Federzug.

WAHL DES FEDERZUGS

Bestimmen Sie die ausgleichende Gesamtlast: Werkzeug, Zubehör und Teile der vom Federzug gehaltenen Rohre oder Kabel. Das ausgleichende Gesamtgewicht muss zwischen der minimalen und maximalen Nutzlast des Federzugs liegen.

INBETRIEBNAHME DES FEDERZUGS

Beurteilen Sie die Reichweite des Arbeitsbereichs und hängen Sie den Balancer ggf. an eine Rollenführung, um ihn in einem ausreichend großen Bereich für die erforderlichen Tätigkeiten einsetzen zu können.

Wenn für die Installation Schraubbefestigungsvorrichtungen eingesetzt werden, sind selbstblockierende Muttern, Splinte oder andere Sicherheitssysteme zu verwenden.

Zur Vermeidung eines anormalen Verschleißes muss die Last vertikal angebracht werden. Der Federzug muss sich in seiner Aufhängung frei bewegen können, damit er sich in Richtung der Last ausrichten kann..

Der Federzug ist auf einer Tragkonstruktion mit ausreichend bemessener mechanischer Festigkeit zu installieren. Mechanische Festigkeit der Tragkonstruktion $> 5 \cdot (\text{Federzuggewicht} + \text{Last MAX.})$.

Es ist möglich, mehrere Federzüge auf ein und derselben Haupttragkonstruktion zu installieren, unter der Voraussetzung, dass jeder Federzug einen unabhängigen Verbindungspunkt hat und dass die Tragkonstruktion die 5-fache mechanische Festigkeit aller Federzüge und aller maximalen Lasten aufnehmen kann.

Es ist möglich, mehrere Federzüge auf ein und derselben Sekundärtragkonstruktion zu installieren, unter der Voraussetzung, dass jeder Federzug einen unabhängigen Verbindungspunkt hat und dass die Tragkonstruktion die 5-fache mechanische Festigkeit aller Federzüge und aller maximalen Lasten aufnehmen kann

Es empfiehlt sich, bei der Inbetriebnahme dem nachstehenden Verfahren gemäß vorzugehen:

- Installieren Sie den Federzug mit Hilfe des Einhänghakens, falls vorhanden, oder der Befestigungsöffnung an der Haupttragkonstruktion.
- Verbinden Sie die Sicherheitsvorrichtung an der Sekundärtragkonstruktion.
- Heben Sie die mit dem Federzug zu verbindende Last an.
- Schließen Sie den Schlauch (23) (Abb.2) an den Nippel (16) (Abb.2) an;
- Verbinden Sie die Druckluftversorgung mit dem Nippel des Schlauches (23) (Abb.2);
- Verbinden Sie das Werkzeug mit dem Nippel (21) (Abb.2-4).
- Lassen Sie die Last sinken, indem Sie das Seil des Federzugs abrollen lassen und regulieren Sie die Laufbegrenzungsklemme, um die Last nicht über den Bediener zu bringen.
- Stellen Sie die Kraft des Federzugs ein, bis die aufgehängte Last ausgeglichen ist. Drehen Sie in der durch das Zeichen + angegebenen Richtung, um die Kraft des Federzugs zu erhöhen. Drehen Sie in der durch das Zeichen - angegebenen Richtung, um die Kraft des Federzugs zu verringern.

Stellen Sie eine ausreichende Beleuchtung des Arbeitsbereiches sicher, um eine gute Sicht auf die Arbeitsschritte und alle Elemente der Ausrüstung ohne Schattenzonen, Blendwirkungen und stroboskopische Effekte zu ermöglichen.



Bei allen Federzügen, die keinen Aufhängehaken haben, ist darauf zu achten, dass dieser so an der Hauptkonstruktion befestigt wird, dass er die für den korrekten Betrieb des Balancers selbst funktionalen Bewegungen (Schwingungen und Drehungen) nicht blockiert.



Verwenden Sie die Öffnung (A) (Abb.1) für die Hauptaufhängung und die Öffnung (S) (Abb.1) für die Sicherheitsaufhängung.

Verbinden Sie die Sicherheitsaufhängung (S) unter ausschließlicher Verwendung des mitgelieferten Zubehörs (Abb.1) mit einer ausreichend bemessenen Halterung. Die Sicherheitshalterung DARF NICHT die gleiche sein, die für die Hauptaufhängung (A) verwendet wird (Abb.1). Wenn die Hauptaufhängung bricht, darf die maximale Fallstrecke nicht mehr als 100 mm betragen. Die nicht unter Spannung stehenden Seilstücke zumindest 20 mm austreten lassen und ziehen Sie schrittweise die Schraubenmutter der 21215 Zwingen (Abb. 1) zusammen mit einem 2 Nm Drehmoment an.

EINSTELLUNG DES FEDERZUGS

Damit der Federzug größere Lasten innerhalb des zulässigen Traglastbereiches ausgleichen kann, drehen Sie den Knauf (4) wie in der (Abb.2) gezeigt (im Gegenuhr zeigersinn, gekennzeichnet durch das Zeichen +; die Einstellung erfolgt nicht stufenlos, sondern schrittweise: Nach jedem Schritt muss der Knauf (4) wieder Kontakt mit der Plakette (5) (Abb.2) haben). Ziehen Sie den Knauf (4) bei leichteren Lasten heraus, halten ihn gut fest und drehen ihn wie in der (Abb.3) gezeigt: Nach jedem Schritt muss der Knauf wieder Kontakt mit der Plakette (5) (Abb.3) haben.

Nach der Einstellung der Last stellen Sie sicher, dass der Schlauch auf seiner gesamten Länge frei laufen kann: Die Bewegung darf durch die vollständige Aufwicklung der Feder nicht begrenzt werden. Prüfen Sie den Lauf mehrmals bei verschiedenen Geschwindigkeiten.

HINWEIS: Eine Minderung der Tragfähigkeit des Federzugs zur Aufnahme der angehängten Last kann bedeuten, dass die Feder der Trommel bald bricht. ÄNDERN SIE DIE EINSTELLUNG DES FEDERZUGS NICHT MIT DEM ZIEL, DIE LAST DENNOCH AUZFÜHREN, SONDERN NEHMEN SIE UNVERZÜGLICH KONTAKT MIT ZUR WARTUNG BEFUGTEM FACHPERSONAL AUF.

Nicht mit einer beaufschlagten Last über der maximal zulässigen und mit Hilfe des Reglers ausbalancierten Last verwenden.

VERWENDUNG DES FEDERZUGS

Ergreifen Sie das am Federzug angehängte Werkzeug und führen Sie die geforderten Arbeitsschritte aus. Begleiten Sie das Werkzeug anschließend in eine Gleichgewichtsposition auf der Senkrechten des Federzugs und lassen es wieder los.

Die auszugleichende Last ist am Karabinerhaken (24) (Abb.4) einzuhängen. Stellen Sie sicher, dass der Karabinerhaken nach dem Anbringen der Last geschlossen ist.

Die Abwicklung des Schlauches darf niemals vollständig erfolgen: Der Arbeitslauf muss mindestens 100 mm vor der unteren Laufgrenze enden.

Blockieren Sie die Klemme (18) (Abb.4) gegebenenfalls, um den Lauf nach oben zu begrenzen.



Last nicht abnehmen, wenn die Klemme (18) (Abb.4) nicht auf der Verklammerung des Schlauchs anliegt (SIEHE ABBILDUNG 4).

- Lassen Sie die Last nicht los, wenn sie sich nicht in vertikaler Position befindet;
- Schwingen / werfen Sie die anhängende Last nicht zu einem anderen Bediener;
- Die Last darf nicht durch Ziehen am Schlauch des Federzugs bewegt werden;
- Das Anhängen von Lasten, die nicht innerhalb der zulässigen Mindest- und Höchstnutzlast liegen, ist verboten;
- Das Anhängen von mehr als einem Werkzeug an den Federzug ist verboten.



Das größte Risiko in Verbindung mit der Verwendung des Federzugs besteht im eventuellen unkontrollierten Wiederaufwickeln des Schlauchs.

- 1 Sollte der Schlauch aus irgendeinem Grund nicht vom Federzug aufgewickelt werden, greifen Sie NICHT selbst ein, sondern verständigen unverzüglich den Kundendienst.
- 2 Hängen Sie niemals die Last aus, wenn der Schlauch nicht vollständig in der Trommel aufgewickelt ist. Vermeiden Sie den Kontakt des Schlauchs mit dem Gehäuse.
- 3 Sollte der Schlauch des Federzugs abgewickelt und keine Last angebracht sein, verständigen Sie unverzüglich den Kundendienst.
- 4 Während der Verwendung muss der Schlauch gerade sein und darf keine Berührung mit Umlenkungen oder Riemenscheiben oder eventuellen externen Strukturen in der Nähe der Installations- und Einsatzstelle des Federzugs haben.
- 5 Der Federzug darf nur mit dem Schlauch in der Vertikalen verwendet werden.
- 6 Die Hubeinstellung des Federzuges muss so erfolgen, dass das Werkzeug auf oder unter der Höhe des Bedieners positioniert ist, unabhängig davon, wo der Federzug eingebaut ist.
- 7 Verdrehen Sie das Seil während des Betriebs nicht (über 360 ° hinaus). Wenn sich die Last während des Betriebs drehen muss, stellen Sie sicher, dass das dafür vorgesehene Werkzeug verwendet wird.
- 8 Sollte der Federzug mit einer Arretiervorrichtung versehen sein, verwenden Sie diese, wenn das daran hängende Werkzeug nicht benutzt wird (Ende der Arbeitsschicht).



**Nach der Auslösung der Vorrichtungen, die den Lastabsturz oder das unkontrollierte Aufwickeln des Seils verhindern, ist eine Revision des Balancers erforderlich. Wenden Sie sich dazu an Ihren Händler.
Wenn der Federzug mit einem Elektrowerkzeug verwendet wird, beachten Sie bitte die Bedienungsanleitung des Elektrowerkzeugs für den Umgang mit eventuellen Restrisiken.
Verwenden Sie den Federzug nicht, indem Sie ihn am Schlauch anfassen, sondern fassen Sie nur das angehängte Werkzeug an.**

LASTWECHSEL/AUSWECHSELUNG DES WERKZEUGS

Vor dem Werkzeugwechsel fortzufahren, ist es notwendig, der Schlauch des Federzugs vollständig zurückzuspulen, ohne die Hubverstellung als Arretiervorrichtung zu verwenden.

Falls Blockiervorrichtungen vorhanden sind, ist es möglich, wie folgt vorzugehen:

- Stützen Sie die Last auf andere Weise (nicht mittels des Schlauch des Federzugs).
- Trennen Sie die Last vom Federzug.
- Verbinden Sie die neue Last und bringen diese in die vertikale Position unter dem Federzug mit angespanntem Schlauch.
- Regulieren Sie den Federzug, falls erforderlich, um die neue Last auszugleichen (neue Last mit anderem Gewicht als dem vorherigen).



Entfernen Sie sich aus keinem Grund vom Federzug, wenn an diesem keine Last angebracht ist.

INSPEKTION

Der Federzug ist regelmäßig einer Sichtprüfung zu unterziehen (zum Beispiel einmal pro Arbeitsschicht). Dabei ist insbesondere der Zustand der Aufhängungen (A) und (S) (Abb. 1a/b), der Befestigungsschrauben und der selbstsperrenden Systeme (falls verwendet) sowie die Beschaffenheit der Haken und des Seils zu kontrollieren.



Zur Überprüfung der Seile hinsichtlich Ihrer Ablegereife (Ersatz des Seiles) beziehen Sie sich auf die Vorschriften der Norm ISO 4309:2011. (Einige Beispiele siehe Abb.5).

- Stellen Sie sicher, dass die Bewegung des Schlauchs leichtgängig ist und keine ungewöhnlichen Geräusche auftreten.
- Schmieren Sie den Federzug nicht mit entflammaren oder flüchtigen Flüssigkeiten.
- Entfernen Sie keinerlei Typenschilder. Lassen Sie jegliches beschädigte Typenschild ersetzen
- Der Federzug ist mindestens einmal pro Jahr durch autorisiertes Fachpersonal zu inspizieren.

Nehmen Sie bei anomalem Verhalten des Federzugs Kontakt mit Ihrem Vertragshändler auf.

WARTUNG

Wartungsarbeiten dürfen nur von befugtem Fachpersonal durchgeführt werden.

Verwenden Sie nur Ersatzteile von INGERSOLL-RAND. Der Kunde wird gebeten, sich zur Anforderung von Ersatzteilen unter Angabe der auf dem Typenschild eingetragenen Kenndaten an den Lieferanten des Gerätes oder direkt an den Hersteller zu wenden. Nehmen Sie keine Änderung an der Seilgruppe vor. VERKÜRZEN SIE INSBESONDERE NICHT das Schutzausrüstungen. Nehmen Sie im Bedarfsfall Kontakt mit Ihrem Lieferanten oder direkt mit dem Hersteller auf.



Bauen Sie den Federzug niemals auseinander. Wartungsarbeiten dürfen nur von befugtem Fachpersonal durchgeführt werden.

GARANTIE

Die Verwendung nicht originaler Ersatzteile von INGERSOLL-RAND beeinträchtigt die Sicherheit und die Betriebsleistung und führt darüber hinaus zum Verfall der Garantie.



Der Schlauch und die Trommelfeder fallen nicht unter die Gewährleistung.

ENTSORGUNG

Am Ende des Betriebslebens des Federzugs ist wie folgt vorzugehen:

- Wickeln Sie den Schlauch vollständig auf.
- Trennen Sie die Last vom Federzug.
- Trennen Sie den Federzug von der Primäraufhängung und von der Sicherheitsaufhängung.
- Entspannen Sie vollständig die Feder des Federzugs.

Nach dem Entladen des Federzugs ist es möglich, diesen unter Einhaltung der zuständigen geltenden Gesetzgebung der Verschrottung zuzuführen.



De balancer moet vóór het gebruik geïnstalleerd worden. Deze handeling moet worden uitgevoerd door deskundigen en in overeenstemming met de in deze handleiding gegeven instructies:
EEN ONJUISTE INSTALLATIE KAN LEIDEN TOT LICHAAMELIJK LETSEL EN/OF SCHADE AAN VOORWERPEN.



Deze handleiding bevat belangrijke informatie met betrekking tot het veilige gebruik van het apparaat. Zorg ervoor dat u alle instructies goed begrepen heeft alvorens de balancer te gebruiken.
HET NIET OPVOLGEN VAN DEZE WAARSCHUWINGEN KAN LICHAAMELIJK LETSEL TEN GEVOLGE HEBBEN.

De balancer werd uitgevoerd in overeenstemming met de relevante en, op het moment van het in de handel brengen, toepasbare EU-richtlijnen die voorzien in de CE-markering van het product.

BEOOGD GEBRUIK

Het beoogde gebruik van de balancer is het annuleren van het constante gewicht van een gereedschap tijdens een verticale verplaatsing.

De balancer is uitsluitend bestemd om handmatig gebruikt te worden door een enkele operator per keer.

De balancer is bestemd om gebruikt te worden in een overdekte ruimte met temperaturen tussen 5°C en 60°



Het gebruik van de balancer met temperaturen buiten dit interval kan een vroegtijdige verslechtering van de balancer veroorzaken, of van enkele componenten daarvan.

Voor een beter gebruik van de balancer is het raadzaam dat de lading aan het zwaartepunt hangt.



Het is noodzakelijk de balancer te gebruiken, te controleren en in perfecte staat te behouden, in overeenstemming met alle normen betreffende balancers, gereedschap en werkplekken.



Vermogen van de balancer, uitgedrukt in kg, vanaf de minimum waarde tot de maximale waarde;



Lengte van de kabel van de balancer, uitgedrukt in mm;



Gewicht van de balancer in kg.

INGERSOLL-RAND is niet aansprakelijk voor ander dan het hiervoor vermelde gebruik.

TECHNISCHE SPECIFICATIES

Binnendiameter van de slang:	Ø 6 mm (9200/9201/9202)	Ø 8 mm (9203)
Maximale druk:	8 bar	8 bar
Maximum temperatuur:	50 °C	50 °C
Koppelingen luchtinvoer/-uitvoer	G1/4	G3/8

ONEIGENLIJK GEBRUIK

Het gebruik van de balancer door minderjarigen is niet toegestaan.

Werk, loop of verblijf niet onder de balancer en onder diens last.

Niet geschikt voor gebruik in een omgeving voor levensmiddelen of geneesmiddelen.

Niet geschikt voor gebruik in de openlucht of in een omgeving waarin bijtende chemische agentia aanwezig zijn.

Met uitzondering van de ATEX-modellen zijn de balancers niet geschikt om gebruikt te worden in een omgeving met een potentieel explosieve atmosfeer.

Niet gebruiken met ladingen buiten het bereik dat op de typeplaatje aangeduid wordt.

STATISCHE EN DYNAMISCHE TESTEN

Statische en dynamische testen (machinerichtlijn 2006/42/EG, bijlage I, punt 4.1.3) worden uitgevoerd op monsters van iedere productiepartij.

De statische testen zijn uitgevoerd door een lading met de balancer te verbinden die 1,25 keer zwaarder is dan het maximum draagvermogen, die vergezeld wordt tot aan het einde van de slag (kabel geheel buiten), gedurende 10 minuten (zoals vermeld wordt op DIN 15112:1979).

De dynamische test is uitgevoerd door de correcte werking van de balancer te controleren (extractie en intrekking kabel) gedurende 1 uur, met een balancer die geladen is met 1,1 keer de maximum lading.

KEUZE VAN DE BALANCER

Beoordeel de totaal te balanceren lading: de door de balancer te dragen gereedschappen, accessoires en delen van de slangen of kabels. De totaal te balanceren lading moet binnen het minimale en maximale vermogen van de balancer liggen.

INBEDRIJFSTELLING VAN DE BALANCER

Beoordeel de afmetingen van het werkgebied en, indien geschikt, hang de balancer op aan een wagen voor een correct gebruik in een op de uit te voeren bewerkingen afgestelde zone.

Indien er voor de installatie bevestigingsmiddelen met schroefdraad worden toegepast, moeten zelfsluitende moeren, splitpennen of andere veiligheidssystemen gebruikt worden.

Om abnormale slijtage te voorkomen moet de lading verticaal worden aangebracht. De balancer moet in de ophanging vrij kunnen bewegen om zich op één lijn te kunnen stellen met de richting van de lading.

De balancer moet geïnstalleerd worden op een structuur die de geschikte mechanische weerstand heeft. Mechanische weerstand structuur > 5*(Gewicht Balancer + MAX. Lading).

Het is mogelijk meer balancers op dezelfde hoofdstructuur te installeren maar ieder ervan moet een eigen aansluiting hebben en de structuur moet een mechanische weerstand hebben van meer dan 5 keer het gewicht van alle balancers en bijbehorende maximum ladingen tezamen.

Het is mogelijk meer balancers op dezelfde secundaire structuur te installeren (veiligheidskabel) maar ieder ervan moet een eigen aansluiting hebben en de structuur moet een mechanische weerstand hebben van meer dan 5 keer het gewicht van alle balancers en bijbehorende maximum ladingen tezamen.

Tijdens de fase van inwerkingstelling wordt gesuggereerd de volgende procedure te gebruiken:

- Installeer de balancer op de hoofdstructuur met de hijshaak, indien aanwezig, of met het bevestigingsgat.
- Sluit de veiligheidsvoorziening op de secundaire structuur aan.
- Til de lading op die met de balancer verbonden moet worden.
- Sluit de slang (23) (Afb.2) aan op de nippel (16) (Afb.2);
- Sluit de persluchtvoeding aan op de nippel van de slang (23) (Afb.2);
- Sluit het gereedschap aan op de nippel (21) (Afb.2-4)
- Laat de lading omlaag komen door de slang van de balancer af te wikkelen en regel de klem van de slagbegrenzer om de lading niet boven de operator te brengen.
- Regel de kracht van de balancer tot de verbonden lading in evenwicht is. Draai in de richting die aangeduid wordt door het + teken om de kracht van de balancer te verhogen. Draai in de richting van het - teken om de kracht van de balancer te verlagen.

Garandeer dat de verlichting van de werkzones voldoende is om goed zicht op de handelingen en op alle elementen van de uitrusting te hebben, vermijd schaduwzones, verblinding en stroboscoopeffecten.



Voor de balancers die geen hijshaak hebben, is het zaak voor een aansluiting te zorgen die niet de bewegingen blokkeert (oscillatie, rotatie) die nodig zijn voor de correcte werking van de balancer.



Gebruik de opening (A) (Afb.1) voor de hoofdophanging en de opening (S) (Afb.1) voor de veiligheidsophanging. Verbind altijd de veiligheidsophanging (S) met behulp van de bijgeleverde accessoires (Afb.1) aan een juist geproportioneerde ondersteuning. De veiligheids-ondersteuning MOET NIET dezelfde zijn die gebruikt werd voor de hoofdophanging (A) (Afb.1). De grootst mogelijke val in geval van breuk van de hoofdophanging moet niet groter zijn dan 100 mm. Laat de dode stukken kabel minstens 20 mm naar buiten steken en haal de moeren van de klemmen 21215 (Afb.1) geleidelijk en tegelijkertijd aan met een koppel van 2 Nm.

INSTELLING VAN DE BALANCER

Om de balancer in staat te stellen om zwaardere ladingen binnen het toegestane laadvermogen te balanceren, draai de knop (4) zoals afgebeeld in (Afb.2) (naar links, weergegeven met het teken "+", de aanpassing is niet continu, maar stapsgewijs), de knop (4) moet na iedere schakeling weer contact maken met de plaat (5) (Afb.2). Voor lichtere ladingen trek de knop (4) uit en houd hem stevig vast, draai naar rechts zoals afgebeeld in (Afb.3), de knop moet na iedere schakeling weer contact maken met de plaat (5) (Afb.3). Controleer, volgend op de regeling van de lading, of de slang vrij kan bewegen over zijn gehele lengte: de beweging moet niet beperkt worden door de volledige omspanning van de veer. Controleer de beweging meerdere malen op verschillende snelheden. N.B.: een afname van de capaciteit van de balancer om de hangende lading te ondersteunen kan betekenen dat de veer van de trommel bezig is stuk te gaan. WIJZIG DE INSTELLING VAN DE BALANCER NIET OM DE LADING TOCH TE KUNNEN ONDERSTEUNEN MAAR VRAAG ONMIDDELIJK OM DE TUSSENKOMST VAN PERSONEEL DAT GESPECIALISEERD IS IN ONDERHOUD EN DAARVOOR GEAUTORISEERD IS.

Niet gebruiken met een aangebrachte maximum lading die zwaarder is dan de toegestane maximum lading en die in evenwicht gebracht is met gebruik van de regelaar.

GEBRUIK VAN DE BALANCER

Pak het aan de balancer gekoppelde gereedschap vast en voer de vereiste bewerkingen uit; begeleid het gereedschap vervolgens in een evenwichtspositie in verticaal ten opzichte van de balancer en laat het los.

De te balanceren lading moet aan de musketonhaak (24) (Afb.4) bevestigd worden. Zorg ervoor dat, na het bevestigen van de lading, de musketonhaak gesloten is.

De slang moet nooit volledig afgewikkeld worden: de werkbeweging moet minstens 100 mm vóór de uiterste limiet van de beweging stoppen.

Indien nodig kan de klem (18) (Afb.4) verplaatst en geblokkeerd worden om de werkbeweging in hoogte te beperken.



De lading niet loskoppelen indien de klem (18) (Afb.4) niet op de lus van de slang rust (POSITIE ZICHTBAAR IN AFB.4).

- de lading niet in een niet-verticale positie achterlaten;
- de gekoppelde lading niet naar een andere operator gooien;
- de lading niet verplaatsen door aan de kabel van de balancer te trekken;
- geen ladingen bevestigen die niet aan de toelaatbare bovenste en onderste vermogensgrenzen voldoen;
- niet meer dan één gereedschap tegelijk aan de balancer hangen.



Het grootste risico verbonden aan het gebruik van de balancer is een eventuele ongecontroleerde omwikkeling van de slang;

- 1 Wanneer, om welke reden dan ook, de slang niet door de balancer terug gewikkeld wordt, NIET INGRIJPEN en onmiddellijk de servicedienst contacteren;
- 2 De lading nooit loskoppelen als de slang niet volledig terug gewikkeld is in de trommel, vermijd aanraking met de kabel en met de kabelpassage;
- 3 In geval van balancer met afgewikkelde slang en zonder enig gereedschap gekoppeld, NIET INGRIJPEN en onmiddellijk de servicedienst contacteren;
- 4 Tijdens het gebruik moet de slang recht zijn en niet in aanraking staan met keerschijven of katrollen of met eventuele externe structuren die zich in de nabijheid van de plaats van installatie en gebruik van de balancer bevinden.
- 5 Het gebruik van de balancer is uitsluitend toegestaan met verticale slang.
- 6 De afstelling van de slag van de balancer moet van dien aard zijn dat de positie van het gereedschap gegarandeerd wordt op een hoogte die gelijk is aan of lager is dan die van de operator, onafhankelijk van het bevestigingspunt van de machine.
- 7 Twist de slang niet (voorbeeld 360°) tijdens het gebruik en als de lading moet draaien ten opzichte van de balancer zorg dan voor het gebruik van een geschikt accessoire.
- 8 Als de balancer over een blokkeercommando beschikt, activeer dit dan als het gereedschap dat erop aangesloten is niet gebruikt wordt (einde werkdienst).



Na de inwerkingtreding van de inrichtingen die het vallen van de lading of de ongecontroleerde terugkeer van de kabel vermijden, is het nodig de balancer aan een revisie te onderwerpen. Neem voor dat doel contact op met uw verkoper.

Wanneer de balancer gebruikt wordt met een elektrisch gereedschap, raadpleeg dan de handleiding daarvan voor het beheer van eventuele blijvende risico's.

Gebruik de balancer niet door deze aan de slang vast te nemen maar pak de betreffende musketon vast, of het daarmee verbonden gereedschap.

VERVANGING VAN DE LADING/GEREEDSCHAPSWISSELING

Alvorens de gereedschapswisseling uit te voeren, de slang van de balancer volledig terug te wikkelen zonder de regelaar van de slag als blokkeerinrichting te gebruiken.

Als wel blokkeerinrichtingen aanwezig zijn, is het ook mogelijk als volgt te werk te gaan:

- Ondersteun de lading op een andere manier (niet via de slang van de balancer).
- Sluit de lading van de balancer af.
- Sluit de nieuwe lading aan en breng deze in de verticale stand onder de balancer met gespannen slang.
- Stel de balancer indien nodig af om de nieuwe lading in evenwicht te brengen (nieuwe lading met een ander gewicht dan de vorige).



Verwijder u om geen enkele reden van de balancer als er geen lading op aangesloten.

INSPECTIE

De balancer moet regelmatig aan een visuele inspectie worden onderworpen (bijvoorbeeld een keer voor elke werkploegperiode), in het bijzonder voor de controle van de status van de ophangingen (A) en (S) (Afb.1a/b), van de bevestigingsschroeven en de blokkeringsystemen (indien gebruikt), en de toestand van de haken en de kabel.



Bij de controle van de kabel, met betrekking tot de afkeuringscriteria (vervangning van de kabel), wordt verwezen naar de voorschriften van de norm ISO 4309:2011. (Enkele voorbeelden, zie Afb.5).

- controleer of de beweging van de slang glad is en zonder abnormale geluiden;
 - de balancer niet met ontvlambare of vluchtige vloeistoffen smeren;
 - verwijder de plaatjes niet. Laat elk onleesbaar geworden plaatje vervangen;
 - de balancer moet minstens een keer per jaar worden geïnspecteerd door opgeleid en bevoegd personeel.
- Neem bij afwijkend gedrag van de balancer contact op met uw verkoper.

ONDERHOUD

Het onderhoud mag alleen door getraind en bevoegd personeel worden uitgevoerd.

Gebruik alleen originele reserveonderdelen INGERSOLL-RAND. Voor het opvragen van de reserveonderdelen moet de Klant de leverancier van het apparaat benaderen, of rechtstreeks de fabrikant, met vermelding van de op het typeplaatje aangegeven identificatiegegevens van de machine.

Voer geen enkele wijziging uit op de slanggroep, in het bijzonder de slang NIET INKORTEN: raadpleeg indien nodig uw leverancier of neem rechtstreeks contact op met de fabrikant.



De balancer nooit demonteren. Het onderhoud mag alleen door getraind en bevoegd personeel worden uitgevoerd.

GARANTIE

Het gebruik van niet-originele reserveonderdelen INGERSOLL-RAND heeft een negatieve invloed op de veiligheid, de prestaties, en heeft, in ieder geval, het vervallen van de garantie tot gevolg.



De slang en de trommelveer zijn niet door garantie gedekt.

VERWIJDERING

Aan het einde van de levensduur van de balancer moet als volgt gehandeld worden:

- Wikkel de slang volledig terug
- Sluit de lading van de balancer af
- Sluit de balancer af van de primaire en veiligheidsophanging.
- Laat alle balancer voorjaar.

Als de balancer eenmaal ontlast is, kan overgegaan worden tot de sloop met inachtneming van de van kracht zijnde wetgeving op dat gebied.



Balanseblokken må installeres før den kan tas i bruk. Denne operasjonen må utføres av spesialisert personell og i henhold til instruksjonene i denne håndboken.

EN FEILAKTIG INSTALLASJON KAN FORÅRSAKE SKADE PÅ PERSONER OG/ELLER GJENSTANDER.



Denne håndboken inneholder viktig informasjon som tillater at brukeren kan anvende apparatet på en sikker måte. Se til at alle instruksjoner er lest og forstått før balanseblokken tas i bruk.

MANGLENDE ETTERFØLGELSE AV DISSE ANVISNINGENE KAN MEDFØRE SKADER.

Balanseblokken er utviklet i samsvar med EU-direktiver som var gjeldende da produktet ble lansert på markedet, og som krever CE-merking av produktet.

TILTENKT BRUK

Balanseblokken brukes for å utjevne den konstante vekten til et verktøy mens dette beveger seg vertikalt.

Balanseblokken skal kun benyttes manuelt og av kun én operatør om gangen.

Balanseblokken er beregnet på å bli brukt i lukkede omgivelser og ved temperaturer mellom 5°C til 60°C.



Bruk av balanseblokken ved temperaturer som befinner seg utenfor dette intervallet kan føre til tidlig forringelse av balanseblokken eller noen av dens komponenter.

For bedre å utnytte balanseblokken, anbefaler en at lasten henges opp etter likevektpunktet.



Balanseblokken må brukes, vedlikeholdes og oppbevares i samsvar med gjeldende normativ for balanseblokker, verktøy og selve arbeidsplassen.



Balanseblokkens kapasitet fra laveste til høyeste verdi uttrykt i kg.



Lengden på balanseblokkens vaier uttrykt i mm



Balanseblokkens masse i kg.

INGERSOLL-RAND er ikke ansvarlig for bruk som er forskjellig fra den som er beskrevet ovenfor.

TEKNISKE SPESIFIKASJONER

Slangens innvendige diameter:

Ø 6 mm (9200/9201/9202)

Ø 8 mm (9203)

Maksimalt trykk:

8 bar

8 bar

Maksimal temperatur:

50°C

50°C

Koblingspunkt inn/ut luft:

G1/4

G3/8

URIKTIG BRUK

Ikke la balanseblokken brukes av mindreårige.

En må ikke arbeide, passere under eller oppholde seg under balanseblokken og dens last.

Ikke egnet for bruk i omgivelser med næringsmiddel eller medisiner.

Balanseblokken er ikke egnet for bruk utendørs eller i omgivelser med korrosive kjemiske stoffer.

Med unntak av modellene ATEX er balanseblokkene ikke egnet for bruk i potensielt eksplosive omgivelser.

Må ikke brukes med last som ikke inngår på skiltet.

STATISKE OG DYNAMISKE TESTER

Statisk og dynamiske tester (maskindirektiv 2006/42/EC, vedlegg I, punkt 4.1.3) utføres på tilfeldige utvalgte prøver i hver produksjonsserie.

De statiske testene utføres ved å feste en last som er 1.25 ganger større enn maksimal kapasitet til balanseblokken, lasten følges til den når endeanslaget (når vaieren er helt ute) i 10 minutter (som det beskrives i DIN 15112:1979).

Den dynamiske testen utføres ved å kontrollere at balanseblokken fungerer som den skal (at vaieren strekkes ut og trekkes tilbake) i 1 time med en last som er 1.1 ganger maksimal last.

VALG FOR BALANSEBLOKKEN

Gjør en vurdering av den fullstendige lasten som skal utjevnes: verktøy, tilleggsutstyr og deler av kabler/slanger som skal holdes av balanseblokken. Den fulle lasten må befinne seg innenfor balanseblokkens kapasitetsgrenser.

KLARGJØRING AV BALANSEBLOKKEN

Gjør en vurdering av arbeidsområdets utstrekning. Installer balanseblokken på en tralle slik at den kan brukes korrekt hvis arbeidsområdet er av størrelse som krever dette.

Hvis det anvendes festeordninger med skruer under monteringen må det påses at det er anvendt låseskruer, splintbolter eller andre selvåsende festesystemer.

For å unngå unormal slitasje må lasten festes vertikalt. Balanseblokken må være fri slik at den kan bevege seg i sitt oppheng og kan reguleres i samme retning som lasten.

Balanseblokken må installeres på en struktur med passende mekanisk resistans. Den mekaniske resistansen til strukturen > 5*(Balanseblokkens vekt + MAKS. last).

Det er mulig å installere flere balanseblokker på en hovedstruktur dersom hver og én har et uavhengig feste og dersom strukturen har en mekanisk resistans som er 5 ganger større enn vekten til alle balanseblokkene og deres maksimale last.

Det er mulig å installere flere balanseblokker på en sekundær struktur (sikkerhetsvaier) dersom hver og én har et uavhengig feste og dersom strukturen har en mekanisk resistans 5 ganger større enn alle balanseblokkene med tilhørende maksimal vekt.

I fasen hvor balanseblokken settes ut i drift anbefaler en å følge prosedyren nedenfor:

- Installer balanseblokken til hovedstrukturen ved en krok for oppheng dersom denne finnes, eller hullet for feste.
- Kople sikkerhetsutstyret til den sekundær strukturen.
- Løft vekten som skal koples til balanseblokken.
- Koble til slangen (23) (Fig.2) til nippel (16) (Fig.2);
- Koble til trykkluft i slangenippelen (23) (Fig.2);
- Koble verktøyet til nippelen (21) (Fig.2-4)
- Senk lasten ved å rulle ut slangen til balanseblokken og reguler klemmen som begrense løpet for å unngå å løfte lasten over operatøren.
- Reguler effekten til balanseblokken helt til lasten som er tilkoppet er i likevekt. Roter i retningen som indikeres ved tegnet + for å øke effekten til balanseblokken. Roter i retningen indikert ved tegnet – for å redusere effekten til balanseblokken.

Det må sikres en belysning av arbeidsområdene som er tilstrekkelig for å garantere god sikt over virksomheten og alle elementene til utstyret, og å unngå soner med skygge og stroboskopiske effekter.



For balanseblokkene som ikke er utstyrt med en krok for oppheng, bør en plassere et feste som ikke blokkerer bevegelsene (svingning og rotasjon) som er nødvendig for at balanseblokken skal fungere på riktig måte.



Bruk sporet (A) (Fig.1) for hovedoppheng, og sporet (S) (Fig.1) for støtteoppheng.
Koble alltid på støtteoppheng (S) ved hjelp av det tilhørende tilleggsutstyret (Fig.1) til et oppheng av passende størrelse. Støtteoppheng SKAL IKKE anvendes som hovedoppheng (A) (Fig.1). Maksimalt fall hvis hovedoppheng skades skal ikke overstige 100 mm. La delen av kableen som er til overs stikke ut med minst 20 mm og stram gradvis og samtidig mutterne til klemmene 21215 (Fig.1) med et strammemoment på 2 Nm..

REGULERING AV BALANSEBLOKKEN

For at balanseblokken skal kunne belastes med høyere laster (innenfor kapasitetskravene) vris knott (4) som vist i (Fig.2) (mot klokkeretningen som anvist av tegnet "+"). Reguleringen er ikke løpende, men gradvis, for hvert hakk må knott (4) settes tilbake i kontakt med skiltet (5) (Fig.2). For lettere laster trekkes knotten (4) ut og vris rundt som vist i (Fig.3). Etter hvert hakk må knotten settes tilbake i kontakt med skiltet (5) (Fig.3).

Etter lastreguleringen må det påses at slangen kan vikle seg fritt langs hele sin lengde. Bevegelser skal ikke være begrenset av fjæren på noen måte. Kontroller ved diverse hastigheter.

MERK: dersom balanseblokkens evne til å tåle hengende last reduseres, kan dette bety at trommelfjæren holder på å gå. DU MÅ IKKE ENDRE REGULERINGEN AV BALANSEBLOKKEN FOR Å TÅLE LASTEN, MEN HELLER TA ØYEBLIKKELIG KONTAKT MED SPESIALISERT PERSONELL ANSVARLIG FOR VEDLIKEHOLD.

Bruk ikke regulatoren med maksimal last som er tyngre enn maksimal tillatt og balansert last.

BRUK AV BALANSEBLOKKEN

Ta tak i verktøyet som er festet til balanseblokken og utfør de ønskede operasjoner. Hold verktøyet i en balansert posisjon under balanseblokken og slipp verktøyet.

Slangen skal aldri kunne trekkes helt ut: arbeidslengden skal stanse 100 mm før den nedre grensen.

Hvis nødvendig kan man flytte og blokkere klemmen (18) (Fig.4) for å begrense tilbakeslaget.



Ikke koble fra lasten hvis klemmen (18) (Fig.4) ikke er i kontakt med slangen (POSISJON VISES I FIGUR 4).

- ikke etterlat verktøyet i annen posisjon enn vertikal;
- ikke kast verktøyet til en annen operatør;

- ikke flytt verktøyet ved å dra i vaieren;
- ikke kople på verktøy som befinner seg utenfor balanseblokkens kapasitetsgrenser;
- ikke kople på flere enn ett verktøy av gangen;



Den største faren ved bruk av balanseblokken er et ukontrollert tilbakeslag av slangen.

- 1 hvis slangen ikke trekkes tilbake i balanseblokken, må man IKKE utføre noen inngrep, men kontakte teknisk assistanse umiddelbart;
- 2 ta aldri av lasten hvis slangen ikke er fullstendig trukket tilbake i trommelen, unngå at slangen kommer i kontakt med enheten hvor vaieren passerer.
- 3 hvis slangen er helt trukket ut og det ikke finnes verktøy i festet må man IKKE utføre noen inngrep, men kontakte teknisk assistanse umiddelbart.
- 4 Ved bruk må slangen være rett og den må ikke komme i kontakt med tilbakeslag eller trinser eller eventuelle utvendige strukturer i nærheten av punktet for installasjon og bruk av balanseblokken.
- 5 Det er kun tillatt å bruke balanseblokken med vertikal slangen.
- 6 Reguleringen av banen til balanseblokken må være slik at det er mulig å garantere posisjonen til verktøyet ved en høyde lik eller lavere enn den til operatøren uavhengig av festepunktet til maskinen.
- 7 Ikke vri (mer enn 360°) slangen ved bruk, dersom lasten må rotere i forhold til balanseblokken, bør en bruke egnet utstyr.
- 8 Dersom balanseblokken har tilgjengelig en kommando for blokkering, må denne brukes dersom verktøyet som er påført ikke brukes (etter arbeidsskiftet).



Etter at enhetene som hindrer at lasten faller eller ukontrollert tilbaketrekking av vaieren er det nødvendig å utføre en revisjon av balanseblokken. Ta kontakt med egen forhandler for å få utført denne.
Når balanseblokken benyttes sammen med et elektrisk utstyr, se håndboken til dette utstyret for styring av eventuelle gjenværende risiko.
Ikke bruk balanseblokken ved å ta tak i den fra slangen, men ta tak i verktøyet som er tilkopleet.

SKIFTE AV LAST/SKIFTE AV VERKTØY

Før en skifter verktøy, er det nødvendig å rulle fullstendig opp slangen til balanseblokken uten å benytte enheten for regulering av løpet som system for blokkering.

Dersom det finnes system for blokkering er det mulig å fortsette på følgende måte:

- Støtt lasten på annen måte (ikke ved hjelp av slangen til balanseblokken).
- Kople lasten fra balanseblokken.
- Kople til den nye lasten, bring den i vertikal posisjon under balanseblokken med spent slangen.
- Reguler balanseblokken, dersom det er nødvendig, for å finne likevektspunktet til den nye lasten (ny last med en vekt som er forskjellig fra den forrige).



Ikke fjern deg fra balanseblokken, uansett grunn, dersom det ikke er kopleet til en last.

INSPEKSJON

Balanseblokken skal regelmessig være gjenstand for visuelle inspeksjoner (f.eks. én gang for hvert arbeidsskift). Særlig skal man kontrollere opphengene (A) og (S) (Fig.1a/b), i låseskruene og det automatiske blokkeringssystemet, og tilstanden til fester og kabelvaier.



For kontroll av vaieren henvises det til retningslinjene i normativ ISO 4309:2011 hva angår kriterier for skroting (bytte) av vaiere. (Noen eksempler se Fig.5).

- Se til at slangen beveger seg fritt uten merkelige lyder.
- Aldri bruk brennbare eller flyktige væsker i forbindelse med smøring av balanseblokken.
- Ikke ta av maskinskiilt og klistremerker Alle uleselige skiilt og klistremerker må byttes.
- Balanseblokken må inspiseres av spesialisert og autorisert personell minst en gang per år.

Ta kontakt med deres forhandler dersom balanseblokken ikke virker på normalt vis.

VEDLIKEHOLD

Vedlikehold skal utføres utelukkende av autorisert og spesialisert personell.

Bruk kun originale reservedeler fra INGERSOLL-RAND. For bestillinger av reservedeler bes kunden henvende seg til leverandøren av apparatet, eller direkte til fabrikanten ved å oppgi informasjonen som er gjengitt på maskinskiiltet.

Det skal aldri utføres inngrep på kabelslangen, og det er særlig viktig ikke å REDUSERE LENGDEN til slangen. Ved behov bes man kontakte egen forhandler eller ta direkte kontakt med produsenten.



Balanseblokken må aldri demonteres. Vedlikehold skal utføres utelukkende av autorisert og spesialisert personell.

GARANTI

Bruk av ikke originale reservedeler fra andre leverandører enn INGERSOLL-RAND vil ha negative effekter på sikkerhet og ytelse, og vil medføre bortfall av garantien.



Slangen og fjær dekkes ikke av garantien.

AVFALLSBEHANDLING

Gå fram på følgende måte når driftstiden til balanseblokken er over:

- Sveive slangen helt inn
- Kople lasten fra balanseblokken
- Kople balanseblokken fra hovedopphenget og fra sikkerhetsopphenget.
- Fortsett å lade ut balanserer våren.

Når balanseblokken er avlastet, er det mulig å avfallsbehandle den ved å følge normene som gjelder.



Balansblocket måste installeras innan det kan användas. Den här åtgärden måste utföras av experter, i enlighet med instruktionerna i denna manual:
EN FELAKTIG INSTALLATION KAN MEDFÖRA SKADA PÅ PERSONER ELLER SAKER.



Denna manual innehåller viktig information som du tillåter säker användning av utrustningen.
Försäkra dig att du har förstått alla instruktioner innan du använder balansblocket.
UNDERLÅTENHET ATT FÖLJA DESSA VARNINGAR KAN ORSAKA SKADA.

Balansblocket har utformats i enlighet med de relevanta Gemenskapsdirektiven som var tillämpliga vid tidpunkten för utsläpp på marknaden, som förutses för EG märkning av produkten.

AVSEDD ANVÄNDNING

Den avsedda användningen för ett balansblock är den att radera konstant vikt för ett redskap under en vertikal rörelse.

Balansblocket är endast till för manuell användning av en operatör åt gången.

Balansblocket är till för att användas inomhus vid en temperatur på mellan 5°C och 60°C.



Användning av balansblocket med temperaturer utanför dessa gränser kan medföra en för tidig försämring av balansblocket eller för vissa av dess komponenter.

För en bättre användning av balansblocket så rekommenderas det med en upphängning vid lastens tyngdpunkt.



Det är nödvändigt att använda, kontrollera och förvara balansblocket i perfekt skick, enlighet med alla standarder som avser balansblock, verktyg och arbetsplatser.



Balansblockets kapacitet från lägsta till högsta värde uttryckt i kg;



Längd på balansblockets vajer uttryckt i mm;



Balansblockets vikt i kg.

INGERSOLL-RAND är inte ansvarig vid annan användning än vad som återges ovan.

TEKNISKA SPECIFIKATIONER

Slangens inwendige diameter:	Ø 6 mm (9200/9201/9202)	Ø 8 mm (9203)
Maximalt tryck:	8 bar	8 bar
Maximal temperatur:	50 °C	50 °C
Kopplingar Inluft/frånluft:	G1/4	G3/8

FELAKTIG ANVÄNDNING

Tillåt inte minderåriga att använda balansblocket.

Arbeta inte, gå inte och uppehåll dig inte under balansblocket och dess last.

Inte lämpligt för användning vid miljöer med livsmedel eller medicin.

Inte lämpligt för användning utomhus eller miljöer med korrosiva kemikalier.

Med undantag av modellerna ATEX så är balansblocken inte lämpliga för att användas i explosionsfarlig miljö.

Använd inte laster som överskrider vad som återges på märkplåten.

STATISK OCH DYNAMISKA TESTER

Statiska och dynamiska tester (maskindirektiv 2006/42/EC, bilaga I, punkt 4.1.3) utförs genom att ta prover för varje produktionsbatch.

De statiska proven utförs genom att ansluta balansblocket till en last som är 1.25 tyngre än den maximala kapaciteten, låta den gå längs hela banan (med hela vajern ute) under 10 minuter (såsom återges i DIN 15112:1979).

Det dynamiska testet utförs genom att kontrollera en korrekt funktion av balansblocket (utdragning och indragning av vajern) under en timme med balansblocket lastat med en last på 1.1 gånger den maximala lasten.

VALET AV BALANSBLOCKET

Bedöm den totala belastningen att balansera: verktyg, tillbehör och delar av rör eller ledningar som stöds av balansblocket. Den totala belastningen att balansera måste vara mellan balansblockets lägsta och högsta kapacitet.

IDRIFTTAGNING AV BALANSBLOCKET

Utvärdera förlängning av arbetsytan och, om lämpligt, häng balansblocket på en vagn för att möjliggöra korrekt användning i ett område av lämplig storlek för arbetet som skall genomföras.

Om skruvfästen används för installationen, ska självläsande muttrar, stift eller andra säkerhetssystem användas.

För att förhindra onormal förslitning måste lasten appliceras vertikalt. Balansblocket skall vara fritt att förflytta sig i sin fjädring så att den kan linjeras med belastningens riktning.

Balansblocket skall installeras vid en struktur med lämpligt mekaniskt motstånd. Mekaniskt motstånd för strukturen > 5*(Balansblockets vikt + MAX. last).

Det är möjligt att installera fler balansblock till samma huvudstruktur men var och en måste ha en oberoende anslutning och strukturen måste ha ett mekaniskt motstånd som är 5 gånger vikten för alla balansblock och tillhörande maximala laster.

Det är möjligt att installera flera balansblock till samma sekundära struktur (säkerhetsvajer) men var och en måste ha en oberoende anslutning och strukturen måste ha ett mekaniskt motstånd som är 5 gånger vikten för alla balansblock och tillhörande maximala laster. Vid funktionstagningen så rekommenderas det att utföra följande procedur:

- Installera balansblocket till huvudstrukturen med hjälp av en krok om det finns eller fixeringshålen.
- Anslut säkerhetsutrustningen till den sekundära strukturen.
- Lyft lasten som skall anslutas till balansblocket.
- Anslut slangen (23) (Fig.2) till munstycket (16) (Fig.2);
- Anslut tryckluftsförsörjningen till slangens munstycke (23) (Fig.2);
- Anslut verktyget till munstycket (21) (Fig.2-4).
- Låt lasten sjunka genom att rulla ut balansblockets slang och reglera fästet för gränsläget för att förhindra att lasten hamnar ovanför operatören (bilden visar hur man utför regleringen).
- Reglera balansblockets kraft ända tills den anslutna lasten är balanserad. Vrid i riktningen som indikeras av tecknet + för att öka balansblockets kraft. Vrid i riktningen som indikeras av tecknet – för att minska balansblockets kraft.

Se till att det finns tillräckligt med belysning i arbetsområdet för att ge en god syn över allt arbete och alla enheter för utrustningen, se till att det inte finns några skuggområden, att man blir bländad och inga stroboskopeffekter.



För balansblock som inte är utrustade med upphängningskrok så är det nödvändigt att använda en fastsättning som inte hindrar rörelserna (oscillering och rotation) som är nödvändigt för en korrekt funktion av balansblocket.



Använd hålet (A) (Fig.1) för huvudupphängningen och hålet (S) för säkerhetsupphängningen (Fig.1). Anslut alltid säkerhetsupphängningen (S) med användning uteslutande av de medföljande tillbehören (Fig.1) för ett stöd av korrekta dimensioner. Säkerhetsupphängningen FÅR INTE VARA densamma som används för den huvudsakliga upphängningen (A) (Fig.1). Högsta fall vid brott på huvudupphängningen får inte överskrida 100 mm. Låt vajerns döda sektioner sticka ut minst 20 mm och dra gradvis åt muttrarna på plintarna 21215 (Fig. 1) och samtidigt med ett vridmoment på 2 Nm.

REGLERING AV BALANSBLOCKET

För att tillåta balansblocket att balansera större belastningar inom den tillåtna lastkapaciteten, vrid ratten (4), som visas i (Fig.2) (moturs, vilket identifieras med tecknet "+", justeringen är inte kontinuerlig, utan stegvis), efter varje steg ska ratten (4) gå tillbaka tills den är i kontakt med plåten (5) (Fig.2). För lättare laster dra ut ratten (4) och, håll den fast medan du roterar den medurs som visas i (Fig.3) efter varje steg ska ratten gå tillbaka tills den är i kontakt med plåten (5) (Fig.3).

Efter justeringen av belastningen se till att slangen kan glida fritt längs dess längd: rörelsen får inte begränsas av fjäderns totala omlindning. Kontrollera loppet flera gånger i olika hastigheter.

ANMÄRKNING: en reduktion av balansblockets kapacitet för att bära upphängd last kan innebära att cylinderns fjäder håller på att gå sönder. ÄNDRA INTE PÅ BALANSBLOCKETS REGLERING FÖR ATT BÄRA UPPHÄNGD LAST UTAN KONTAKT OMEDELBART EN FACKMAN FÖR ATT UTFÖRA UNDERHÅLLSARBETE.

Använd inte tyngre last än den maximalt tillåtna lasten och balansera med hjälp av regleraren.

VALET AV BALANSBLOCKET

Grip verktyget som är upphängt på balansblocket och utför procedurerna som krävs; följ sedan verktyget till dess balanserade läge på balansblockets vertikal och släpp det sedan.

Slangen får aldrig rullas ut fullständigt: arbetslaget måste avslutas minst 100 mm före slagets nedre gräns..

Om nödvändigt, flytta och lås klämman (18) (Fig.4) för att begränsa slaget uppåt.



Släpp inte lasten om klämman (18) (Fig.4) inte stöder mot slangens klammer (POSITION VISAS I FIGUR 4).

- lämna inte belastningen i en icke-vertikal ställning;
- kasta inte den hängande lasten mot en annan operatör;
- flytta inte lasten genom att dra i vajern;
- häng inte upp laster som inte är inom det tillåtna övre och nedre kapacitetsområdena;
- häng inte upp mer än ett verktyg på balansblocket.



Den största risken som förknippas med användningen av balansblocket består i en eventuellt okontrollerad återupprullning av slang.

- 1 Om, av någon anledning slang inte spolas tillbaka av balansblocket, ingrip INTE utan kontakta kundtjänst omedelbart;
- 2 haka aldrig av lasten om slang inte är helt upprullad på cylindern, gör så att slang inte kommer i kontakt med enheter längs banan,
- 3 om du skulle finna balansblocket med utrullad slang och utan belastning, ingrip INTE utan kontakta omedelbart kundtjänst.
- 4 Under användningen så skall inte slang vara rak och får inte komma i kontakt medremskivor eller eventuella externa strukturer belägna i närheten av platsen för installation och där balansblocket används
- 5 Det är endast tillåtet att använda balansblocket med slang vertikalt.
- 6 Reglering av balansblockets bana skall vara sådant att den garanterar positionen för utrustningen och på en höjd som är lika med eller mindre än operatörens oberoende av punkten där den fixerats till maskinen.
- 7 Böj inte slang (mer än 360°) under användningen, om lasten skall rotera jämfört med balansblocket så se till att använda lämpliga tillbehör.
- 8 Om balansblocket är utrustat med blockeringskommando så aktivera detta om man inte använder utrustningen som är fastsatt till denna (efter avslutat arbete).



Efter att utrustning ingripit för att förhindra fall av last eller vid okontrollerad återupprullning av vajern så är det nödvändigt med en översyn av balansblocket. Vänt er till Er återförsäljare för detta ändamål.
När balansblocket används med en elektrisk utrustning så hänvisar vi till manualen för den sistnämnda för att ta itu med eventuella kvarliggande risker.
Använd inte balansblocket genom att greppa slang utan greppa den avsedda haken eller utrustning som är fastsatt till denna.

BYTE AV LAST/BYTE AV UTRUSTNING

Innan man byter utrustning så är det nödvändigt att helt och hållet rulla upp balansblockets slang utan att använda regleringssystemet för banan som blockeringsssystem.

Om det finns blockeringsystem så är det även möjligt att fortsätta på följande sätt:

- Greppa lasten på annat sätt (inte genom balansblockets slang).
- Koppla bort lasten från balansblocket.
- Anslut lasten på nytt, ställ den i vertikal position under balansblocket med spänd slang.
- Reglera balansblocket om det är nödvändigt för att på nytt sätta lasten i balans (med ny last med annan vikt än tidigare).



Av inget skäl får man gå ifrån balansblocket om ingen last är ansluten.

INSPEKTION

Balansblocket ska regelbundet genomgå visuell kontroll (exempelvis en gång per skift), särskilt för att kontrollera tillståndet för upphängningarna (A) och (S) (Fig. 1a/b), fästskruvar och de självlåsande systemen (om de används), och tillståndet för krokarna och vajrar.



För kontrollen av vajrarna, vad beträffar kasseringskriterier (utbyte av vajern), hänvisas till kraven i ISO 4309:2011. (Några exempel, se Fig.5).

- Kontrollera att slang rörelse är smidig och inte avger onormala ljud;
- Smörj inte balansblocket med brandfarliga eller flyktiga vätskor.;
- Avlägsna inte några skyltar. Låt ersätta alla skadade skyltar;
- Åtminstone en gång om året ska balansblocket inspekteras av kvalificerad och auktoriserad personal.

Om balansblocket uppträder på ett felaktigt sätt så kontakta Er återförsäljare.

UNDERHÅLL

Underhåll kan utföras endast av utbildad och behörig personal.

Använd endast originalreservdelar INGERSOLL-RAND. För beställning av reservdelar, ombeds kunden att kontakta leverantören av enheten eller tillverkaren direkt, med uppgift om de identifieringsdata som anges på maskinens skylten.

Utför inte några modifieringar på slang, i synnerhet KORTA INTE av slang: vid behov så kontakta Er återförsäljare eller tillverkaren direkt.



Montera aldrig ner balansblocket. Underhåll får utföras endast av utbildad och behörig personal.

GARANTI

Användning av icke-ursprungliga reservdelar från INGERSOLL-RAND påverkar säkerhet, prestanda och kommer att ogiltigförklara garantin.



Vajern och cylinderns fjäder omfattas inte av garantin.

SKROTNING

När balansblocket inte längre är operativt så fortsätt på följande sätt:

- Rulla upp slang helt och hållet.
- Koppla bort lasten från balansblocket
- Koppla bort balansblocket från den primära och säkerhets.-upphängningen.
- Fortsätt att helt fullgöra balansfjädern.

När man avlastat balansblocket så är det möjligt att skrota detta genom att följa alla gällande lagar.



Balanceblokken skal installeres inden den tages i brug. Selve installationen skal finde sted i overensstemmelse med instruktionerne i denne vejledning og skal udføres af specialuddannet personale:
FORKERT INSTALLATION KAN MEDFØRE PERSONSKADER OG/ELLER BESKADIGELSE AF GENSTANDE.



Denne vejledning indeholder vigtige oplysninger der giver mulighed for at bruge apparatet under sikre forhold. Sørg for at have forstået hele vejledningen, inden balanceblokken tages i anvendelse.
MANGLENDE OVERHOLDELSE AF DISSE ADVARSLER KAN MEDFØRE LÆSIONER.

Balanceblokken er fremstillet i overensstemmelse med de relevante EU-direktiver, der var i kraft på det tidspunkt, hvor balanceblokken blev indført på markedet, som kræver CE-mærkning af produktet.

BEREGNET BRUG

Balanceblokken har til opgave at fjerne den konstante vægt af et stykke værktøj under en lodret bevægelse.

Balanceblokken er kun beregnet til manuel brug og må udelukkende anvendes af én operatør ad gangen.

Balanceblokken er beregnet til brug i lukkede omgivelser ved en temperatur på mellem 5°C og 60°C.



Brug af balanceren ved temperaturer uden for dette område kan føre til for tidlig forringelse af balanceren eller nogle af dens komponenter.

Man bør sørge for, at læsset er ophængt ved tyngdepunktet, med henblik på optimal brug af balanceblokken.



Anvendelse af balanceblokken ved temperaturer udenfor dette interval kan medføre for tidlig opslidning af blokken eller af de tilhørende komponenter.

Man bør sørge for, at læsset er ophængt ved tyngdepunktet, med henblik på optimal brug af balanceblokken.



Balanceblokken skal anvendes, kontrolleres og opbevares i en perfekt effektiv tilstand, i overensstemmelse med alle standarder for balanceblokke, værktøj og arbejdspladser.



Balanceblokkens bæreevne fra min. værdi til max. værdi, udtrykt i kg;



Længde på balanceblokkens wire, udtrykt i mm;



Balanceblokkens vægt i kg.

INGERSOLL-RAND kan ikke drages til ansvar for brug der afviger fra ovenstående angivelser.

TEKNISKE SPECIFIKATIONER

Intern slangediameter: Ø 6 mm (9200/9201/9202) Ø 8 mm (9203)

Max tryk i slange: 8 bar 8 bar

Max temperatur på luft i slangen: 50°C 50°C

Fæstninger til indgang/udgang af luft: G1/4 G3/8

FORKERT BRUG

Balanceblokken må aldrig anvendes af mindreårige.

Det er forbudt at arbejde, gå eller opholde sig under balanceblokken og lasten.

Ikke egnet til brug i fødevarer- eller medicinalindustrien.

Ikke egnet til brug udendørs eller i omgivelser med tilstedeværelse af ætsende kemikalier.

Balanceblokkene er ikke egnede til brug i omgivelser med eksplosionsfare, undtagen ATEX-modellerne.

Balanceblokkene må ikke anvendes med last der overskrider angivelserne på typeskiltet.

STATISKE OG DYNAMISKE PRØVER

Statiske og dynamiske prøver (maskindirektiv 2006/42/EC, bilag I, punkt 4.1.3) udføres på udvalgte prøver fra hvert produktionsparti.

De statiske prøver udføres ved at forbinde balanceblokken til en last, der er 1,25 gange større end max. bæreevne, som ledsages til endestoppet (wire helt ude) i 10 minutter (som anført i DIN 15112:1979).

Den dynamiske prøve sker ved at undersøge korrekt funktion af balanceblokken (udtrækning og tilbagetrækning af wire) i et tidsrum på en time med balanceblokken læsset med 1,1 gange max. bæreevne.

VALG AF BALANCEBLOK

Vurder den samlede last, der skal sættes i balance: værktøj, tilbehør og dele af slanger eller wirer båret af balanceblokken. Den samlede last, der skal sættes i balance, skal være mellem balanceblokkens min. og max. bæreevne.

DRIFTSÆTTELSE AF BALANCEBLOKKEN

Vurder arbejdsområdets udstrækning og hæng ved behov balanceblokken på en rulleføring med henblik på korrekt brug i et område, der har en passende vidde i forhold til den aktivitet der skal udføres.

Hvis der anvendes fastgøringsanordninger med skruer til installationen, skal man anvende selvvlåsende møtrikker, splitter eller andre sikkerhedssystemer.

Lasten skal anbringes lodret, for at undgå unormalt slid. Balanceblokken skal have mulighed for at bevæge sig i sit ophæng, så den kan indreguleres med lastens retning.

Balanceblokken skal installeres på en opbygning med passende mekanisk modstandsdygtighed. Opbygningens mekaniske modstandsdygtighed $> 5 \cdot (\text{Balanceblokkens vægt} + \text{MAX. last})$.

Det er muligt at installere flere balanceblokke på samme hovedopbygning, blot hver blok har et uafhængigt fastgøringspunkt og opbygningen har en mekanisk modstandsdygtighed, der er 5 gange større end vægten på alle balanceblokke og deres tilhørende maksimale last.

Det er muligt at installere flere balanceblokke på samme sekundære opbygning (sikkerhedswire), blot hver blok har et uafhængigt fastgøringspunkt og opbygningen har en mekanisk modstandsdygtighed, der er 5 gange større end vægten på alle balanceblokke og deres tilhørende maksimale last.

Følg venligst nedenstående fremgangsmåde, når balanceblokken skal sættes i funktion:

- Installer balanceblokken på hovedopbygningen vha. ophængskrogen, hvis til stede, eller vha. fastgøringshullet.
- Forbind sikkerhedsanordningen til den sekundære opbygning.
- Løft lasten, der skal forbindes til balanceblokken.
- Forbind slangen (23) (Fig.2) til niplen (16) (Fig.2);
- Forbind forsyningen af trykluft til niplen på slangen (23) (Fig.2);
- Forbind værktøjet til niplen (21) (Fig. 2-4).
- Før lasten ned, så balanceblokkens slange rulles ud, og reguler endestoppets klemme, så lasten ikke bringes op over operatøren (illustrationer til korrekt afvikling af reguleringen).
- Reguler balanceblokkens kraft, så den pågældende last kommer i balance. Drej i retningen angivet med tegnet + for at øge balanceblokkens kraft. Drej i retningen angivet med tegnet – for at sænke balanceblokkens kraft.

Arbejdsområdet skal være tilstrækkeligt belyst, for at give mulighed for at have et godt overblik over alle elementer på udstyret, og undgå skyygeområder, blænding og stroboskopiske effekter.



På balanceblokke uden ophængskrog vil det være hensigtsmæssigt at forberede et fastgøringspunkt, der ikke blokerer de bevægelser (svingning og rotation) som kræves for korrekt funktion af balanceblokken.



Benyt hullet (A) (Fig.1) til hovedophænget og hullet (S) (Fig.1) til sikkerhedsophænget. Forbind altid sikkerhedsophænget (S) til en støtte med passende dimensioner, udelukkende vha. det medleverede tilbehør (Fig.1). Sikkerhedsstøtten MÅ IKKE VÆRE den samme støtte, der anvendes til hovedophænget (A) (Fig. 1). Max. fald i tilfælde af brud på hovedophænget må ikke overskride 100 mm. Lad de strækninger af wiren, der ikke er i spænding, komme ud i et omfang af mindst 20 mm ud og stram møtrikkerne på klemmerne 21215 (Fig.1) samtidigt og gradvist med et moment på 2 Nm.

REGULERING AF BALANCEBLOKKEN

For at give balanceblokken mulighed for at bringe tungere laster i balance indenfor den tilladte lasteevne, skal man dreje det runde håndtag (4), som vist på (Fig.2) (mod uret, angivet med tegnet "+"); reguleringen sker ikke vedvarende, men foregår i ryk; efter hvert ryk skal det runde håndtag (4) føres tilbage i kontakt med pladen (5) (Fig.2). Ved lettere laster skal man trække det runde håndtag (4) ud, holde godt fat i håndtaget, og dreje det, som vist i (Fig.3): efter hvert ryk skal det runde håndtag føres tilbage i kontakt med pladen (5) (Fig.3).

Efter at lasten er blevet reguleret, skal man undersøge, at slangen kan løbe frit i hele sin længde: bevægelsen må ikke være begrænset af fuld oprulning af fjederen. Undersøg vandringsen ved forskellige hastigheder og af flere omgange.

BEMÆRK: hvis balanceblokkens evne til at bære lasten reduceres, kan dette være tegn på, at tromlens fjeder er ved at være ødelagt. **BALANCEBLOKKENS REGULERING MÅ IKKE ÆNDRES, FOR AT KUNNE UNDERSTØTTE LASTEN ALLIGEVEL; TILKALD STRAKS SPECIALUDDANNET PERSONALE DER ER AUTORISERET TIL AT UDFØRE VEDLIGEHOLDELSE.**

Balanceblokken må ikke benyttes med en max. last der overskrider den max. tilladte last, som afbalanceres vha. regulatoren.

BRUG AF BALANCEBLOKKEN

Tag fat i værktøjet der hænger på balanceblokken og udfør de krævede handlinger: ledsag derefter værktøjet til en position i balance på balanceblokkens lodrette linje og slip det.

Slangen må aldrig rulles helt ud: arbejdsvandringsen skal afsluttes mindst 100 mm før vandringsens nederste grænse.

Ved behov skal man flytte og blokere klemmen (18) (Fig.4) for at begrænse vandringsen i opadgående retning.



Lasten må ikke fjernes, medmindre klemmen (18) (Fig.4) støtter på slangens klamme (DENNE POSITION KAN SES PÅ FIGUR 4).

- efterlad aldrig lasten i en position der ikke er lodret;
- kast aldrig den ophængte last imod en anden operatør;
- flyt ikke lasten ved at trække i balanceblokkens wire;
- påhæng aldrig last der ikke er indenfor de øverste og de nederste grænser for den tilladte bæreevne;
- hæng aldrig flere end et stykke værktøj i balanceblokken.

⚠ Den største risiko forbundet med brug af balanceblokken er afledt af en eventuel ukontrolleret genoprulning af slangen.

- 1 hvis slangen af en hvilken som helst årsag ikke genoprulles af balanceblokken, må man IKKE foretage nogen indgreb; man skal derimod straks kontakte kundeservicen;
- 2 aftag aldrig lasten, hvis slangen ikke er rullet helt op i tromlen; undgå at slangen kommer i kontakt med slangeføringen;
- 3 hvis man finder balanceblokken med afrullet slange og ingen last er påhængt, må man IKKE foretage nogen indgreb; kontakt straks kundeservicen.
- 4 Under brug skal slangen være lige og må ikke være i kontakt med returløb, remskiver eller eventuelle andre eksterne strukturer i nærheden af det sted, hvor balanceblokken er installeret og anvendes.
- 5 Balanceblokken må udelukkende anvendes med slangen i lodret position.
- 6 Regulering af balanceblokkens vandring skal ske på en måde, så værktøjets position sikres i en højde lig med eller lavere end operatørens højde, uafhængigt af maskinens fastgøringspunkt.
- 7 Slangen må ikke vrides (mere end 360°) under brug; benyt egnet tilbehør, hvis lasten skal dreje i forhold til balanceblokken.
- 8 Hvis balanceblokken er udstyret med en blokeringsanordning, skal denne aktiveres, hvis det påhængte værktøj ikke benyttes (afslutning af arbejdsturnus).

**⚠ Balanceblokken skal undersøges efter indgreb af anordningerne til forebyggelse af nedfald af lasten eller ukontrolleret tilbagegang af wiren. Kontakt forhandleren i denne henseende.
Når balanceblokken anvendes med et elektrisk værktøj, skal man læse vejledningen til det pågældende værktøj med henblik på forebyggelse af eventuelle resterende farer.
Balanceblokken må ikke benyttes ved at tage fat i slangen; tag fat i det tilsluttede værktøj.**

UDSKIFTNING AF LAST/SKIFT AF VÆRKTØJ

Inden værktøjet skiftes, skal balanceblokkens slange rulles helt op, uden at reguleringsanordningen til vandringsen benyttes til blokering. Hvis der findes blokeringsanordninger, kan følgende fremgangsmåde også anvendes:

- Understøt lasten på en anden måde (ikke vha. balanceblokkens slange).
- Fjern forbindelsen af balanceblokkens last.
- Forbind den nye last, bring lasten i lodret position under balanceblokken med slangen i spænding.
- Regulér ved behov balanceblokken for at sætte den nye last i balance (ny last med vægt der afviger fra den foregående).

⚠ Gå aldrig væk fra balanceblokken af nogen årsag, hvis balanceblokken ikke er forbundet til en last.

INSPEKTION

Balanceblokken skal efterses med jævne mellemrum (for eksempel en gang for hver arbejdsturnus), specielt for at undersøge tilstanden af ophængene (A) og (S) (Fig.1), af fastgøringskruerne og af de selvslående systemer (hvis de anvendes), samt tilstanden af slangen og de pneumatiske samlinger.

- Kontroller at slangens bevægelse er blød og uden unormal støj;
- Smør aldrig balanceblokken med antændelige eller flygtige væsker;
- Fjern aldrig nogen af skiltene. Udskift ethvert ødelagt skilt;
- Balanceblokken skal undersøges mindst en gang om året af specialuddannet, autoriseret personale.

Kontakt forhandleren i tilfælde af unormal funktion af balanceblokken.

VEDLIGEHOOLDELSE

Vedligeholdelse må udelukkende udføres af specialuddannet og autoriseret personale.

Benyt udelukkende originale reservedele fra INGERSOLL-RAND. Kunden skal henvende sig til leverandøren af apparatet eller direkte til fabrikanten ved bestilling af reservedele; angiv maskinens identifikationsdata der findes på skiltet.

Foretag aldrig nogen ændringer på slange-enheden; specielt må man ALDRIG AFKORTE slangen: ved behov kan man rådføre sig med egen leverandør eller direkte med fabrikanten.

⚠ Balanceblokken må aldrig skilles ad. Vedligeholdelse må udelukkende udføres af specialuddannet og autoriseret personale.

GARANTI

Brug af reservedele der ikke er originale fra INGERSOLL-RAND vil få negativ indflydelse på sikkerheden, præstationsevnen og vil under alle omstændigheder medføre, at garantien bortfalder.



Slangen og tromlens fjeder er ikke dækket af garanti.

BORTSKAFFELSE

Følg venligst nedenstående fremgangsmåde ved afslutning af balanceblokkens funktionsdygtige levetid:

- Rul slangen helt op.
- Fjern lasten fra balanceblokken
- Fjern balanceblokken fra hoved- og sikkerhedsophængene.
- Udløs balanceblokkens fjeder helt.

Når balanceblokken er helt udløst, kan blokken skrottes i overensstemmelse med den gældende lovgivning.

РУС



Перед началом эксплуатации балансира необходимо произвести его установку/монтаж. Данная процедура должна быть выполнена квалифицированным персоналом при строгом соблюдении указаний, изложенных в настоящем руководстве: **НЕПРАВИЛЬНАЯ УСТАНОВКА МОЖЕТ ПРИВЕСТИ К ТРАВМИРОВАНИЮ ПЕРСОНАЛА / ПОВРЕЖДЕНИЮ ИМУЩЕСТВА.**



Данное руководство содержит важную информацию по безопасной эксплуатации балансира. Перед началом эксплуатации балансира убедитесь, что Вы внимательно ознакомились со всеми инструкциями. **НЕСОБЛЮЖДЕНИЕ ПРЕДПИСЫВАЕМЫХ ЗДЕСЬ ПРАВИЛ ЭКСПЛУАТАЦИИ МОЖЕТ ПРИВЕСТИ К НЕСЧАСТНОМУ СЛУЧАЮ.**

Данный балансир изготовлен в соответствии с директивами Европейского Сообщества, действовавшими на момент выпуска балансира на рынок, и отмечен маркировкой CE.

ЦЕЛЕВОЕ НАЗНАЧЕНИЕ

Балансир предназначен для создания противовеса рабочему инструменту при вертикальном движении.

Балансир предназначен для эксплуатации вручную исключительно одним оператором в рамках одного рабочего сеанса.

Балансир предназначен для эксплуатации в помещении при температуре от 5 °C до 60 °C.



Использование балансира при температурах за пределами этого диапазона может привести к преждевременному износу балансира или некоторых его компонентов.

Чтобы добиться наилучших эксплуатационных характеристик, груз рекомендуется подвешивать относительно положения его центра тяжести.



Эксплуатировать балансир, проверять и поддерживать его в рабочем состоянии надлежит в соответствии с требованиями в отношении подобных механизмов, инструментов и рабочего места.



Диапазон грузоподъемности балансира (от минимального до максимального значения), выраженный в килограммах (кг);



Длина троса балансира, выраженная в миллиметрах (мм);



Масса балансира в килограммах (кг).

Фирма «INGERSOLL-RAND» не несет ответственности за любое иное использование балансиров помимо тех, которые описаны выше.

ТЕХНИЧЕСКИЕ ХАРАКТЕРИСТИКИ

Внутренний диаметр трубы:	Ø 6 mm (9200/9201/9202)	Ø 8 mm (9203)
Максимальное давление в трубе:	8 bar	8 bar
Максимальная температура воздуха в трубе:	50°C	50°C
Присоединительные размеры подвод/отвод воздуха:	G1/4	G3/8

ПРАВИЛА ТЕХНИКИ БЕЗОПАСНОСТИ

Не допускайте к работе с балансиром детей и несовершеннолетних.

Не работайте под балансиром, не проходите и не задерживайтесь под ним.

Не используйте балансир в непосредственной близости от пищевых продуктов и медицинских препаратов.

Не используйте балансир вне помещения или в среде, содержащей коррозионно-активные химикаты.

За исключением моделей АТЕХ, балансиры не подходят для использования в потенциально взрывоопасной среде.

Не используйте балансир с нагрузками, превышающими те, которые указаны на его табличке с техническими характеристиками.

СТАТИЧЕСКИЕ И ДИНАМИЧЕСКИЕ ИСПЫТАНИЯ

Статические и динамические испытания образцов (Директива по машиностроению 2006/42/ЕС, Приложение I, раздел 4.1.3) выполняются для каждой производственной партии.

Статические испытания выполняются путем применения к балансиром нагрузки, в 1,25 раза превышающей максимально допустимую, и последующего сопровождения груза до конца троса (трос должен размотаться до конца) в течение 10 минут (как указано в стандарте DIN 15112:1979).

Динамические испытания выполняются путем контроля правильности функционирования балансира (ход и перемотка троса) в течение 1 часа с применением к балансиром нагрузки, в 1,1 раза превышающей максимально допустимую.

ВЫБОР БАЛАНСИРА

Оцените полную нагрузку, которую предстоит уравновесить с помощью балансира, а именно: массу инструмента, приспособлений и оснастки, а также поддерживаемых балансиром частей труб и кабелей. Суммарная величина нагрузки, с которой предстоит работать балансиром, должна находиться в пределах между минимальным и максимальным значениями грузоподъемности выбранного механизма.

ВВОД БАЛАНСИРА В ЭКСПЛУАТАЦИЮ

Оцените параметры рабочей зоны и, при необходимости, установите балансир на роликовой направляющей, чтобы его можно было надлежащим образом использовать в зоне, достаточно обширной для выполнения необходимых действий.

Если для подвешивания балансира используются винтовые крепежные устройства, то необходимо применять самоконтрающиеся гайки, шпильки или другие самоблокирующиеся системы для обеспечения безопасности.

Максимальный срок службы балансира обеспечивается в том случае, когда он работает в вертикальном положении. Балансир должен иметь возможность свободно перемещаться и выравниваться под действием нагрузки.

Балансир должен быть установлен на конструкции с достаточной механической прочностью. Механическая прочность конструкции > 5* (вес балансира + максимальная нагрузка).

Допускается установка более одного балансира на одной и той же основной конструкции только в том случае, если каждый балансир оснащен отдельной точкой присоединения, а механическая прочность конструкции в пять (5) раз превышает вес всех балансиров с учетом всех максимальных нагрузок.

Допускается установка более одного балансира на одной и той же вспомогательной конструкции (например, на страховочном тросе) только в том случае, если каждый балансир оснащен отдельной точкой присоединения, а механическая прочность конструкции в пять (5) раз превышает вес всех балансиров с учетом всех максимальных нагрузок.

Для ввода балансира в эксплуатацию рекомендуется следующий порядок действий:

- Закрепите балансир на основной конструкции с помощью подвешного крюка (если таковой имеется) или крепежного отверстия.
- Закрепите страховочное приспособление на вспомогательной конструкции.
- Поднимите груз, который балансиру предстоит уравновесить.
- Подвесьте груз на балансир с помощью соответствующего крюка с карабинной защелкой.
- Опустите груз, размотав трос балансира, и отрегулируйте зажим ограничителя хода во избежание подъема груза над оператором.
- Отрегулируйте грузоподъемность балансира, пока груз не будет уравновешен. Вращение в направлении символа «+» увеличивает грузоподъемность балансира. Вращение в направлении символа «-» уменьшает грузоподъемность балансира.

В случае установки балансира на высоте используйте специальные удлинители (тросы), чтобы поднимать груз до необходимой рабочей точки (груз не должен находиться выше оператора).

Убедитесь, что рабочая зона освещена достаточно, чтобы обеспечить надлежащий обзор рабочих операций и всего оборудования. Убедитесь также в отсутствии затемненных областей, источников слепящего света и стробоскопического эффекта.



Если балансир не оснащен подвесным крюком, убедитесь, что он закреплен на основной конструкции таким образом, чтобы не блокировать движения (колебания и вращения), являющиеся крайне важными для правильного функционирования самого балансира.



Используйте отверстие (А) для основного подвеса балансира и отверстие (S) для страховочного подвеса (Рис. 1). Устройство (S) для страховочного подвеса балансира всегда следует закреплять к кронштейну/консоли правильно выбранных размеров, используя только стандартные крепежные приспособления (Рис. 1), которые входят в комплект поставки изделия.
 Страховочный подвес НЕ ДОЛЖЕН БЫТЬ закреплен на один и тот же кронштейн/консоль, что и основной подвес балансира (А) (Рис. 1). На случай поломки основного подвеса необходимо оставить дополнительный запас хода троса не более 100 мм. Извлеките ненапряженные части троса не менее чем на 20 мм и затяните гайки зажимов 21215 (рис. 1) постепенно и одновременно с крутящим моментом 2 нм.

РЕГУЛИРОВКА БАЛАНСИРА

Для увеличения грузоподъемности в пределах допустимой, необходимо вращать втулку (4), как изображено на (Рис.2), против часовой стрелки в сторону, обозначенную символом «+». Регулировка не плавная, а ступенчатая с щелчками. После каждого щелчка втулка (4) должна вернуться в положение контакта с пластиной (5) (Рис.2). Для уменьшения грузоподъемности при работе с более легкими грузами необходимо вытянуть втулку (4), и крепко удерживая её, повернуть её по часовой стрелке как изображено на (Рис.3). После каждого щелчка втулка должна вернуться в положение контакта с пластиной (5) (Рис.3).

После регулировки грузоподъемности необходимо убедиться в том, что обеспечена возможность свободного перемещения троса по всей его длине; а также при полностью смотанном тросе функционирование балансира не нарушается.

ПРИМЕЧАНИЕ: снижение способности балансира удерживать подвешенный груз может означать, что пружина барабана может вскоре сломаться. НЕ МЕНЯЙТЕ НАСТРОЙКИ БАЛАНСИРА ДЛЯ УДЕРЖАНИЯ ГРУЗА ЛЮБЫМ СПОСОБОМ, А ОБРАТИТЕСЬ ЗА ПОМОЩЬЮ К КВАЛИФИЦИРОВАННОМУ ПЕРСОНАЛУ, ИМЕЮЩЕМУ ДОПУСК К ТЕХНИЧЕСКОМУ ОБСЛУЖИВАНИЮ МЕХАНИЗМА.

Не подвешивайте на балансир груз, превышающий максимально допустимую нагрузку, пытайтесь уравновесить его с помощью регулятора.

ЭКСПЛУАТАЦИЯ БАЛАНСИРА

Возьмите инструмент, подвешенный на балансир, и выполните необходимые операции. Затем плавно и вдоль вертикальной линии троса балансира переместите его до позиции равновесия, после чего отпустите.

Во время работы нельзя допускать полного разматывания троса. Разматывание должно блокироваться не менее чем за 100 мм до нижнего предела хода.

При необходимости переместите и заблокируйте зажим (18) (Рис. 4), чтобы ограничить ход троса вверх.




Не снимайте груз с крюка, если зажим (18) (Рис. 4) не упирается в обжимный наконечник троса (ПОЛОЖЕНИЕ ПОКАЗАНО НА РИС. 4).

- Не отпускайте груз не в вертикальном положении;
- Не толкайте подвешенный груз, чтобы передать его другому оператору;
- Не тяните за трос балансира с целью перемещения груза;
- Не эксплуатируйте балансир с большей или меньшей нагрузкой допустимой грузоподъемности;
- Не подвешивайте более одного инструмента на балансир.

 **Наибольший риск, связанный с использованием балансира, заключается в неконтролируемой перемотке троса.**

- 1 Если по какой-либо причине балансир не перемотал трос, НЕ пытайтесь самостоятельно устранить неисправность, а сразу обратитесь в сервисную службу;
- 2 Ни в коем случае не снимайте груз с крюка, если трос намотан на барабан не полностью и амортизатор не соприкасается с направляющей троса.
- 3 Если вы обнаружите, что трос балансира полностью размотан, и груз при этом не подвешен, НЕ пытайтесь самостоятельно устранить неисправность, а сразу обратитесь в сервисную службу;
- 4 В процессе эксплуатации трос должен быть прямым и его рабочей траектории не должны препятствовать шкивы или внешние конструкции, находящиеся вблизи зоны установки и эксплуатации балансира.
- 5 Использование балансира допускается исключительно при вертикальном положении его троса.
- 6 Регулировка хода балансира должна быть выполнена таким образом, чтобы обеспечить фиксацию положения инструмента на высоте, равной высоте оператора, или ниже - вне зависимости от места установки балансира.
- 7 Не допускайте перекручивания (более 360°) троса во время использования балансира. В случаях, когда приходится выполнять операции, требующие непрерывного вращения груза, рекомендуется применять специальный поворотный механизм.
- 8 Если балансир снабжен блокирующим устройством, задействуйте его в ситуациях, когда подвешенный на балансир инструмент не используется (конец рабочей смены).

 После срабатывания устройства, предотвращающего падение груза или неконтролируемую перемотку троса, необходимо проверить балансир. Для этого обратитесь к вашему торговому представителю. Если балансир используется с электрическим инструментом, обратитесь к руководству пользователя электрического инструмента для управления возможными остаточными рисками. Не используйте балансир, удерживая его за трос; удерживайте его исключительно за крюк с карабином или подвешенный инструмент.

ИЗМЕНЕНИЕ НАГРУЗКИ / ЗАМЕНА ИНСТРУМЕНТА

Прежде чем приступить к замене инструмента, необходимо полностью перемотать трос балансира, не используя устройство регулировки хода в качестве блокирующего устройства.

Если балансир снабжен блокирующим устройством, можно также выполнить следующие действия:

- Удерживайте груз другим способом (не с помощью троса балансира).
- Снимите груз с крюка балансира.
- Зацепите крюком новый груз; приведите его в вертикальное положение под балансиром с натянутым тросом.
- При необходимости отрегулируйте балансир, чтобы уравновесить новый груз (если новый груз отличается от предыдущего по весу).

 **Не оставляйте балансир без присмотра, если груз не подвешен на крюк.**

ПРОВЕРКА

Правила эксплуатации балансира предписывают проведение периодического контроля (например, раз в рабочую смену) состояния верхних устройств для подвески (A) и (S) (Рис. 1), крепежных винтов, самоблокирующихся устройств (если таковые используются), а также состояние крюков и троса.

- убедитесь в том, что трос движется плавно и не издает аномальных звуков при движении;
- не допускается применение для сазки балансиров огнеопасных или летучих жидкостей;
- не следует снимать нанесенные на механизм ярлыки и наклейки. Поврежденные наклейки необходимо заменять.
- по меньшей мере раз в год балансир должен проверяться квалифицированным персоналом, имеющим допуск к техническому обслуживанию механизма.


При любых отклонениях в работе балансира свяжитесь с вашим торговым представителем.

ТЕХНИЧЕСКОЕ ОБСЛУЖИВАНИЕ

Техническое обслуживание следует поручать только квалифицированному персоналу, который обладает соответствующим допуском.

Используйте только те запасные части, которые выпускаются фирмой «**INGERSOLL-RAND**». Для заказа запасных частей, пожалуйста, свяжитесь с поставщиком балансиров или напрямую с производителем и укажите идентификационные данные вашего балансира, приведенные на его табличке с техническими характеристиками.

Не пытайтесь самостоятельно вносить какие-либо изменения в блок троса. НЕ ПЫТАЙТЕСЬ УКРОТИТЬ ТРОС. В случае необходимости, пожалуйста, свяжитесь с поставщиком или напрямую с производителем.

 **Не допускается самостоятельно производить разборку балансира. Техническое обслуживание следует поручать только квалифицированному персоналу, который обладает соответствующим допуском.**

ГАРАНТИЙНЫЕ ОБЯЗАТЕЛЬСТВА

Использование каких бы то ни было иных запасных частей, за исключением оригинальных, то есть выпускаемых фирмой «INGER-SOLL-RAND», может создавать угрозу безопасности, ухудшать эксплуатационные характеристики, усложнять уход за механизмом.



Гарантия не распространяется на трубу и пружину барабана.

УТИЛИЗАЦИЯ

По истечении срока службы балансира выполните следующие действия:

- Полностью смотайте трос.
- Снимите груз с крюка балансира.
- Отсоедините основное и страховочное крепления и снимите балансир с кронштейна/консоли.
- Полностью разгрузите пружину барабана.

После разгрузки балансира его следует подвергнуть утилизации в полном соответствии с действующим законодательством.

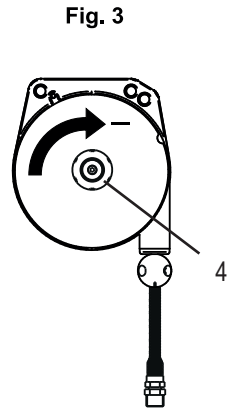
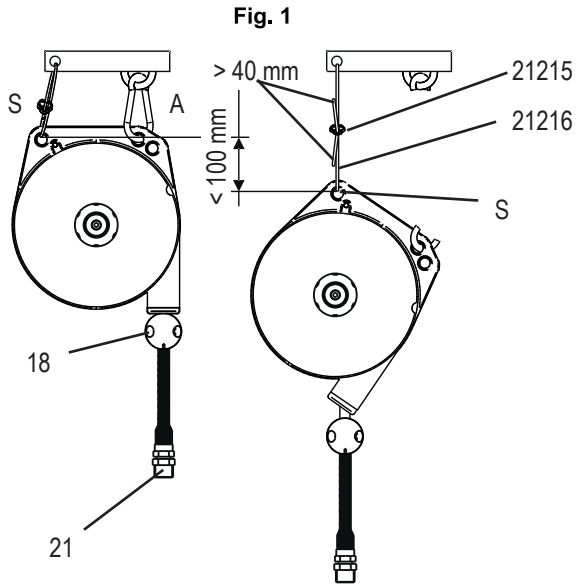


Fig. 4

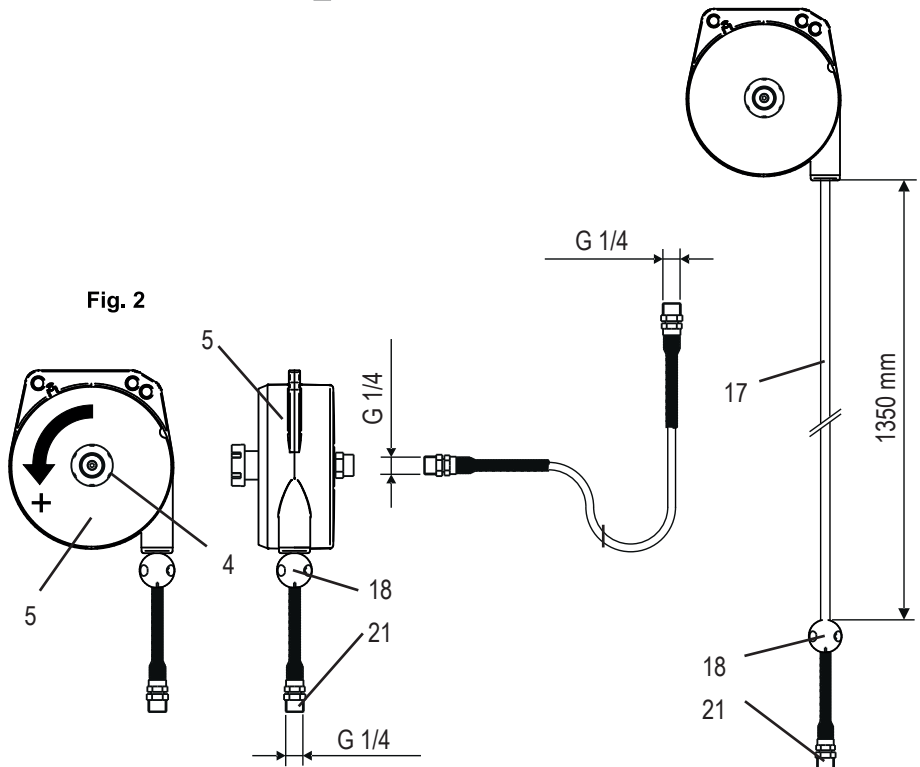




Table 1. Declaration of Conformity Requirement

1	Date of Issue	August 2023
2	Manufacturer Name and Address	Ingersoll Rand Services Ltd. / Leach PI, Preston PR5 8AS
3	Object of Declaration	Tecna Balancer (models) BHR8, BHR15 and BHR25 Serial Number Range:0000001-->9999999
4	Directive(s) Conformity	Supply of Machinery (Safety) Regulations 2008
5	Standard(s) Compliance	DIN 15112:1979
6	Tech File Author Name (UK) Title/Position	Dean Anderson Services Leader, EMEA 
7	Declaration Author Name Title/Position	Rohit Gupta Engineering Leader - Pneumatic, ILE & ESS, Engineering 

EN - This declaration is issued on this day [1] under the sole responsibility of the manufacturer [2]. The object of the declaration [3 Model/Serial Number Range] is in conformity with the provisions of the directive(s) [4] as shown by compliance with the harmonized standard(s) [5]. The technical documentation, available at the above address [2], is compiled by [6] and this declaration is approved by [7].

BG - Тази декларация се издава на този ден [1] под единствената отговорност на производителя [2]. Предметът на декларацията [3 Модел/Серийни номера от до] е в съответствие с разпоредбите на директива(и) [4], както е показано чрез съответствие с хармонизираните(те) стандарт(и) [5]. Техническата документация, налична на адреса по-горе [2], е съставена от [6] и тази декларация е одобрена от [7].

CS - Toto prohlášení je vystaveno dne [1] na výhradní zodpovědnost výrobce [2]. Předmět prohlášení [3 Model/Výrobní číslo] je ve shodě s ustanoveními této směrnice/směrníc [4], jak je uvedeno v souladu s harmonizovanou normou/normami [5]. Technická dokumentace, která je k dispozici na výše uvedené adrese [2], je vystavena [6], a toto prohlášení je schváleno [7].

DA - Denne erklæring er udstedt på denne dag [1] under producentens eget ansvar [2]. Formålet med erklæringen [3 Model/Serienr] er i overensstemmelse med bestemmelserne i direktivet/direktiverne [4] som vist ved overensstemmelse med de(n) harmoniserede standard(er) [5]. Den tekniske dokumentation, der findes på ovennævnte adresse [2], er kompliceret af [6], og denne erklæring er godkendt af [7].

DE - Diese Erklärung wird an diesem Tag [1] herausgegeben und unterliegt der alleinigen Verantwortung des Herstellers [2]. Der Gegenstand der Erklärung [3 Modell/Serien-Nr.-Bereich] stimmt mit den Bestimmungen der Richtlinie(n) überein [4], wie durch die Einhaltung der harmonisierten Norm(en) dargestellt [5]. Die technische Dokumentation, die an der oben genannten Adresse zur Verfügung steht [2], wird von [6] zusammengestellt und diese Erklärung wird durch [7] genehmigt.

EL - Η παρούσα δήλωση εκδίδεται στις [1] υπό την αποκλειστική ευθύνη του κατασκευαστή [2]. Το αντικείμενο της δήλωσης [3 Μοντέλα/Κλίμακα Αξόνος Αριθμού] συμμορφώνεται με τις διατάξεις της οδηγίας [4], όπως φαίνεται από τη συμμόρφωση με το εναρμονισμένο πρότυπο [5]. Η τεχνική τεκμηρίωση, διαθέσιμη στην πιο πάνω διεύθυνση [2], έχει συνταχθεί από [6] και η παρούσα δήλωση εγκρίνεται από [7].

ES - Esta declaración se publica este día [1] bajo la responsabilidad exclusiva del fabricante [2]. El objeto de la declaración [3 Modelo/Gama de No. de Serie] se ajusta a las disposiciones de la(s) directiva(s) [4], tal y como muestra el cumplimiento de la(s) norma(s) armonizada(s) [5]. La documentación técnica, disponible en la dirección anterior [2], ha sido compilada por [6] y esta declaración ha sido aprobada por [7].

ET - Käesolev deklaratsioon on väljastatud sel kuupäeval [1] tootja ainuvastutusel [2]. Deklaratsiooni objekt [3 Mudel/Seerianumbrite vahemik] vastab direktiivi(de)le [4], nagu näitab vastavus ühtlustatud standardi(ite)le [5]. Ülaltoodud aadressil [2] kättesaadava tehnilise dokumentatsiooni on koostanud [6] ja käesoleva deklaratsiooni on kinnitanud [7].

FI - Tämä vakuutus on annettu tänä päivänä [1] yksinomaan valmistajan [2] vastuulla. Vakuutuksen [3 Mallia/Sarjanumero] kohde on yhden tai useamman direktiivin [4] vaatimusten mukainen, mikä osoitetaan yhdenmukaistettujen standardien [5] täyttymisellä. Edellä mainitusta osoitteesta [2] saatavilla olevan teknisen dokumentaation on laatinut [6], ja tämän vakuutuksen on hyväksynyt [7].

FR - Cette déclaration est publiée en ce jour [1] sous la seule responsabilité du fabricant [2]. L'objet de la déclaration [3 Modèle/No. Série] est conforme aux dispositions de la ou des directives [4] comme indiqué par la conformité à la ou aux normes harmonisées [5]. La documentation technique, disponible à l'adresse ci-dessus [2], est compilée par [6] et cette déclaration est approuvée par [7].

HR - Ova izvjava izdana je dana [1] pod isključivom odgovornošću proizvođača [2]. Predmet ove izvjave [3 Model/opseg serijskog broja] sukladan je odredbama direktive/a [4] kako je zahtjeva usklađenost s usklađenim standardom(ima) [5]. Tehničku dokumentaciju, koja je dostupna na adresi [2], izradio je [6] te je ovu izvjavu odobrio [7].

HU - A nyilatkozatot ma, [1]-i dátummal állították ki, a gyártó [(2)] kizárólagos felelősségére. A [5] harmonizált szabvány(ok)nak való megfelelés okán, a [3 Modell/ Gyártási szám-tartomány] nyilatkozat tárgya megfelel a(z) [4] irányelv(ek)ben foglaltaknak. A műszaki dokumentációt, amely a fenti címen érhető el [2], [6] állította össze. E nyilatkozatot [7] hagyta jóvá.



IT - Questa dichiarazione è rilasciata in questo giorno [1] sotto la sola responsabilità del fabbricante [2]. L'oggetto della dichiarazione [3 Modello/Numeri di Serie] è conforme alle disposizioni della direttiva/delle direttive [4] come mostrato dalla conformità con la norma armonizzata/le norme armonizzate [5]. La documentazione tecnica, disponibile all'indirizzo di cui sopra [2], viene compilata da [6] e questa dichiarazione è approvata da [7].

LT - Ši deklaracija parengta [1] d., už ją atsakingas tik gamintojas „[2]“. Deklaracijos [3 Modeliai/Serijos numeriai] objektais atitinka direktyvos (-ų) [4] nuostatas, remiantis darniojo (-iųjų) standarto (-ų) [5] atitiktimi. Technišius dokumentus, kuriuos galima rasti anksčiau pateiktą adresu [2], parengė [6], o ši deklaracija patvirtino [7].

LV - Šī deklarācija ir izsniegta šajā dienā [1] ar pilnīgu ražotāja atbildību [2]. Deklarācijas [3 Modelis/Sērijas numuru diapazons] mērķis atbilst direktīvas(ų) [4] noteikumiem, kā norāda atbilstība saskaņotajam(iem) standartam(iem) [5]. Tehniskā dokumentācija, kas ir pieejama iepriekš norādītajā adresē [2], ir [6] veidota, un šo deklarāciju apstiprināja [7].

NL - Deze verklaring wordt afgegeven op deze dag [1] onder de uitsluitende verantwoordelijkheid van de fabrikant [2]. Het doel van de verklaring [3 Model/ Serienummers] is in overeenstemming met de bepalingen van de richtlijn(en) [4] zoals weergegeven door de overeenstemming met de geharmoniseerde norm(en) [5]. De technische documentatie beschikbaar op bovenstaand adres [2], is samengesteld door [6] en deze aangie is goedgekeurd door [7].

Table 1. Declaration of Conformity Requirement

1	Date of Issue	August 2023
2	Manufacturer Name and Address	Ingersoll Rand Industrial Ireland Ltd. / Lakeview Dr, Swords, IE
3	Object of Declaration	Tecna Balancer (models) BHR8, BHR15 and BHR25 Serial Number Range: 0000001-->9999999
4	Directive(s) Conformity	2006/42/EC (Machinery)
5	Standard(s) Compliance	DIN 15112:1979
6	Tech File Author Name (EU) Title/Position	Alexis Flipo Product Engineering Manager 
7	Declaration Author Name Title/Position	Rohit Gupta Engineering Leader - Pneumatic, ILE & ESS, Engineering 

EN - This declaration is issued on this day [1] under the sole responsibility of the manufacturer [2]. The object of the declaration [3 Model/Serial Number Range] is in conformity with the provisions of the directive(s) [4] as shown by compliance with the harmonized standard(s) [5]. The technical documentation, available at the above address [2], is compiled by [6] and this declaration is approved by [7].

BG - Тази декларация се издава на този ден [1] под единствена отговорност на производителя [2]. Предметът на декларацията [3 Model/Сериен номер от до] е в съответствие с разпоредбите на директивата(и) [4], както е показано чрез съответствие с хармонизирани(и) стандарти [5]. Техническата документация, налична на адреса по-горе [2], е съставена от [6] и тази декларация е одобрена от [7].

CS - Toto prohlášení je vystaveno dne [1] na výhradní zodpovědnost výrobce [2]. Předmět prohlášení [3 Model/Výrobní číslo] je ve shodě s ustanoveními této směrnice/směrnic [4], jak je uvedeno v souladu s harmonizovanou normou/normami [5]. Technická dokumentace, která je k dispozici na výše uvedené adrese [2], je vystavena [6], a toto prohlášení je schváleno [7].

DA - Denne erklæring er udstedt på denne dag [1] under producentens eget ansvar [2]. Formålet med erklæringen [3 Model/Serienr] er i overensstemmelse med bestemmelserne i direktivet/direktiverne [4] som vist ved overensstemmelse med den/harmoniserede standard(er) [5]. Den tekniske dokumentation, der findes på ovennævnte adresse [2], er kompletet af [6], og denne erklæring er godkendt af [7].

DE - Diese Erklärung wird an diesem Tag [1] herausgegeben und unterliegt der alleinigen Verantwortung des Herstellers [2]. Der Gegenstand der Erklärung [3 Modell/Serien-Nr.-Bereich] stimmt mit den Bestimmungen der Richtlinie(n) überein [4], wie durch die Einhaltung der harmonisierten Norm(en) dargestellt [5]. Die technische Dokumentation, die an der oben genannten Adresse zur Verfügung steht [2], wird von [6] zusammengestellt und diese Erklärung wird durch [7] genehmigt.

EL - Η παρούσα δήλωση εκδίδεται στις [1] υπό την αποκλειστική ευθύνη του κατασκευαστή [2]. Το αντικείμενο της δήλωσης [3 Μοντέλο/Κύλιος Αριθμός] συμμορφώνεται με τις διατάξεις της οδηγίας [4], όπως φαίνεται από τη συμμόρφωση με το ενωμοποιημένο πρότυπο [5]. Η τεχνική τεκμηρίωση, διαθέσιμη στην πιο πάνω διεύθυνση [2], έχει συσταθεί από [6] και η παρούσα δήλωση εγκρίνεται από [7].

ES - Esta declaración se publica este día [1] bajo la responsabilidad exclusiva del fabricante [2]. El objeto de la declaración [3 Modelo/Gama de No. de Serie] se ajusta a las disposiciones de la(s) directiva(s) [4], tal y como muestra el cumplimiento de la(s) norma(s) armonizada(s) [5]. La documentación técnica, disponible en la dirección anterior [2], ha sido compilada por [6] y esta declaración ha sido aprobada por [7].

ET - Käesolev deklaratsioon on väljastatud sel kuupäeval [1] tootja ainuvastutuse [2]. Deklaratsiooni objekt [3 Mudel/Seriaanumbrite vahemik] vastab direktiivi(delle) [4], nagu näitab vastavus ühtlustatud standardi(telle) [5]. Ühtlustatud aadressil [2] kätesaadava tehnilise dokumentatsiooni koostanud [6] ja käesoleva deklaratsiooni koostanud [7].

FI - Tämä vakuutus on annettu tänä päivänä [1] yksinomaan valmistajan [2] vastuulla. Vakuutuksen [3 Mallia/Sarjanumero] kohde on yhden tai useamman direktiivin [4] vaatimusten mukainen, mikä osoitetaan yhdenmukaistettujen standardien [5] täyttymisellä. Edellä mainittua soiteesta [2] saatavilla olevan teknisen dokumentation on laatinut [6]. Ja tämän vakuutuksen on hyväksynyt [7].

FR - Cette déclaration est publiée en ce jour [1] sous la seule responsabilité du fabricant [2]. L'objet de la déclaration [3 Modèle/No. Série] est conforme aux dispositions de la ou des directives [4] comme indiqué par la conformité à la ou aux normes harmonisées [5]. La documentation technique, disponible à l'adresse ci-dessus [2], est complétée par [6] et cette déclaration est approuvée par [7].

HR - Ova izjava izdana je dana [1] pod isključivom odgovornošću proizvođača [2]. Predmet ove izjave [3 Model/opseg serijskog broja] sukladan je odredbama direktive/a [4] kako je zahtjeva usklađenost s usklađenim standardom(im) [5]. Tehničku dokumentaciju, koja je dostupna na adresi [2], izradio je [6] te ju ovaj izjavu odobrio [7].

HU - A nyilatkozatot ma, [1]-i dátummal állították ki, a gyártó [2]) kizárólagos felelősségére. A [5] harmonizált szabvány(ok)nak való megfelelés okán, a [3 Model/Gyártási szám-tartomány] nyilatkozatot tárgya megfelel az [4] irányelvek(ek)ben foglaltaknak. A műszaki dokumentációt, amely a fenti címen érhető el [2], [6] állította össze. E nyilatkozatot [7] hagyta jóvá.

IT - Questa dichiarazione è rilasciata in questo giorno [1] sotto la sola responsabilità del fabbricante [2]. L'oggetto della dichiarazione [3 Modello/Numeri di Serie] è conforme alle disposizioni della direttiva/ delle direttive [4] come mostrato dalla conformità con la norma armonizzata/le norme armonizzate [5]. La documentazione tecnica, disponibile all'indirizzo di cui sopra [2], viene compilata da [6] e questa dichiarazione è approvata da [7].

LT - Ši deklaracija parengta [1] d. už ją atsakingas tik gamintojas. [2]: Deklaracijos [3 Modeliai/Serijs numeriai] objektas atitinka direktyvos (-ų) [4] nuostatas, remiantis darniojo (-iųjų) standarto (-ų) [5] atitiktimi. Technišnis dokumentas, kuriuos galima rasti anksčiau pateiktu adresu [2], parengė [6], o šią deklaraciją patvirtino [7].

LV - Ši deklarācija ir izsniegta šajā dienā [1] ar pilnīgu ražotāja atbildību [2]. Deklarācijas [3 Modelis/Sērijas numuru diapazons] mērķis atbilst direktīvas(ū) [4] noteikumiem, kā norāda atbilstība saskaņotajam(ajiem) standartam(ajiem) [5]. Tehniskā dokumentācija, kas ir pieejama iepriekš norādītajā adresē [2], ir [6] veidota, un šo deklarāciju apstiprināja [7].

NL - Deze verklaring wordt afgegeven op deze dag [1] onder de uitsluitende verantwoordelijkheid van de fabrikant [2]. Het doel van de verklaring [3 Model/Serienummers] is in overeenstemming met de bepalingen van de richtlijn(en) [4] zoals weergegeven door de overeenstemming met de geharmoniseerde norm(en) [5]. De technische documentatie beschikbaar op bovenstaand adres [2], is samengesteld door [6] en deze aangie is goedgekeurd door [7].

NO - Denne erklæring er utgitt på denne dagen [1] og er produsentens [2] enansvar. Erklæringens [3 Modell/Serienr] formål er overholdelse av direktivets/direktivenes [4] regulering(er), som vist ved samsvar med den/de harmoniserte standard(er) [5]. Den tekniske dokumentasjonen, tilgjengelig fra adressen [2] over, er innhentet av [6] og denne erklæringen er godkjent av [7].

PL - Niniejsza deklaracja została wydana w dniu [1] na wyłączną odpowiedzialność producenta [2]. Przedmiot deklaracji [3 Model/O numerach seryjnych] jest zgodny z przepisami dyrektywy(ów) [4], o czym świadczą zgodność z normą(-ami) [5]. Dokumentacja techniczna, dostępna pod adresem [2], została sporządzona przez [6], a niniejszą deklarację zatwierdził [7].

PT - Esta declaração é emitida neste dia [1] mediante responsabilidade exclusiva do fabricante [2]. O objeto da declaração [Modelo S/Intervalo de números de série] está em conformidade com o disposto na(s) diretiva(s) [4], conforme indicado pelo cumprimento das normas harmonizadas [5]. A documentação técnica, disponível no endereço acima [2], foi reunida por [6] e a presente declaração foi aprovada por [7].

RO - Acestă declarație este emisă la data de [1] sub responsabilitatea producătorului [2]. Obiectul declarației [3 Model/Domeniu număr serie] este în conformitate cu dispozițiile din directiva/directivele [4] după cum este indicat prin conformitatea cu standardul(standardele) armonizat(armonizate) [5]. Documentația tehnică disponibilă la adresa de mai sus [2] este alcătuită din [6] și această declarație este aprobată de [7].

SK - Toto vyhlásenie je vydané dňa [1] na výslovnú zodpovednosť výrobcu [2]. Predmet vyhlásenia [3 Model/Výrobné číslo] je v súlade s ustanoveniami smernice (smerníc) [4], ako sa uvádza v zhone s harmonizovanou normou (normami) [5]. Technická dokumentácia, dostupná na vyššie uvedenej adrese [2], je zostavená [6] a toto vyhlásenie je schválené [7].

SL - Ta izjava je izdana na ta dan [1] in izključno odgovornosti proizvajalca [2]. Predmet izjave [3 Model/Območje serijskih števil] je skladen z določbami direktive/direktiv [4], kot dokazuje skladnost s harmoniziranimi standardi [5]. Tehnično dokumentacijo, ki je na voljo na zgornjem naslovu [2], je pripravil [6], izjavo pa je odobril [7].

SV - Denna deklaration utfärdas idag [1] under tillverkarens [2] eget ansvar. Deklarationens syfte [3 Modell/Serienummer, mellan] följer bestämmelserna i direktivet/direktiven [4] enligt överensstämmelse med de harmoniserade standarderna [5]. Den tekniska dokumentationen, som är tillgänglig på ovanstående adress [2], är sammanställd av [6] och denna deklaration är godkänd av [7].