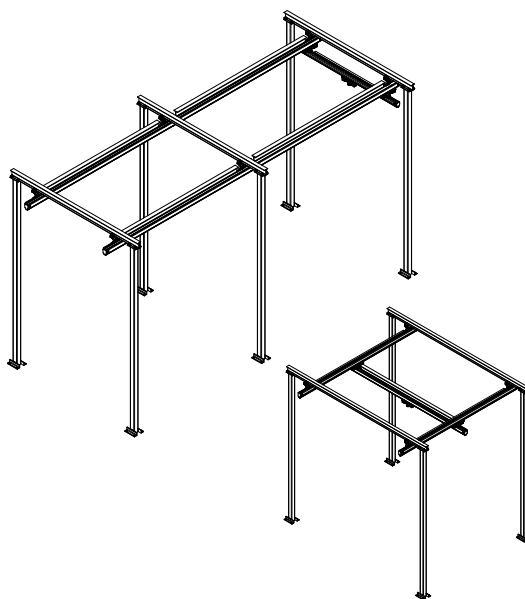


Product Information



Información de producto
Information produit
Informações do Produto

Free Standing Workstation Cranes



(Dwg. MHP3328)



Save These Instructions

SAFETY INFORMATION

This manual provides important information for all personnel involved with the safe installation, operation and proper maintenance of this Workstation Crane. Even if you feel you are familiar with this or similar equipment, you should read this manual before operating the Workstation Crane.

WARNING

- **Do not use this Workstation Crane for lifting, supporting or transporting people. Do not use the system to lift or support loads over people. Always operate, inspect, and maintain this equipment in accordance with applicable safety codes and regulations.**
- **Equipment shown in this manual is intended for industrial use only. Use only Ingersoll Rand components in installation. All Ingersoll Rand components are tested and certified to applicable safety standards.**

NOTICE

- **This manual contains important safety, installation, operation and maintenance information. Make this manual available to all persons responsible for the installation, operation and maintenance of these products.**

Alert Signals

Throughout this manual there are steps and procedures which, if not followed, may result in a hazard. The following signal words are used to identify the level of potential hazard.

DANGER

Indicates an imminently hazardous situation which, if not avoided, will result in death or serious injury.

WARNING

Indicates a potentially hazardous situation which, if not avoided, could result in death or serious injury.

CAUTION

Indicates a potentially hazardous situation which, if not avoided, may result in minor or moderate injury or property damage.

NOTICE

Indicates information or a company policy that relates directly or indirectly to the safety of personnel or protection of property.

Safety Summary

WARNING

- **Do not use this Workstation Crane for lifting, supporting, or transporting people.**
- **Consult a registered structural engineer to decide suitability of this product in seismic conditions.**

NOTICE

- **Lifting and handling equipment is subject to different regulations in each Region. These regulations may not be specified in this manual.**
- **The crane system is designed for indoor use only. For other applications, please contact the factory.**

The National Safety Council, Accident Prevention Manual for Industrial Operations, Eighth Edition and other recognized safety sources make a common point: Employees who work near suspended loads or assist in hooking on or arranging a load should be instructed to keep out from under the load. From a safety standpoint, one factor is paramount: conduct all lifting operations in such a manner that if there were an equipment failure, no personnel would be injured. This means keep out from under a raised load and keep out of the line of force of any load.

The Occupational Safety and Health Act of 1970 generally places the burden of compliance with the owner/employer, not the manufacturer. Many OSHA requirements are not concerned or connected with the manufactured product but are, rather, associated with the final installation. It is the owner's and user's responsibility to determine the suitability of a product for any particular use. It is recommended that all applicable industry, trade association, federal, state, and local regulations be checked. Read all operating instructions and warnings before operation.

Rigging: It is the responsibility of the operator to exercise caution, use common sense and be familiar with proper rigging techniques. Refer to ASME B30.9 for rigging information, American National Standards Institute, 1430 Broadway, New York, NY 10018.

This manual has been produced by **Ingersoll Rand** to provide dealers, mechanics, operators and company personnel with the information required to install, operate, maintain and repair the products described herein.

It is extremely important that mechanics and operators be familiar with the servicing procedures of these products, or like or similar products, and are physically capable of conducting the procedures. These personnel shall have a general working knowledge that includes:

1. Proper and safe use and application of mechanics common hand tools as well as special **Ingersoll Rand** or recommended tools.
2. Safety procedures, precautions and work habits established by accepted industry standards.

Ingersoll Rand cannot know of, or provide all the procedures by which product operations or repairs may be conducted and the hazards and/or results of each method. If operation or maintenance procedures not specifically recommended by the manufacturer are conducted, it must be ensured that product safety is not endangered by the actions taken. If unsure of an operation or maintenance procedure or step, personnel should place the product in a safe condition and contact supervisors and/or **Ingersoll Rand** for technical assistance.

WARNING

- **Runways more than 8 ft (2.4 m) in length may require a separate lifting device during installation. Securely attach the runway or bridge to the lifting device and attach a safety cable to the load in case of accidental release from the lifting device.**
- **If a leveling laser is used, wear proper eye protection and follow manufacturers directions and safety precautions when using the device.**
- **Make certain all ladders or scaffolding used by installation personnel are reliable and capable of supporting the combined weight of the installer and equipment.**
- **When determining the total weight of the suspended load, include all hoists, positioners, handling devices, buckets, hooks, etc. The total weight of the suspended load must not exceed the load rating marked on the rail.**
- **An allowance of 15% of rated capacity is provided for weight of hoist and trolley. Also, an additional allowance of 25% of rated load is provided for impact loading caused by hoist use. Hoist speed must be less than 50 fpm.**

SAFE OPERATING INSTRUCTIONS

The following warnings and operating instructions are intended to avoid unsafe operating practices which might lead to injury or property damage.

Ingersoll Rand recognizes that most companies who use rail systems have a safety program in force at their facility. In the event that some conflict exists between a rule set forth in this publication and a similar rule already set by an individual company, the more stringent of the two should take precedence. Load ratings are marked on both sides of bridge rail and are clearly visible to the operator. These ratings are established by **Ingersoll Rand** through exhaustive testing.

Crane operation should adhere to proven safety rules and practices outlined in applicable and current ANSI and OSHA safety standards.

Safe Operating Instructions are provided to make an operator aware of dangerous practices to avoid and are not necessarily limited to the following list. Refer to specific sections in the manual for additional safety information.

1. Only allow personnel trained in safety and operation of this rail system to operate and maintain this system.
2. When a "DO NOT OPERATE" sign is placed on the rail system, do not use until repairs or adjustments have been completed and the sign has been removed by designated personnel.
3. Before each shift, visually check the rail system for wear and damage. Never use a rail system that inspection indicates is worn or damaged.
4. Never exceed the rated capacity of the rail system. Refer to labels attached to the rail system.
5. Never exceed the maximum hoist speed. Refer to labels attached to the rail system.
6. Pay attention to loads suspended from the rail system at all times.
7. Make sure everyone is clear of the load path. Do not lift a load over people.
8. Never use the rail system and attached equipment for lifting or lowering people, and never allow anyone to stand on a suspended load.
9. Do not swing a suspended load.
10. Never suspend a load for an extended period of time.
11. Never leave a suspended load unattended.
12. Never weld or cut a load suspended from the rail system.
13. Do not operate rail system if jamming, overloading, or binding occurs.
14. Avoid collision or bumping of suspended components on the rail system.
15. To move a trolley or bridge rail, push on the load or load connector.
16. Do not use end stops to position a load. Frequent collision with end stops can cause too much wear of suspension components. Keep hand-pushed loads in control at all times to prevent impacts on the end stops.

OPERATORS DUTIES AND RESPONSIBILITIES

When operating the product, operators should always use personal protective equipment appropriate to the operation. As a minimum this should include safety glasses, hearing protection, gloves, safety shoes and hard hat. Other safety items as required by individual companies should also be used.

The use of non-slip footwear is recommended if the product is located in an area that may be muddy, wet or have slippery surfaces.



■ Inspections

Daily (Frequent) visual inspections should be performed by the operator at the start of each shift, or at the time the product is first used during each shift. Refer to "INSPECTION" section in this manual, provided with the product. The operator shall not perform periodic inspections, or maintenance on the product unless the operator has been trained to perform such inspections or maintenance, and is designated by the owner to perform such inspections or maintenance.

■ Operators Responsibilities

The operator must be carefully instructed in his or her duties and must understand the operation of the product, including a study of the manufacturers literature. The operator must thoroughly understand proper methods of rigging and attaching loads and should have a good attitude regarding safety. It is the operator's responsibility to refuse to operate the product under unsafe conditions.

It is the responsibility of the operator to exercise caution, use common sense and be familiar with operating procedures and duties.

Operators are not required to maintain the product however, they are responsible for operation and visual inspection of the product.

Operators who are fatigued or have exceeded their normal shift period shall check all related regulations regarding approved work periods prior to operating the product.

Operators Shall:

1. Be physically competent and have no health condition which might affect their ability to act.
2. Be trained on product controls and load movement direction before operating the product.
3. Watch for potential product malfunctions that may require adjustment or repair.
4. Stop operation if malfunctions occur, and immediately advise their supervisor so corrective action can be taken.
5. Check brake operation, by lifting load a short distance and releasing operating chain.
6. Confirm that the product inspections and lubrication checks have been completed.

Operators Should:

1. Have normal depth perception, field of vision, hearing, reaction time, manual dexterity, and coordination for the work being performed.
2. NOT be subject to seizures, loss of physical control, physical defects, or emotional instability that could result in actions of the operator being a hazard to the operator or others.
3. NOT operate the product when under the influence of alcohol or drugs.
4. NOT operate the product when under the influence of medication that could result in actions of the operator being a hazard to the operator or others.

The operator must know the product capacity during all operations. It is the operator's responsibility to ensure that the load does not exceed the product rating.

Items to consider as part of the load:

- All rigging items.
- Shock loads that could cause the load to exceed product rated capacity.
- If using this product in a multi-lift application, ensure both are in unison and one is not going faster or slower thereby putting an over load on the other.
- Load gaining weight due to snow, ice, or rain.

PARTS ORDERING INFORMATION

These products are designed and constructed to provide long, trouble-free service. In time it may be necessary to order and install new parts to replace those that have been subjected to wear.

For your convenience and future reference, it is recommended that the following information be recorded.

Model Number _____

Date Purchase _____

When ordering replacement parts, please specify the following:

1. Part number(s) and part description as shown in this manual.
2. Quantity required.

NOTICE

- **Continuing improvement and advancement of design may cause changes to this equipment which are not included in this manual. Manuals are periodically revised to incorporate changes. Always check the manual edition number on the front cover for the latest issue.**
- **Sections of this manual may not apply to your product.**
- **The use of other than genuine Ingersoll Rand replacement parts may result in safety hazards, decreased performance and increased maintenance, and will invalidate all warranties.**

■ Return Goods Policy

Ingersoll Rand will not accept any returned goods for warranty or service unless prior arrangements have been made and written authorization has been provided from the location the goods were purchased.

Products that have been modified without Ingersoll Rand approval, mishandled or overloaded will not be repaired or replaced under warranty. A printed copy of the warranty that applies to this product is provided inside the back cover of the product information manual or in some cases the parts manual.

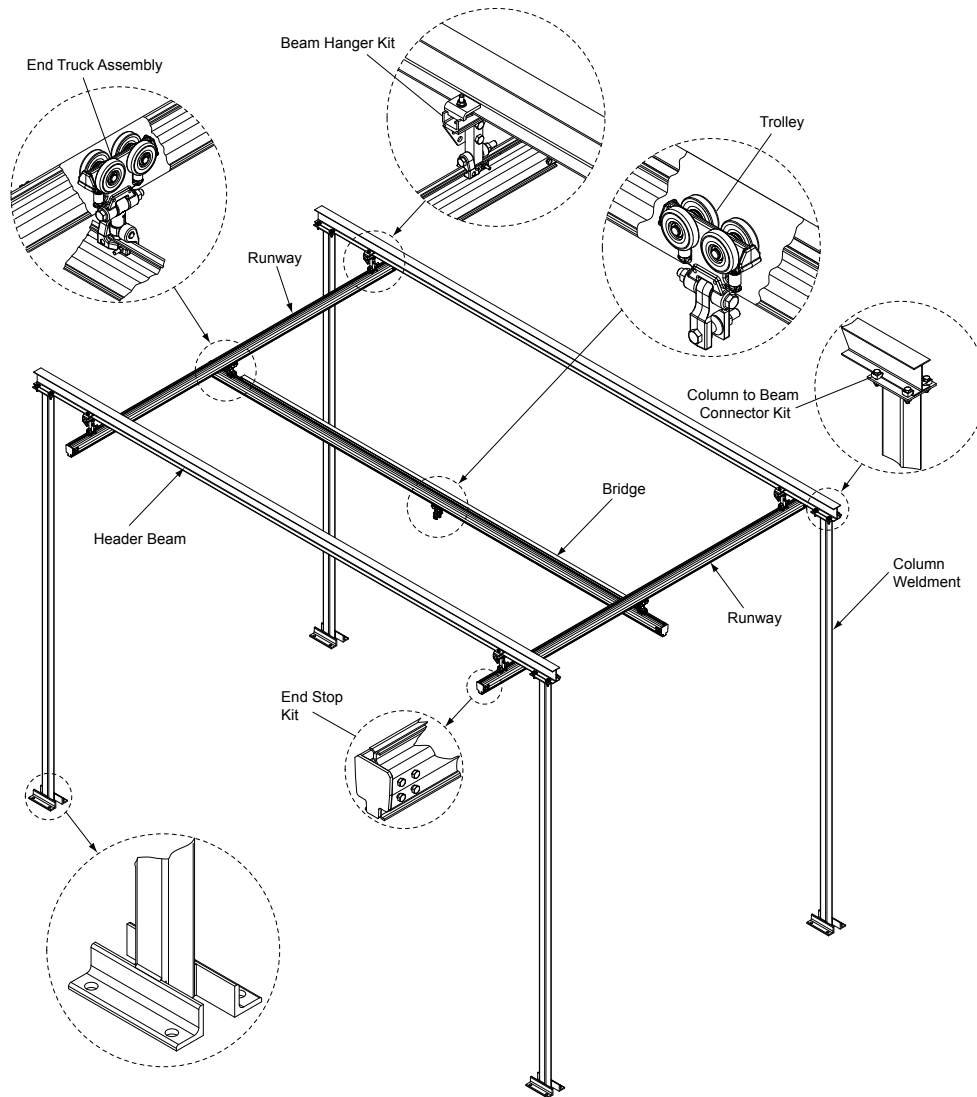
■ Disposal



When the life of the product has expired, it is recommended that it be disassembled, degreased and parts separated as to materials so that they may be recycled.

Refer all communications to the nearest Ingersoll Rand Office or Distributor.

GENERAL ASSEMBLY AND COMPONENTS



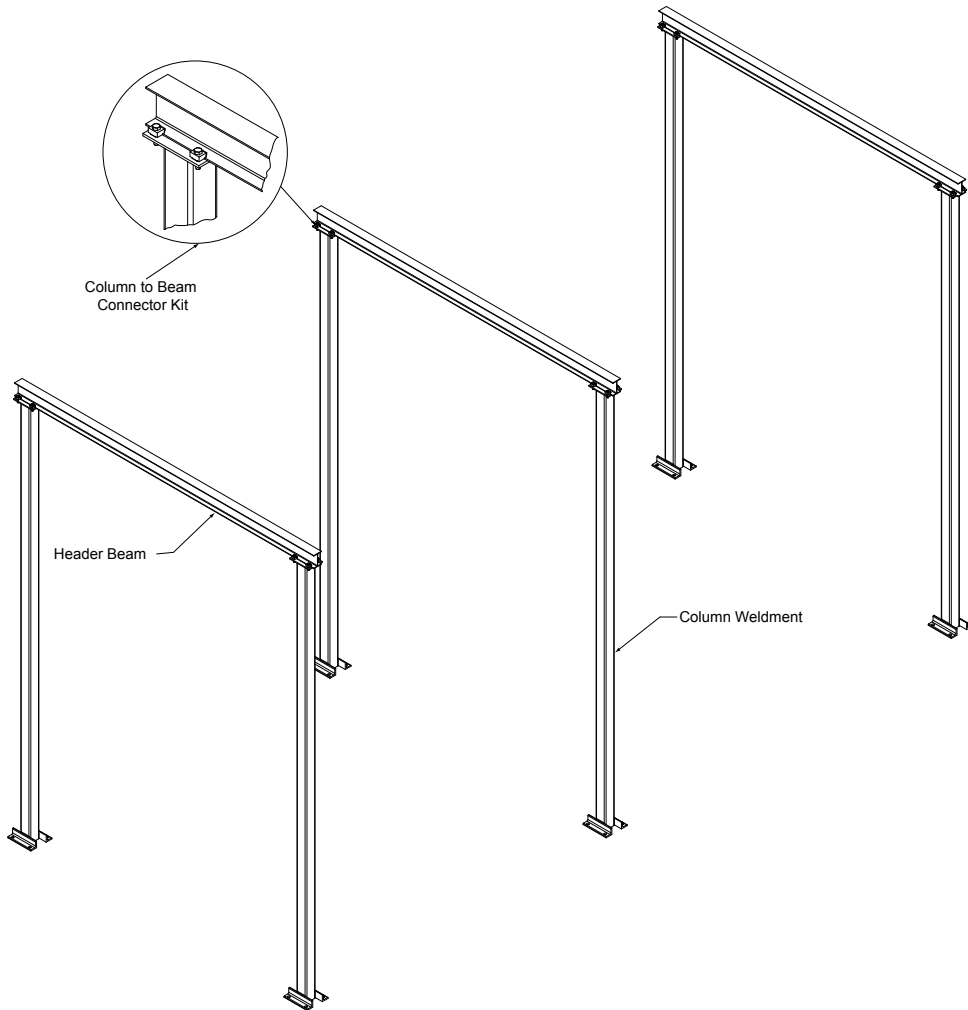
(Dwg. MHP3330)

Z-Rail Components	Floor Support Components
Bridge Rail	Column Weldment
Runway Rails (Including splice kits, if required)	Header Beam
Beam Hanger Kits	Column to Beam Connector Kit
End Truck Assembly	
Hoist Trolley	
End Stops (For runway rails and bridge rail)	

NOTICE

- For Z-rail components refer to **Overhead Rail System Parts Information** manual listed under section "RELATED DOCUMENTS" on page 7.
- For floor support components, refer to **Dwg. MHP3329** on page 6.

FLOOR SUPPORT - GENERAL ASSEMBLY



(Dwg. MHP3329)

NOTICE

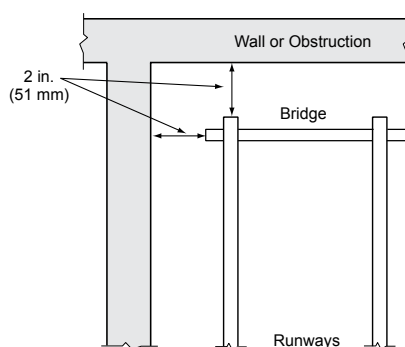
- Refer General Assembly drawing for specific part number related to the Free Standing Workstation Crane. The drawing has been supplied with this product.

SPACE REQUIREMENTS

Take the necessary time to determine the best installation location to optimize the systems capability. Allow adequate space, clear of system and attachments, for safe traffic flow of personnel and materials to and from the area. Allow clearance for the height of transported loads and necessary work space.

Visually define where to install the system by laying out the runways and bridge on the work space floor, or marking off the proposed runway and bridge placement on the floor with masking tape. This mock-up allows you to walk off the proposed load path and direction of travel.

The end and side wall clearance will be the same distance for all rail systems covered in this manual. Runway to bridge clearances may vary depending on type of rail, hanger or trolley that is used.



(Dwg. MHP3337)

TRANSPORT AND STORAGE



CAUTION

- **Transport may only be done by qualified personnel. No liability for any damage resulting from improper transport or improper storage.**

■ Transport of the Rails

Ingersoll Rand lifting devices are inspected and adequately packed before delivery.

1. Do not throw or drop this product.
2. Use adequate means of transport. Transport and means of transport must be suitable for local conditions.

NOTICE

- **Should a safety device for transport exist, please remove it before commissioning.**

■ Storage

■ Aluminum and Steel Rail System

Store in clean and dry environment to avoid corrosion.

TOOL REQUIREMENTS

1. "C" clamp
2. Air powered reversible ratchet/impact
3. Socket set / impact socket set
4. Torque wrench
5. Air or electric drill with drill bits as per anchor bolt supplier's recommendations
6. Allen wrench set
7. Leveling instruments like water level, bubble level, laser Level etc.
8. Tape measure
9. Pin punch, ball peen hammer
10. Heavy polyurethane mallet
11. Hand truck
12. Ladders or scaffolding
13. Chalk line
14. Shop brush
15. Steel Shims
16. Side cutters
17. Combination wrench or socket and wrench

During installation keep parts and tools at least 6 ft (2 m) clear of the workspace area until needed.



WARNING

- **DO NOT replace self-locking nuts with standard nuts and lockwashers. All fasteners for rail systems must be grade 5 or better. Use only fasteners provided by Ingersoll Rand. Nuts that are torque prevailing have torque values.**
- **DO NOT overtighten fasteners or bolts. Overtightening may weaken fasteners. DO NOT reuse self-locking nuts.**

NOTICE

- **All fasteners are standard thread with the exception of swivels which are reverse threaded.**

RELATED DOCUMENTS

This manual should be used in conjunction with the Overhead Rail System product manuals. Refer to:

Overhead Rail System Safety Information Manual 16600454.
Overhead Rail System Maintenance Information Manual 16600470.
Overhead Rail System Parts Information Manual 16600462.
Overhead Rail System Product Information manual 71341101.

These manuals can be downloaded from www.ingersollrandproducts.com

INSTALLATION

Prior to installing the Free Standing Workstation Crane, carefully inspect each component for possible shipping damage.

To ensure safe and proper Free Standing Workstation Crane installation, make this manual available to the installer.

⚠ WARNING

- **A falling load can cause injury or death. Before installing, refer to "SAFETY INFORMATION" section in this manual and other applicable system manuals.**

⚠ CAUTION

- **Owners and users are advised to examine specific, local or other regulations, including American National Standards Institute and/or OSHA Regulations which may apply to a particular type of use of this product before installing or putting rail system to use.**

Load rating labels are installed on both sides of the bridge so they are clearly visible to the operator. The total weight of the suspended load must include all handling devices, positioner or hoist, hooks, and associated equipment.

Make certain the rail system is properly installed. A little extra time and effort in so doing can contribute a lot toward preventing accidents and helping you get the best service possible.

■ Pre-Installation Checklist

⚠ WARNING

- **Check the installation area for conflicts with utility supply lines, overhead electrical conduits or any utility that could present potential danger to the system or personnel.**
- **System installation, maintenance and disassembly procedures require at least two people. Parts are too large and heavy for one person to safely handle.**

The following should be adhered to during installation:

1. All track suspension hardware and splices must be accessible for maintenance checks and inspection after installation.
2. All bolted constructions must be completely tightened and torqued to specifications as shown in the Torque Specification Table. Refer to Column to Beam Connector Kit section for the tightening torque required for Clamps on page 9.

	YES	NO
a. Is the proposed system location away from normal personnel traffic patterns?		
b. Will the operator be able to clearly see the load along its path of travel at all times?		
c. Is the location within easy and safe reach of the load receiving area?		
d. Do personnel and materials have clear access to and from the system?		
e. Has the rail system's anchorage been designed by a registered structural engineer to suit the installation?		
f. Will the system conflict with utility supply lines, overhead electrical conduit or any utility that could represent a potential danger?		
g. Does the proposed location allow enough space for maximum load travel in the direction you propose?		
h. Is the proposed location in an area easily kept clean and free of obstruction?		
i. Does the proposed location and installation meet all applicable code requirements?		
j. Does the load rating of proposed Free Standing Workstation Crane meet the requirements of hoisting of loads in the area?		

■ Torque Specification Table

Bolt Dia. inches	Grade 5 Tightening Torque			
	Dry		Lubricated	
	ft-lb	Nm	ft-lb	Nm
1/4 - 20	8	11	6	8
5/16 - 18	17	23	13	18
3/8 - 16	31	42	23	31
1/2 - 13	76	103	57	77
* 5/8 - 11	150	203	112	151

* Torque value for bolt of Column to Beam Connector Kit is provided separately in Page No. 9.

■ Anchoring of the System

⚠ WARNING

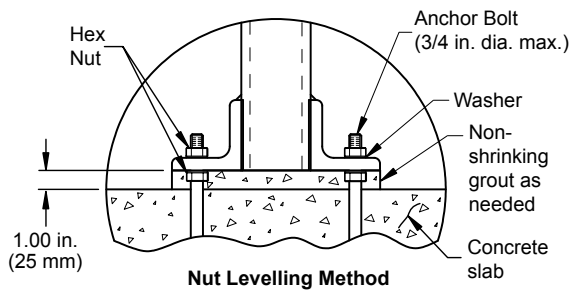
- **For proper installation of a Free Standing Work Station Bridge Crane system requires a minimum of a 6 in. (15.2 cm) thick reinforced concrete floor is required. Ingersoll Rand assumes no responsibility for the conditions of the mounting surface. Consult a registered structural engineer before installing the rail system.**
- **Chemical anchor bolt of 3/4" diameter is recommended. It should be embedded at least 4" into the floor. After assembly, a minimum of 2 threads above the nut are recommended.**
- **Free Standing Work Station Bridge Crane foundation requirements are based on a soil pressure of 2500# per square foot. Concrete recommendations for the Free Standing Work Station Bridge Crane foundation is a minimum of 3000# per square inch of compressive Concrete.**

NOTICE

- **Column anchorages should be designed by a registered structural engineer who is licensed in the state the system is being erected. This is required to ensure local building codes and laws, possible seismic loading considerations and variance in concrete slab and soil conditions are addressed.**

■ Nut Leveling Method

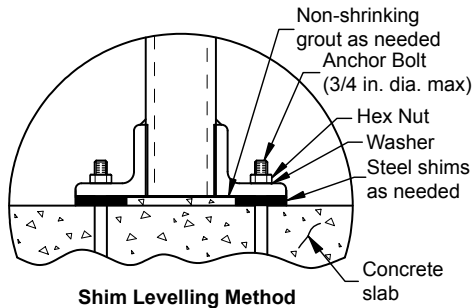
1. Thread the 4 bottom hex nuts with washers on the anchor bolts so the top of the washers is 1 inch (25 mm) above the mounting surface.
2. Set the column on the anchor bolts and thread the remaining 4 hex nuts and washers down hand tight.
3. Place a level on one face of the column and plumb vertical by adjusting the hex nuts on that side of the base plate up or down as needed.
4. Repeat step #3 on an adjacent side.
5. Recheck the side of the column plumbed in Step #3 and repeat Steps 3, 4, and 5 until both sides are plumb.
6. Tighten the upper hex nuts to the anchor bolt manufacturers recommended torque while making sure the lower hex nuts remain fixed.
7. Pack the remaining void below the base plate with non-shrinking grout until the grout is flush with all sides of the base plate.



(Dwg. MHP1609)

■ Shim Leveling Method

1. Set the column on the anchor bolts and thread the 4 hex nuts and washers down hand tight.
2. Place a level on the face of the column and plumb vertical by loosening the anchor bolt nuts as necessary and placing shims under the base plate on that side of the column as needed.
3. Repeat step #2 on an adjacent side.
4. Recheck the side of the column plumbed in Step #2 and repeat Steps 2, 3, and 4 until both sides are plumb.
5. Tighten the hex nuts to the anchor bolt manufacturers recommended torque.
6. Pack the remaining void below the base plate with non-shrinking grout until the grout is flush with all sides of the base plate.

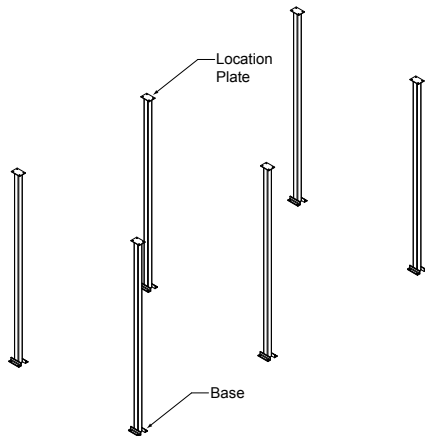


(Dwg. MHP1859)

WARNING

- If complete rigidity of the system is required, then additional bracing (not included) is necessary.

Column Weldment

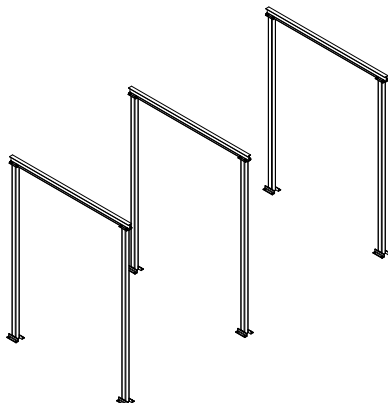


(Dwg. MHP3338)

1. Refer to enclosed general arrangement drawing for recommended dimensions and Column locations.
2. Complete the marking for the column weldment bases on the floor. Be sure that the location plate is oriented in the right direction as per the general arrangement drawing.
3. Drill holes and install anchor bolts (Not included) and hardware according to Manufacturer's installation directions and requirements
4. Position the column weldments in place.
5. Plumb the column weldments using the leveling methods listed in Page 8, under section Anchoring of the System.

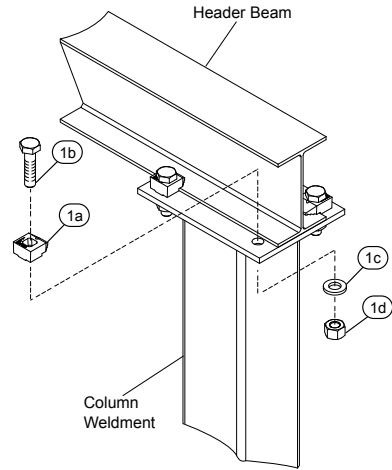
Header Beam

Refer to Dwg. MHP3341 on page 9.



(Dwg. MHP3341)

1. Lift and position header beam onto two secured column weldments. Refer to enclosed General Arrangement Drawing for recommended dimensions and header beam location.
2. Using Column to beam connector kit attach header beam to column weldment. Refer to Dwg. MHP3331 on page 9.



(Dwg. MHP3331)

Item No.	Description of Part	Total Qty
1	Column to Beam Connector Kit	1
1a	Clamp	4
1b	Hex Head Bolt	4
1c	Flat Washer	4
1d	Hex Nut	4

AR: As Required

Column to Beam Connector Kit

WARNING

- A check of corrosion to the exposed elements, and of the tightened torque should be carried out at regular intervals as provided in the maintenance schedule.

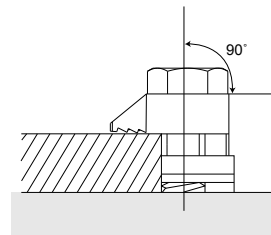
CAUTION

- Ingersoll Rand recommends the use of genuine Ingersoll Rand column to beam connector kit. Replacement parts may result in safety hazards, decreased performance, increased maintenance and may invalidate all warranties.

Installation of Clamps

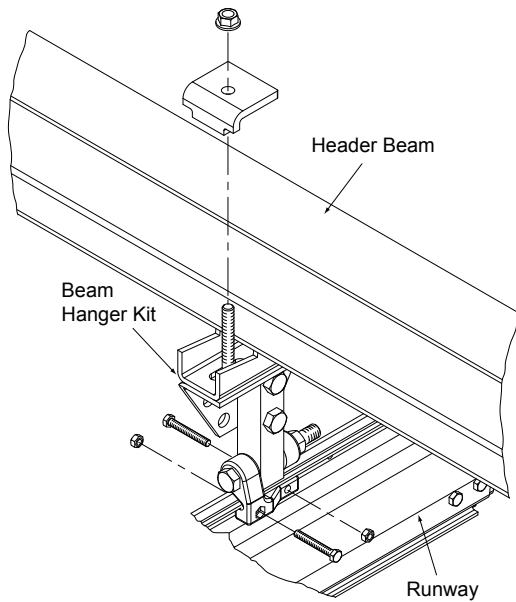
Installation should be carried out in accordance with Dwg. MHP3345 on page 9. A torque wrench must be used to confirm bolts are tightened to the recommended torque (108 ft-lb) under dry condition.

Though clamps can be reused, Ingersoll Rand recommends thorough inspection for corrosion or any other warning signs. The bolts and nuts should also be inspected against overtightening. Any stripping of the threads suggest that the bolt has been overtightened and it is recommended that you replace the bolt and clamp.



(Dwg. MHP3345)

Runway



(Dwg. MHP3347)

1. Refer to General Arrangement Drawing provided along with the Free Standing Workstation Crane for recommended dimensions to position Beam Hanger Kits.
2. Assemble the runway to the header beam using beam hangers as shown in the figure.
3. Align the runways using standard leveling device. Refer to the section 'Alignment' on page 10.
4. For installation of splicing, end stops, safety cables, refer to General Arrangement Drawing and Overhead Rail System Product Information manual listed in "RELATED DOCUMENTS" on page 7.
5. Please ensure that end stops are not assembled before the assembly of runway-end truck-bridge.

Alignment

Refer to Dwg. MHP1613 on page 10.

1. Place a level on each runway between hangers and level runways.
2. Place a straight piece of material between runways and level runways with each other. In most applications an empty rail section may be used as a guide. If using a laser to level the system, use the top outside edge of the rail channel as your guide.

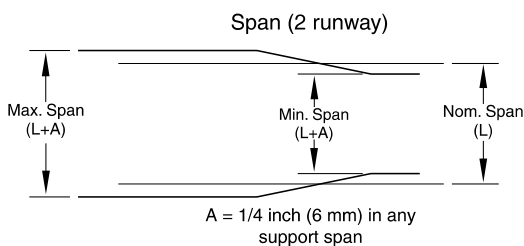
Ingersoll Rand Free Standing Workstation Cranes must be installed level and parallel as described in these instructions

WARNING

- Failure to comply with these specifications may void the warranty and can result in accelerated components wear and possibly component failure.

Longitudinal levelling:

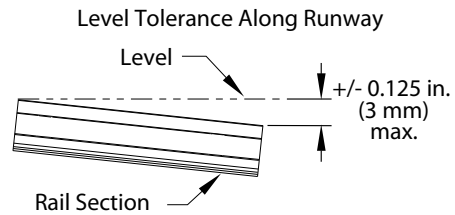
Systems with multiple runways and single rail systems shall be level to within 0.25 in. (6 mm) in overall length. The maximum rate of change shall be no more than 0.125 in. (3 mm) on 20 ft (6 m) centers.



(Dwg. MHP1613)

Elevation (runway to runway):

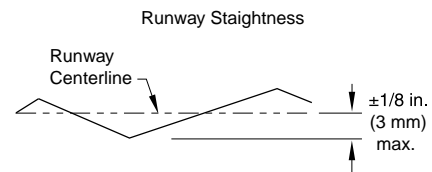
Bridge systems shall be level to within 0.25 in. (6 mm) in span of the bridge. The maximum rate of change shall be no more than 0.125 in. (3 mm) on 20 ft (6 m) rail centers.



(Dwg. MHP2283)

Centering runway to runway:

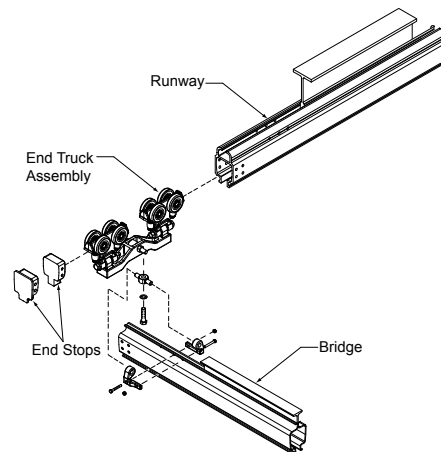
Shall be within 0.1875 in. (4 mm) in overall length of the system. The maximum rate of change shall be no more than 0.125 in. (3 mm) on 20 ft (6 m) rail centers.



(Dwg. MHP1711)

Bridge and end truck

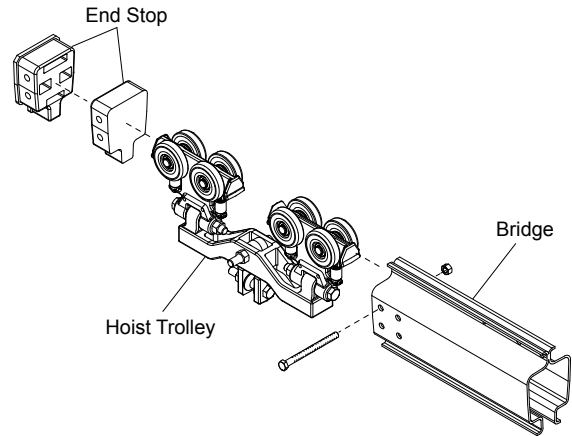
1. Assemble end trucks with the bridge as shown in the figure. Refer the GA drawing for the location dimensions.
2. To ensure correct installation of bridge, there should be one person at each end.
3. Raise Bridge to runways and slide wheels on both end trucks simultaneously into open ends of runway track.
4. After bridge is in place on the runway, it is important that runway end stops be installed immediately. This will prevent the bridge from accidentally rolling off the open end.
5. Install end stop on one end of bridge, leaving the other end open for hoist, positioner or handling device trolley installation.
6. Rail systems technical manual forms 16600462 can be referred for different types of end trucks depending upon the rail combinations and capacity requirements.



(Dwg. MHP3348)

■ Trolley

1. Insert hoist trolley into open end of bridge and immediately install end stop.
2. Rail systems technical manual form 16600462 can be referred for different types of trolley installations depending upon the rail combinations and capacity requirements.



(Dwg. MHP3343)

TESTING THE INSTALLATION

WARNING

- **Never lift a test load while standing under or in close proximity to the lifting device, bridge rail or connected assemblies.**

CAUTION

- **If any problems occur during the testing process, immediately lower the load. Remove the tension from the lifting devices, then correct the problem.**
 - **Limit system access to personnel who have read this manual and are authorized in the installation, operation, maintenance and/or repair of the system.**
1. Prior to conducting test procedures, clear all unauthorized personnel from the installation site.
 2. All personnel in the testing area should wear appropriate safety equipment while testing procedures are in progress.
 3. Use the inspection checklist provided to prevent overlooking a potential hazard.

Step 1

Verify that bridge, hoist, positioner or handling device move freely throughout the entire intended work space without binding.

Step 2

Lift a test load while standing clear of the system. This load should be 1/4 the maximum load. Notice any problems that may occur while lifting this load. Repeat Step 1 with this load. At each testing step, correct any problems that may occur while testing the system, and retest if necessary before continuing to the next step. If you encounter a problem you do not know how to correct, call your nearest **Ingersoll Rand** office or distributor.

Step 3

Repeat Steps 1 and 2, lifting the maximum rated load. Correct any problems that may occur while lifting this load, and retest if necessary before putting the system into service. If you encounter a problem you do not know how to correct, call your nearest **Ingersoll Rand** office or distributor.

NOTICE

- **After successfully lifting and positioning the maximum rated load and completing the testing procedure, the system is ready to operate.**

GENERAL INSPECTION

The **Ingersoll Rand** Free Standing Workstation Crane requires a visual inspection before each shift, and a thorough inspection at least every six months. If problems are found, ensure corrective procedures are completed prior to continuing Free Standing Workstation Crane operation.

1. Keep proper records of the date, time and personnel responsible for each inspection.
2. Visually examine the system for wear or abrasion due to movement or motion.
3. Check to see if any parts show signs of excessive wear or damage.
4. Check rail system adjustment. Verify alignment and level to specifications.
5. Inspect all load bearing devices including clamps, swivels, brackets, bolts and nutplates for wear or fatigue due to system use.
6. Check column to beam connection for sign of wears, loosening or corrosion.
7. Check all end stops or rail attachments for damage in the areas around capscrews.
8. Inspect all runway and bridge assemblies for ridges caused by wear. If ridges are apparent, the rail section must be replaced.
9. Inspect all truck and trolley assemblies for worn guide wheels and bearings.
10. Inspect all threaded items and replace those with damaged threads.
11. Check to see if any minor parts show signs of wear, overloading, or undue stress.
12. Inspect all disassembled parts to determine their fitness for continued use.
13. Check hoist or Balancer and the bracket that secures it to the trolley. Follow manufacturers' manuals and inspection procedures for these devices.
14. Do not reuse locknuts.

MAINTENANCE

The Free Standing Workstation Crane requires periodic inspection of suspension hardware and all bolted connections.

⚠ WARNING

- **Never perform maintenance on the system while it supports a load.**

⚠ CAUTION

- **Any operating problems such as a change in rolling effort or unusual noises must be identified and corrected immediately.**

Retighten all bolt connections (suspension hardware, trolleys, attached hardware, etc.) two weeks after installation and again after two months of operation.

The maintenance schedule below is provided to minimize problems and identify component wear. This chart should be used based on system use and/or local requirements for safe operation. This schedule does not contain daily inspections that may be required by local regulations.

If there are problems with the rail system (worn or damaged components) and replacement is required, refer to appropriate parts list to order replacements. Some components can only be ordered as complete assemblies. If they are worn or damaged, the complete assembly must be replaced, not just the worn parts.

Component	Inspect For	Maintenance Procedure	Interval	
			6 months	12 months
Complete rail system	General condition (roll resistance, rough operation).	Clean and realign system components.	X	
Free Standing Work Station Crane / Rail system suspension	Loose mountings, wear or damage.	Tighten or replace mountings.		X
	Loose bolted connections.	Tighten bolts.		X
Column to Beam Connection Kit	Loose clamp connections.	Tighten or replace.		X
	Corrosion.	Replace		X
Runway rails and bridge rails	Loose bolted clamp connections.	Tighten clamp bolts.		X
	Loose bolted rail clamping connections.	Tighten connections.		X
	Suspension wear.	Replace worn components.		X
	Loose connections.	Tighten connections.		X
Rail system splices and end stops	Loose bolted connections.	Tighten splice and end stop bolts.		X
	Improper joint alignment.	Realign joints.		X

■ Cleaning

It is important to schedule a periodic cleaning of the Overhead Rail System and its parts.

Frequency of cleaning cycles will depend on the use of the system, the personnel operating the system, and the environment the system is installed in. Protecting the system and its surfaces from abuse, wear, decay, or other harm, will improve its appearance and service life.

In very harsh environments moisture and contaminants can quickly destroy the integrity of the system. Although the system is made mostly corrosion resistant, moisture, humidity, and chemicals in time take their toll. The maintenance and preservation of the bridges, rails and suspension devices are just as necessary as the maintenance of any equipment whether it be electrical or mechanical.

Use the following procedures to clean the components of the Overhead Rail System

1. Clean all hanger assemblies with LUBRI-LINK-GREEN® or spray-on WD40® and dry with compressed air.
2. Clean all trucks and trolleys using suitable cleaner. Dry using low-pressure, filtered, compressed air.

The trolley wheels have anti-friction bearings which are lubricated for life and only require replacement parts under extreme conditions. If these wheels must be replaced, they can be ordered separately - there is no need to replace the entire assembly.

⚠ CAUTION

- **During maintenance, tag system:**
“CAUTION - DO NOT OPERATE - EQUIPMENT UNDER REPAIR”.
- **Do not attempt to repair system parts. Replace part or consult an authorized Ingersoll Rand service center.**
- **Do not re-use locknuts, install new locknuts.**
- **Only allow personnel trained in operation and maintenance of the system to perform service.**

NOTICE

- **Visually inspect system before each shift for wear or damage.**
- **Advise supervisor or maintenance personnel, according to company policy or procedure, of any needed maintenance. Replace all damaged system components. Record all inspection, cleaning, maintenance and repair.**
- **After performing maintenance, test system to its rated capacity before returning to service.**

3. Remove accumulated dirt, sediment, and corrosion on the metal plates, bushings, rollers and pins.

⚠ WARNING

- **Solvents and certain cleaning solutions may be hazardous to your health. Beware of mixing cleaners or solvents and the vapors they produce. Use adequate ventilation. Wear protective clothing, goggles, gloves, and other appropriate safety wear. Follow manufacturers directions.**

⚠ CAUTION

- **Clean up all excess cleaning fluids, Oil, Grease or spills immediately after they occur.**

NOTICE

- **During routine cleaning always check for worn, damaged, or broken parts needing replacement.**

GENERAL SYSTEM DISASSEMBLY

Never disassemble components or assemblies further than necessary to accomplish the needed repair. If excess force is used, a good part can be damaged during the course of disassembly. Do not use heat to free parts unless they are already worn or damaged beyond repair, and no additional damage will occur to other parts. As a general rule the channel that makes up the rail and bridge sections should be removed by disassembling the separate pieces at the spliced joints. In instances where the rail or bridge sections must be removed in complete assemblies, use a safety cable or chain to restrict the distance a section may fall when removed. Review all safety procedures listed in the preceding chapters to familiarize yourself with safety issues and precautions.

⚠ CAUTION

- **Never disassemble the system alone. Always have someone help you.**

1. Shut off and bleed down air supply.
2. Disconnect the air supply from the bridge air stanchion and runway air regulator.
3. Remove one end stop from the bridge section.
4. Remove the festooning, hoist, positioner or lifting device from the bridge section.
5. Remove an end stop from one end of each runway.
6. Remove the bridge section and festooning trolleys.
7. Remove safety cables from the runways.
8. Loosen mounting tabs on I-Beam clamp.
9. Remove rail section.
10. Repeat for opposite side.

TROUBLESHOOTING

This section provides basic troubleshooting information. Specific causes to problems are best identified by thorough inspections performed by personnel instructed in safety, operation and maintenance of this equipment. The chart below provides a brief guide to common rail symptoms, probable causes and remedies.

Symptom	Cause	Remedy
Change in rolling effort or erratic operation.	Dirt or obstruction in rail.	Clean all parts and inspect for wear.
	Damaged or bent rail.	Inspect all parts and replace those that are damaged. Determine cause of damage prior to operation.
	Misaligned bridge or runway.	Check for loose or broken fasteners. Tighten if loose or replace if broken. Check alignment.
	Worn or damaged trolley wheels and/or guide rollers.	Inspect wheels and rollers. Replace damaged parts.
	Spliced sections misaligned.	Ensure inside running surfaces at the splice are flush and aligned.
Unusual noises.	Broken trolley guide roller and/or wheel.	Inspect and replace damaged parts.
	Dirt or obstruction in rail.	Clean all parts and inspect for wear.
Load Creeping.	Runway or bridge not level.	Level components to specifications.
	Runway or bridge overloaded.	Reduce load to within rated capacity.
Hoist, positioner or handling device malfunctioning	Leaking or damaged air hose, fittings or electrical cable.	Check and repair leaks. Tighten fittings if loose. Replace electrical cable. Refer to hoist, positioner or handling device service manual for additional repair instructions.

WARRANTY

Ingersoll Rand Limited Warranty

Ingersoll Rand Company ("IR") warrants to the original user its material handling products ("Products") to be free of defects in material and workmanship for a period of one year from the date of purchase. **IR** will, at its option either (1) repair, without cost, any Product found to be defective, including parts and labor charges, or (2) replace such Products or refund the purchase price, less a reasonable allowance for depreciation, in exchange for the Product. Repairs or replacements are warranted for the remainder of the original warranty.

If any product proves defective within its original one-year warranty period, it should be returned to any Authorized Product Service Distributor, transportation prepaid with proof of purchase or warranty card. This warranty does not apply to Products which **IR** has determined to have been misused or abused, improperly maintained by the user, or where the malfunction or defect can be attributed to the use of non-genuine **IR** repair parts.

IR MAKES NO OTHER WARRANTY, CONDITION OR REPRESENTATION OF ANY KIND WHATSOEVER, EXPRESSED OR IMPLIED, STATUTORY OR OTHERWISE, AND ALL IMPLIED WARRANTIES AND CONDITIONS RELATING TO MERCHANTABILITY AND FITNESS FOR A PARTICULAR PURPOSE, ARE HEREBY DISCLAIMED.

IR's maximum liability is limited to the purchase price of the Product and in no event shall **IR** be liable for any consequential, indirect incidental or special damages of any nature arising from the sale or use of the Product, whether in contract, tort or otherwise.

Note: Some states do not allow limitations on incidental or consequential damages, so that the above limitations may not apply to you. This warranty gives you specific legal rights and you may also have other rights which may vary from state to state.

For additional information or quotations for warranties falling outside of these parameters, please contact your Client Services Representative with your requirements.

IMPORTANT NOTICE

It is our policy to promote safe delivery of all orders.

This shipment has been thoroughly checked, packed and inspected before leaving our plant and receipt for it in good condition has been received from the carrier. Any loss or damage which occurs to this shipment while en-route is not due to any action or conduct of the manufacturer.

Visible Loss or Damage

If any of the goods called for on the bill of lading or express receipt are damaged or the quantity is short, do not accept them until the freight or express agent makes an appropriate notation on your freight bill or express receipt.

Concealed Loss or Damage

When a shipment has been delivered to you in apparent good condition, but upon opening the crate or container, loss or damage has taken place while in transit, notify the carrier's agent immediately.

Damage Claims

You must file claims for damage with the carrier. It is the transportation company's responsibility to reimburse you for repair or replacement of goods damaged in shipment. Claims for loss or damage in shipment must not be deducted from the **Ingersoll Rand** invoice, nor should payment of **Ingersoll Rand** invoice be withheld awaiting adjustment of such claims as the carrier guarantees safe delivery.

You may return products damaged in shipment to us for repair, which services will be for your account and form your basis for claim against the carrier.

INFORMACIÓN DE SEGURIDAD

Este manual brinda información importante para todo el personal que participa en la instalación, la operación y el debido mantenimiento sin riesgos de esta grúa puente para estación de trabajo. Aun cuando se sienta familiarizado con este equipo u otro similar, debe leer este manual antes de operar la grúa puente para estación de trabajo.

⚠️ ADVERTENCIA

- **No use la grúa puente para estación de trabajo para elevar, apoyar ni transportar personas. No use el sistema para elevar ni apoyar cargas sobre personas. Opere, revise y mantenga siempre este equipo de acuerdo con los códigos y reglamentos de seguridad de aplicación.**
- **El equipo que se muestra en este manual está diseñado únicamente para uso industrial. Use solo componentes Ingersoll Rand en la instalación. Todos los componentes Ingersoll Rand se someten a pruebas y certifican conforme con las normas de seguridad de aplicación.**

AVISO

- **Este manual contiene información importante sobre seguridad, instalación, operación y mantenimiento. Ponga este manual a disposición de todas las personas responsables de la instalación, la operación y el mantenimiento de estos productos.**

■ Señales de alerta

En este manual hay pasos y procedimientos que, si no se cumplen, pueden ocasionar un peligro. Las siguientes palabras de aviso se usan para identificar el nivel del peligro potencial.

⚠️ PELIGRO

Indica una situación peligrosa inminente, la cual, si no se evita, ocasionará la muerte o lesiones graves.

⚠️ ADVERTENCIA

Indica una situación potencialmente peligrosa, la cual, si no se evita, podría ocasionar la muerte o lesiones graves.

⚠️ CUIDADO

Indica una situación potencialmente peligrosa, la cual, si no se evita, posiblemente ocasione lesiones menores o moderadas o daños a la propiedad.

AVISO

Indica información o una política de la empresa que se relaciona directa o indirectamente con la seguridad del personal o la protección de la propiedad.

■ Resumen de seguridad

⚠️ ADVERTENCIA

- **No use la grúa puente para estación de trabajo para elevar, apoyar ni transportar personas.**
- **Consulte a un ingeniero de estructuras matriculado para decidir la idoneidad de este producto para condiciones sísmicas.**

AVISO

- **El equipo de elevación y manipulación está sujeto a diferentes reglamentos en cada región. Estos reglamentos pueden no estar especificados en este manual.**
- **El sistema de grúa puente está diseñado únicamente para uso en interiores. Para otras aplicaciones, comuníquese con la fábrica.**

El Manual de Prevención de Accidentes para Operaciones Industriales, octava edición, del Consejo Nacional de Seguridad y otras fuentes de seguridad reconocidas coinciden en este punto: Se debe ordenar a los empleados que trabajan cerca de cargas suspendidas o que ayudan a enganchar o acomodar una carga que no permanezcan debajo de la carga. Desde el punto de vista de la seguridad, un factor es primordial: llevar a cabo todas las operaciones de elevación de manera tal que si un equipo fallara, ningún integrante del personal resulte lesionado. Esto implica no permanecer debajo de una carga elevada y alejarse de la línea de fuerza de cualquier carga.

La Ley de Seguridad y Salud Ocupacional (OSHA) de 1970 en general hace recaer la responsabilidad del cumplimiento en el propietario/empleador, no en el fabricante. Muchos requisitos de la OSHA no se ocupan o no están relacionados con el producto fabricado pero, en cambio, están relacionados con la instalación final. Es responsabilidad del propietario y del usuario determinar la idoneidad de un producto para cualquier uso en particular. Se recomienda que todos los reglamentos de aplicación a nivel industrial, federal, estatal, local y de asociaciones comerciales sean revisados. Lea todas las instrucciones y advertencias sobre la operación antes de operar el equipo.

Aparejos: Es responsabilidad del operario tener precaución, usar el sentido común y estar familiarizado con las técnicas de aparejos correctas. Consulte la norma ASME B30.9 para obtener información sobre aparejos, American National Standards Institute, 1430 Broadway, Nueva York, NY 10018.

Este manual fue elaborado por **Ingersoll Rand** para brindar a los distribuidores, los mecánicos, los operarios y el personal de la empresa la información necesaria para instalar, operar, mantener y reparar los productos que se describen en el presente.

Es sumamente importante que los mecánicos y los operarios estén familiarizados con los procedimientos sobre mantenimiento de estos productos, o productos parecidos o similares, y que físicamente puedan realizar los procedimientos. Este personal debe tener un conocimiento laboral general que incluye:

1. Uso y aplicación seguros y correctos de las herramientas manuales comunes mecánicas y también de las herramientas especiales de **Ingersoll Rand** o de las herramientas recomendadas.
2. Procedimientos de seguridad, precauciones y hábitos de trabajo establecidos por las normas industriales aceptadas.

Ingersoll Rand no puede saber, ni proporcionar, todos los procedimientos mediante los cuales se pueden realizar las operaciones o reparaciones de los productos y los peligros y/o resultados de cada método. Si se llevan a cabo procedimientos de operación o de mantenimiento que el fabricante no recomendó específicamente, se debe garantizar que la seguridad del producto no se ponga en riesgo mediante las acciones llevadas a cabo. Si no se está seguro de un procedimiento o paso de operación o mantenimiento, el personal debe colocar el producto en una condición segura y comunicarse con supervisores y/o **Ingersoll Rand** para obtener asistencia técnica.

⚠️ ADVERTENCIA

- **Las carrileras de más de 8 ft (2,4 m) de largo pueden requerir un dispositivo de elevación por separado durante la instalación. Fije apropiadamente la carrilera o puente al dispositivo de elevación y conecte un cable de seguridad a la carga en caso de que se produzca una liberación accidental del dispositivo de elevación.**
- **Si se utiliza un láser de nivelación, use protección ocular apropiada y siga las instrucciones de los fabricantes y las precauciones de seguridad cuando use el dispositivo.**
- **Asegúrese de que todas las escaleras o los andamiajes que usa el personal de instalación sean confiables y capaces de soportar el peso combinado del instalador y el equipo.**
- **Cuando determine el peso total de la carga suspendida, incluya todos los polipastos, posicionadores, dispositivos de manipulación, cubetas, ganchos, etc. El peso total de la carga suspendida no debe exceder la capacidad de carga indicada en el riel.**
- **Se brinda un margen de 15% de la capacidad nominal para el peso del polipasto y el carro. También se proporciona un margen adicional del 25% de la carga nominal para la carga de impacto provocada por el uso del polipasto. La velocidad del polipasto debe ser menos de 50 fpm (pies por minuto).**

INSTRUCCIONES DE OPERACIÓN SEGURA

Las siguientes advertencias e instrucciones de operación tienen como fin evitar prácticas de operación riesgosas que podrían resultar en lesiones o daños a la propiedad.

Ingersoll Rand reconoce que la mayoría de las empresas que usan sistemas de rieles tienen un programa de seguridad implementado en sus instalaciones. En el caso de que exista algún conflicto entre una regla establecida en esta publicación y una regla similar ya establecida por una empresa en particular, prevalecerá la que sea más rigurosa de las dos. Las capacidades de carga se marcan a ambos lados del riel del puente y son visibles con claridad para el operario. **Ingersoll Rand** establece estas capacidades a través de pruebas exhaustivas.

La operación de la grúa debe respetar las reglas y las prácticas de seguridad comprobadas que se describen en las normas de seguridad vigentes y de aplicación dispuestas por el ANSI y la OSHA.

Las Instrucciones de operación segura se brindan para poner en conocimiento al operario de las prácticas peligrosas que debe evitar y que no necesariamente se limitan a la siguiente lista. Consulte las secciones específicas del manual para obtener información de seguridad adicional.

1. Solo permita que personal capacitado en seguridad y operación de este sistema de rieles opere y mantenga este sistema.

2. Cuando se coloca el cartel **"NO OPERAR"** en el sistema de rieles, no lo use hasta que se hayan finalizado las reparaciones o los ajustes y que el personal designado haya quitado este cartel.
3. Antes de cada turno, revise visualmente el sistema de rieles para detectar desgaste y daños. Nunca use un sistema de rieles cuando la inspección indique que está desgastado o dañado.
4. Nunca supere la capacidad nominal del sistema de rieles. Consulte las etiquetas adosadas al sistema de rieles.
5. Nunca supere la velocidad máxima del polipasto. Consulte las etiquetas adosadas al sistema de rieles.
6. Preste atención a las cargas suspendidas del sistema de rieles en todo momento.
7. Asegúrese de que no haya nadie en el trayecto de la carga. No eleve una carga sobre personas.
8. Nunca use el sistema de rieles y el equipo conectado para elevar o bajar personas, y no permita que nadie se pare sobre una carga suspendida.

9. No haga oscilar una carga suspendida.
10. Nunca suspenda una carga durante un período prolongado.
11. Nunca deje una carga suspendida sin atención.
12. Nunca suelde ni corte una carga suspendida del sistema de rieles.
13. No opere el sistema de rieles si se produce un atascamiento, una sobrecarga o una obstrucción.
14. Evite colisionar o golpear los componentes suspendidos en el sistema de rieles.
15. Para mover un riel de puente o carro, empuje la carga o el conector de carga.
16. No use topes de extremo para posicionar una carga. La colisión frecuente con los topes de extremo puede provocar mucho desgaste en los componentes de suspensión. Mantenga las cargas empujadas a mano bajo control en todo momento para evitar impactos en los topes de extremo.

TAREAS Y RESPONSABILIDADES DE LOS OPERARIOS

Cuando se opera el producto, los operarios siempre deben usar el equipo de protección personal correspondiente para la operación. Como mínimo, este debe incluir gafas de seguridad, protección auditiva, guantes, calzado de seguridad y casco. También deben usarse otros elementos de seguridad según lo requieran las empresas en particular.

El uso de calzado antideslizante se recomienda si el producto está ubicado en un área que puede tener superficies resbaladizas, con fango o húmedas.



■ Inspecciones

El operario debe realizar inspecciones visuales diarias (frecuentes) al inicio de cada turno, o cuando el producto se usa por primera vez durante cada turno. Consulte la sección "INSPECCIÓN" de este manual, que se proporciona con el producto. El operario no debe realizar inspecciones periódicas ni mantenimiento del producto salvo que el operario haya sido capacitado para realizar esas inspecciones o tareas de mantenimiento, y haya sido designado por el propietario para realizar inspecciones o mantenimiento.

■ Responsabilidades de los operarios

El operario debe recibir instrucciones detalladas de sus tareas y debe comprender la operación del producto, incluso debe estudiar la documentación de los fabricantes. El operario debe comprender muy bien los métodos correctos para amarrar y adosar cargas y debe tener una buena actitud con respecto a la seguridad. Es responsabilidad del operario rehusarse a operar el producto bajo condiciones no seguras.

Es responsabilidad del operario ejercer precaución, usar el sentido común y estar familiarizado con las tareas y los procedimientos de la operación. A los operarios no se les exige hacer tareas de mantenimiento al producto, sin embargo, son responsables de la inspección visual y de la operación del producto.

Los operarios que sientan fatiga o que hayan excedido el período del turno normal deben revisar todos los reglamentos relaciones con respecto a los períodos de trabajo aprobados antes de operar el producto.

Los operarios deben:

1. estar físicamente aptos y no tener problemas de salud que podrían afectar su capacidad para actuar.
2. Estar capacitados en controles del producto y dirección del movimiento de la carga antes de operar el producto.
3. Estar alertas para detectar el posible mal funcionamiento del producto que podría requerir ajustes o reparaciones.
4. Detener la operación si se produce un mal funcionamiento, y avisar de inmediato a sus supervisores para que se pueda llevar a cabo la acción correctiva.
5. Controlar el funcionamiento de los frenos, mediante la elevación de una carga a corta distancia y la liberación de la cadena de operación.
6. Confirmar que se realizaron las inspecciones del producto y los controles de lubricación.

Los operarios:

1. Deben tener percepción de profundidad, campo de visión, audición, tiempo de reacción, destreza manual y coordinación normales para el trabajo que se realiza.
2. NO deben padecer convulsiones, pérdida del control físico, defectos físicos o inestabilidad emocional que podrían ocasionar que las acciones del operario fueran un peligro para él mismo o para otras personas.
3. NO deben operar el producto cuando están bajo los efectos de alcohol o drogas.
4. NO deben operar el producto cuando están bajo el efecto de medicamentos que podrían ocasionar que las acciones del operario fueran un peligro para él mismo o para otras personas.

El operario debe conocer la capacidad del producto durante todas las operaciones. Es responsabilidad del operario garantizar que la carga no exceda la capacidad del producto.

Elementos que deben considerarse como parte de la carga:

- Todos los elementos de amarre/aparejos.
- Choques de cargas que podrían hacer que la carga exceda la capacidad nominal del producto.
- Si este producto se usa en una aplicación de múltiple elevación, asegúrese de que ambas estén al unísono y que una no vaya más rápido o más lento que la otra colocando una sobrecarga cuando corresponda.
- La carga gana peso debido a nieve, escarcha o lluvia.

INFORMACIÓN DE PEDIDO DE PIEZAS

Estos productos están diseñados y construidos para proporcionar un servicio sin problemas, durante mucho tiempo. Oportunamente es posible que se necesite pedir e instalar piezas nuevas para reemplazar las que hayan sido sometidas a desgaste.

Para su comodidad y referencia futura, se recomienda registrar la siguiente información.

Número de modelo _____

Fecha de compra _____

Cuando pida piezas de repuesto, especifique lo siguiente:

1. Número de pieza y descripción de la pieza como se indican en este manual.
2. Cantidad solicitada.

AVISO

- Las mejoras continuas y los avances en el diseño pueden ocasionar cambios en el equipo que no se incluyen en este manual. Los manuales se revisan periódicamente para incorporar cambios. Revise siempre el número de edición del manual que se indica en la tapa para conocer cuál es la última edición.
- Algunas secciones de este manual pueden no corresponder a su producto.
- El uso de otras piezas de repuesto que no sean originales de Ingersoll Rand puede ocasionar peligros de seguridad, disminuir el rendimiento y aumentar el mantenimiento, e invalidará todas las garantías.

■ Política de devolución de productos

Ingersoll Rand no aceptará ningún producto que se devuelva por garantía o servicio salvo que se realicen diligencias previas y se haya proporcionado una autorización por escrito de la ubicación donde se compraron los productos.

Los productos que hayan sido modificados sin la aprobación de Ingersoll Rand, manipulados incorrectamente o sobrecargados no serán reparados ni reemplazados en garantía. Se proporciona una copia impresa de la garantía que se aplica a este producto dentro de la contratapa del manual de información del producto o, en algunos casos, en el manual de piezas.

■ Eliminación



Una vez finalizada la vida útil del producto, se recomienda desarmar el producto, desengrasarlo y separar las piezas por materiales para poder reciclarlas.

Remita todas las comunicaciones a la oficina o el distribuidor de Ingersoll Rand más cercanos.

INTRODUCCIÓN

Las grúas puente independientes para estaciones de trabajo han sido diseñadas para resolver sus necesidades de manipulación de materiales. Una grúa puente independiente para estación de trabajo combinada con un polipasto neumático, polipasto eléctrico, posicionador de carga o dispositivo de manipulación de **Ingersoll Rand** crea la solución óptima para manipulación de materiales. Las grúas puente independientes para estaciones de trabajo cubren áreas rectangulares y se apoyan en el piso. Los sistemas independientes de apoyo en el piso no imponen tensiones sobre la estructura de techo del edificio. La instalación es sencilla y permite una posible reubicación en el futuro.

AVISO

- El polipasto que se usa con esta grúa puente independiente para estación de trabajo debe cumplir con las secciones de ASME B30.16 de aplicación.

CÓDIGO DEL MODELO

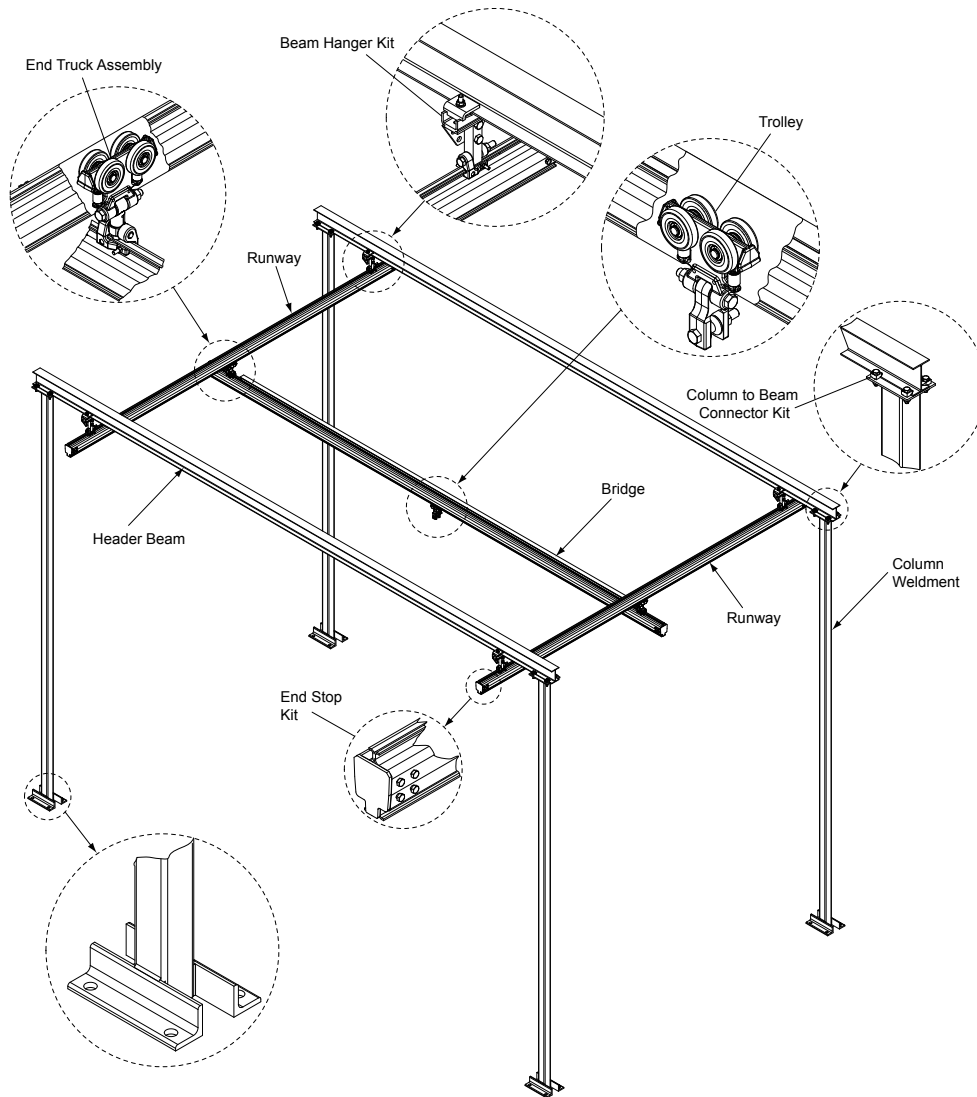
Ejemplo:	E	0000	00	000	00
-----------------	----------	-------------	-----------	------------	-----------

Grúa puente independiente para estación de trabajo					
<p>Capacidad en libras</p> <p>0275 = 275 lb (125 kg) 0550 = 550 lb (250 kg) 1100 = 1100 lb (500 kg) 2000 = 2000 lb (907 kg)</p>					
<p>Longitud del puente en pies</p> <p>05 = 5 ft (1,5 m) 08 = 8 ft (2,4 m) 10 = 10 ft (3,0 m) 15 = 15 ft (4,6 m) 21 = 21 ft (6,4 m) 30 = 30 ft (9,1 m)</p>					
<p>Longitud de la carrilera en pies</p> <p>010 = 10 ft (3,0 m) 015 = 15 ft (4,6 m) 020 = 20 ft (6,0 m) 030 = 30 ft (9,1 m) 040 = 40 ft (12,2 m) 050 = 50 ft (15,2 m) 060 = 60 ft (18,3 m) 070 = 70 ft (21,3 m) 080 = 80 ft (24,4 m) 090 = 90 ft (27,4 m) 100 = 100 ft (30,5 m) 125 = 125 ft (38,1 m)</p>					
<p>Espacio libre debajo del puente, en pies</p> <p>10 = 10 ft (3,0 m) 12 = 12 ft (3,7 m) 14 = 14 ft (4,3 m)</p>					

AVISO

- Consulte el plano **Montaje general** que acompaña la grúa puente independiente para estación de trabajo para obtener las dimensiones.
- Para acceder a información sobre el montaje general y los componentes, consulte el Dibujo MHP3330 en la página 5.

MONTAJE GENERAL Y COMPONENTES



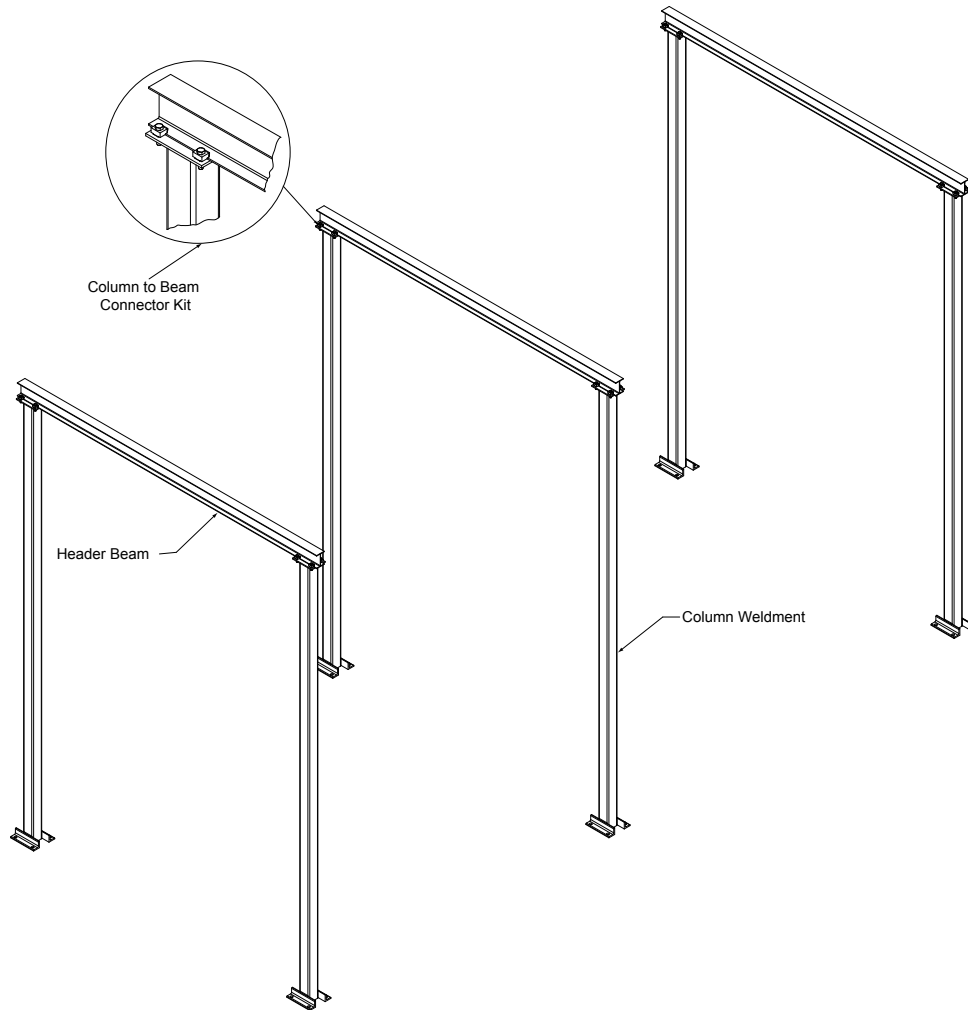
(Dibujo MHP3330)

Componentes del riel Z	Componentes del soporte de piso
Riel del puente	Estructura soldada de columna
Rieles de carrilera (incluye kits de empalme, si fueran necesarios)	Cabecero
Kits de ganchos de viga	Kit de conector de columna a viga
Montaje de bogies de extremo	
Carro del polipasto	
Topes de extremo (para rieles de carrilera y riel de puente)	

AVISO

- Para obtener información de los componentes del riel Z, consulte el manual Información sobre piezas del sistema de rieles de techo, que figura en la sección "DOCUMENTOS RELACIONADOS" en la página 20.
- Para los componentes del soporte de piso, consulte el Dibujo MHP3329 en la página 6.

SOPORTE DE PISO - MONTAJE GENERAL



(Dibujo MHP3329)

AVISO

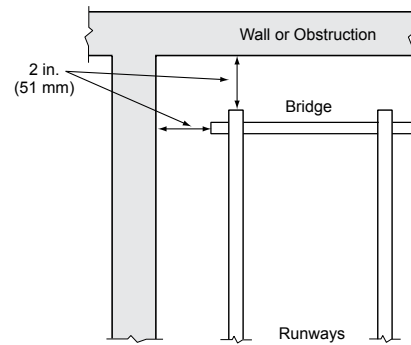
- Consulte en el plano Montaje general, el número de pieza específico relacionado con la grúa puente independiente para estación de trabajo. El plano ha sido suministrado con este producto.

REQUISITOS DE ESPACIO

Tómese el tiempo necesario para seleccionar la mejor ubicación de instalación para gozar del máximo rendimiento de las capacidades del sistema. Asegúrese de que se disponga del espacio adecuado, libre del sistema y los accesorios para no dificultar el tránsito de personas y materiales hacia y desde el área. Asegúrese de que se disponga de espacio libre para la altura de las cargas transportadas y espacio de trabajo necesario.

Defina visualmente dónde se instalará el sistema trazando las carrileras y el puente en el piso del espacio de trabajo, o delimitando el emplazamiento propuesto de las carrileras y el puente en el piso con cinta de enmascarar. Esta maqueta le permitirá desplazarse por la ruta de carga y la trayectoria propuestas.

El espacio libre mural final y lateral tendrá la misma distancia para todos los sistemas de rieles que se describen en este manual. Las distancias entre las carrileras y el puente pueden variar en función del tipo de riel, el gancho o el carro que se utilizarán.



(Dibujo MHP3337)

TRANSPORTE Y ALMACENAMIENTO

⚠ CUIDADO

- **Únicamente personal calificado estará a cargo del transporte. No se asume responsabilidad alguna por los daños que resulten del transporte incorrecto o del almacenamiento incorrecto.**

■ Transporte de los rieles

Los dispositivos de elevación de **Ingersoll Rand** se inspeccionan y se empaquetan adecuadamente antes de la entrega.

1. No arroje ni deje caer este producto.
2. Utilice medios de transporte apropiados. El transporte y los medios de transporte deben ser aptos para las condiciones locales.

AVISO

- **Si hubiere un dispositivo de seguridad para el transporte, quítelo antes de la puesta en servicio.**

■ Almacenamiento

■ Sistema de rieles de aluminio y acero

Almacénelo en un ambiente limpio y seco para evitar la corrosión.

HERRAMIENTAS NECESARIAS

1. Abrazadera en "C"
2. Trinquete reversible accionado por aire/llave de impacto
3. Juego de tubos de impacto/juego de tubos
4. Llave dinamométrica
5. Taladro neumático o eléctrico con brocas según las recomendaciones del proveedor de pernos de anclaje
6. Juego de llaves Allen
7. Instrumentos de nivelación, como nivel de agua, nivel de burbuja, nivel de láser, etc.
8. Cinta métrica
9. Martillo de bola botapasador
10. Mazo de poliuretano
11. Carretilla
12. Escaleras o andamijajes
13. Línea de marcar
14. Cepillo de taller
15. Calzos de acero
16. Fresas de disco
17. Llave combinada o llave de tubo

Durante la instalación, mantenga las piezas y las herramientas al menos a 6 ft (2 m) alejadas del área de trabajo hasta que sean necesarias.

⚠ ADVERTENCIA

- **NO sustituya tuercas autoblocantes por tuercas estándar y arandelas de seguridad. Todos los elementos de sujeción de los sistemas de rieles deben ser de grado 5 o mejores. Solo use elementos de sujeción provistos por Ingersoll Rand. Las tuercas que son de par predominante tienen valores de par determinados.**
- **NO apriete en exceso los elementos de sujeción o los pernos. Si se aprietan en exceso, los elementos de sujeción pueden aflojarse. NO vuelva a utilizar las tuercas autoblocantes.**

AVISO

- **Todos los elementos de sujeción son de rosca estándar con la excepción de las placas giratorias que tienen rosca invertida.**

DOCUMENTOS RELACIONADOS

Este manual debe utilizarse en conjunto con los manuales del producto Sistema de rieles de techo. Consulte:

Estos manuales se pueden descargar de www.ingersollrandproducts.com

- Manual de información de seguridad del sistema de rieles de techo 16600454.
- Manual de información de mantenimiento del sistema de rieles de techo 16600470.
- Manual de información de piezas del sistema de rieles de techo 16600462.
- Manual de información del producto Sistema de rieles de techo 71341101.

INSTALACIÓN

Antes de instalar la grúa puente independiente para estación de trabajo, inspeccione con atención cada componente para detectar posibles daños por el envío.

Para garantizar la instalación segura y correcta de la grúa puente independiente para estación de trabajo, ponga este manual a disposición del instalador.

⚠️ ADVERTENCIA

- La caída de una carga puede causar lesiones o la muerte. Antes de la instalación, consulte la sección "INFORMACIÓN DE SEGURIDAD" de este manual y de otros manuales de sistemas que correspondan.

⚠️ CUIDADO

- Se aconseja a los propietarios y los usuarios que examinen los reglamentos locales específicos y otros, incluidos los reglamentos del ANSI (American National Standards Institute) y/o los de la OSHA que podrían aplicarse a un tipo específico de uso de este producto, antes de instalar o poner en uso un sistema de rieles.

Las etiquetas de capacidad de carga se instalan a ambos lados del puente para que sean claramente visibles para el operario. El peso total de la carga suspendida debe incluir todos los dispositivos de manipulación, el posicionador o el polipasto, los ganchos y los equipos relacionados.

Asegúrese de que el sistema de rieles se haya instalado correctamente. Si dedica algo de tiempo y esfuerzo, contribuirá considerablemente a evitar accidentes y a obtener el mejor servicio posible.

■ Lista de comprobación previa a la instalación

⚠️ ADVERTENCIA

- Revise que en el área de la instalación no haya conflictos con las líneas de suministro de servicios públicos, cables eléctricos aéreos o cualquier otro servicio que podría representar un peligro potencial para el sistema o el personal.
- Los procedimientos de instalación, mantenimiento y desmontaje del sistema requieren de al menos dos personas. Las piezas son demasiado grandes o pesadas para que una persona las manipule con seguridad.

Se debe respetar lo siguiente durante la instalación:

- Todas las piezas metálicas de suspensión y los empalmes deben estar accesibles para los controles de mantenimiento y la inspección posterior a la instalación.
- Todas las construcciones con pernos deben estar completamente ajustadas y con el par de acuerdo con las especificaciones indicadas en la Tabla de especificaciones de par. Consulte en la sección Kit de conector de columna a viga el par de fijación necesario para las abrazaderas en la página 9.

	SÍ	NO
a. ¿Está la ubicación del sistema propuesta lejos de los patrones de tráfico normales del personal?		
b. ¿Podrá el operario ver con claridad la carga a lo largo de su recorrido en todo momento?		
c. ¿Se encuentra la ubicación en un lugar de fácil y seguro acceso en el área de recepción de carga?		
d. ¿Tienen el personal y los materiales acceso despejado hacia y desde el sistema?		
e. ¿El anclaje del sistema de rieles ha sido diseñado por un ingeniero de estructuras matriculado para adecuarse a la instalación?		
f. ¿El sistema entrará en conflicto con las líneas de suministro de servicios públicos, cables eléctricos aéreos o cualquier otro servicio que pudiera representar un posible peligro?		
g. ¿Permite la ubicación propuesta espacio suficiente para el recorrido máximo de carga en la dirección que propone?		
h. ¿Se encuentra la ubicación propuesta en un área que se puede mantener fácilmente limpia y libre de obstrucciones?		
i. ¿Cumplen la ubicación y la instalación propuestas todos los requisitos aplicables de los códigos?		
j. ¿Cumple la capacidad de carga de la grúa puente independiente para estación de trabajo los requisitos de izado de cargas en el área?		

■ Tabla de especificaciones de par

Diá. de perno en pulgadas	Par de ajuste grado 5			
	Seco		Lubricado	
	ft-lb	Nm	ft-lb	Nm
1/4 - 20	8	11	6	8
5/16 - 18	17	23	13	18
3/8 - 16	31	42	23	31
1/2 - 13	76	103	57	77
* 5/8 - 11	150	203	112	151

* Torque value for bolt of Column to Beam Connector Kit is provided separately in Page No. 9.

■ Anclaje del sistema

⚠️ ADVERTENCIA

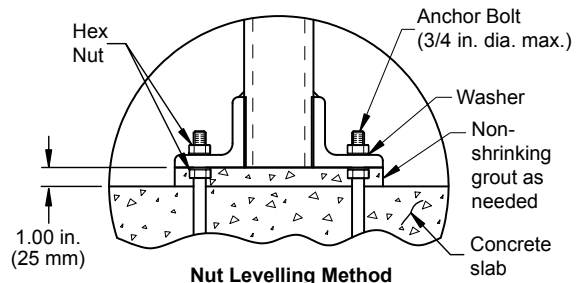
- Para realizar la instalación correcta de un sistema de grúa puente independiente para estación de trabajo se requiere un piso de hormigón armado de al menos 6 in (15,2 cm) de espesor. Ingersoll Rand no asume ninguna responsabilidad por las condiciones de la superficie de montaje. Consulte a un ingeniero de estructuras matriculado antes de instalar el sistema de rieles.
- Se recomienda usar un perno de anclaje químico de 3/4" de diámetro. Debe estar embutido al menos a 4" en el piso. Después del montaje, se recomienda un mínimo de dos roscas sobre la tuerca.
- Los requisitos de cimiento de la grúa puente independiente para estación de trabajo se basan en una presión del suelo de 2500 libras por pie cuadrado. Para el cimiento de la grúa puente independiente para estación de trabajo, se recomienda un hormigón de compresión de al menos 3000 libras por pulgada cuadrada.

AVISO

- Los anclajes de columna deben estar diseñados por un ingeniero de estructuras matriculado, con licencia en el estado en el que se erigirá el sistema. Esto es un requisito para garantizar que se tengan en cuenta las leyes y los códigos de construcción locales, las consideraciones de carga en condiciones sísmicas y variación en las condiciones de la losa de hormigón y del suelo.

■ Método de nivelación de tuercas

- Rosque las 4 tuercas hexagonales inferiores con arandelas en los pernos de anclaje para que la parte superior de las arandelas quede a 1 in (25 mm) por encima de la superficie de montaje.
- Fije la columna sobre los pernos de anclaje y rosque las restantes 4 tuercas hexagonales y arandelas ajustándolas hacia abajo a mano.
- Coloque un nivel sobre una cara de la columna y aplome mediante el ajuste de las tuercas hexagonales en ese lado de la placa base hacia arriba o hacia abajo, según sea necesario.
- Repita el paso 3 en un lado adyacente.
- Vuelva a controlar el lado de la columna aplomado en el Paso n.º 3 y repita los pasos 3, 4 y 5 hasta que ambos lados estén a plomo.
- Ajuste las tuercas hexagonales superiores según el par recomendado por los fabricantes de los pernos de anclaje, y asegúrese de que las tuercas hexagonales inferiores permanezcan fijas.
- Rellene el hueco restante debajo de la placa base con lechada no contraible hasta que la lechada esté a nivel con todos los lados de la placa base.

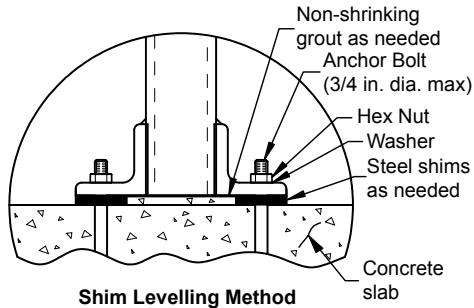


(Dibujo MHP1609)

■ Método de nivelación de calzo

- Fije la columna sobre los pernos de anclaje y rosque las 4 tuercas hexagonales y arandelas ajustándolas hacia abajo a mano.
- Coloque un nivel sobre la cara de la columna y aplome aflojando las tuercas de pernos de anclaje según sea necesario y colocando calzos debajo de la placa base en ese lado de la columna, como sea necesario.
- Repita el paso 2 en un lado adyacente.
- Vuelva a controlar el lado de la columna aplomado en el Paso n.º 2 y repita los pasos 2, 3 y 4 hasta que ambos lados estén a plomo.

- Ajuste las tuercas hexagonales según el par recomendado por los fabricantes de los pernos de anclaje.
- Rellene el hueco restante debajo de la placa base con lechada no contraíble hasta que la lechada esté a nivel con todos los lados de la placa base.

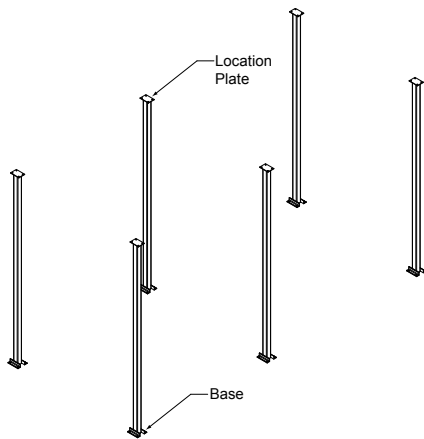


(Dibujo MHP1859)

⚠ ADVERTENCIA

- Si se necesita una rigidez completa del sistema, entonces se requerirán arriostres adicionales (no están incluidos).

■ Estructura soldada de columna

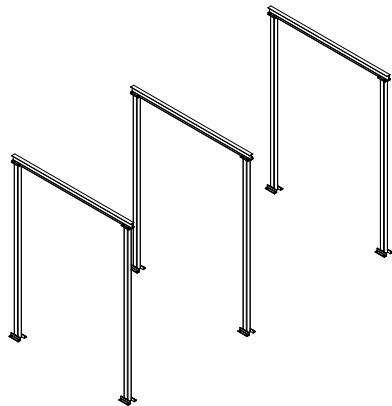


(Dibujo MHP3338)

- Consulte el plano de disposición general adjunto para conocer las dimensiones y ubicaciones de columnas recomendadas.
- Complete la delimitación de las bases de la estructura soldada de columna en el piso. Asegúrese de que la placa de ubicación esté orientada en la dirección correcta, según el plano de disposición general.
- Perfore los orificios y coloque los pernos de anclaje (no están incluidos) y las piezas metálicas de acuerdo con los requisitos y las instrucciones para la instalación del fabricante.
- Posicione las estructuras soldadas de columna en su lugar.
- Aplome las estructuras soldadas de columna con los métodos de nivelación que se indican en la página 8, en la sección Anclaje del sistema.

■ Cabecero

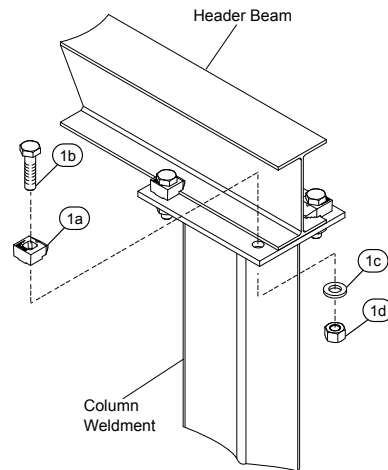
Consulte el Dibujo MHP3341 en la página 9.



(Dibujo MHP3341)

- Levante y posicione el cabecero sobre dos estructuras soldadas de columna seguras. Consulte el plano de disposición general adjunto para conocer las dimensiones y la ubicación del cabecero recomendadas.

- Con el kit de conector de columna a viga adose el cabecero a la estructura soldada de columna. Consulte el Dibujo MHP3331 en la página 9.



(Dibujo MHP3331)

Item N.º	Descripción de la pieza	Cant. total
1	Kit de conector de columna a viga	1
1a	Abrazadera	4
1b	Perno de cabeza hexagonal	4
1c	Arandela plana	4
1d	Tuerca hexagonal	4

AR: como sea necesario

■ Kit de conector de columna a viga

⚠ ADVERTENCIA

- Se debe realizar un control a intervalos regulares para detectar corrosión en los elementos expuestos y también para verificar el par ajustado, tal como se dispone en el programa de mantenimiento.

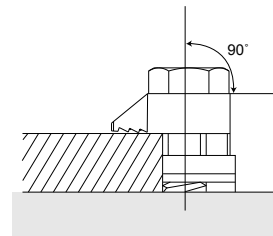
⚠ CUIDADO

- Ingersoll Rand recomienda el uso del kit de conector de columna a viga original de Ingersoll Rand. Las piezas de repuesto pueden representar peligros de seguridad, disminuir el rendimiento, aumentar el mantenimiento y pueden invalidar todas las garantías.

■ Instalación de abrazaderas

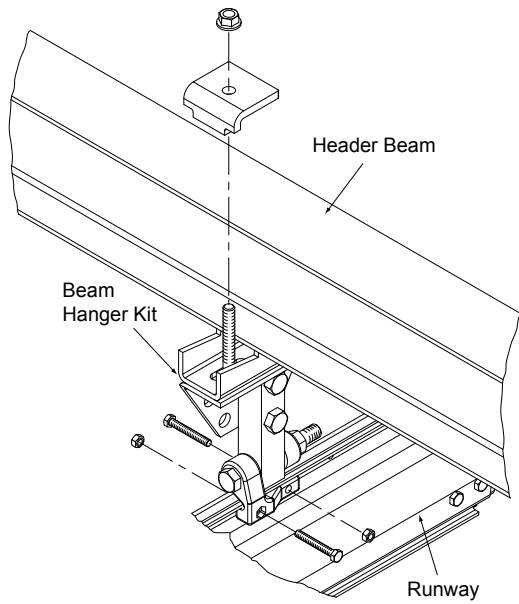
La instalación debe llevarse a cabo según el Dibujo MHP3345 en la página 9. Se debe usar una llave dinamométrica para confirmar que los pernos estén ajustados de acuerdo con el par recomendado (108 ft-lb).

Si bien las abrazaderas se pueden volver a usar, Ingersoll Rand recomienda realizar una inspección exhaustiva para detectar la presencia de corrosión u otros signos de advertencia. Los pernos y las tuercas también deben revisarse para detectar sobreajuste. Cualquier deformación de las roscas sugiere que el perno ha sido sobreajustado y se recomienda que sustituya el perno y la abrazadera.



(Dibujo MHP3345)

■ Carrilera



(Dibujo MHP3347)

1. Consulte el plano de disposición general provisto junto con la grúa puente independiente para estación de trabajo para obtener las dimensiones recomendadas y ubicar los kits de ganchos de viga en la figura.
2. Monte la carrilera en el cabecero usando los ganchos de viga como se muestra en la figura.
3. Alinee las carrileras usando un dispositivo de nivelación estándar. Consulte la sección 'Alineación' en la página 23.
4. Para la instalación de los empalmes, los topes de extremo, los cables de seguridad, consulte el plano de disposición general y el manual Información del producto Sistema de rieles de techo, que se indica en "DOCUMENTOS RELACIONADOS" en la página 20.
5. Asegúrese de que los topes de extremo no estén montados antes de montar el conjunto de puente, bogie de extremo y carrilera.

■ Alineación

Consulte el Dibujo MHP1613 en la página 10.

1. Coloque un nivel en cada carrilera entre los ganchos y nivele las carrileras.
2. Coloque una pieza recta de material entre las carrileras y nivele las carrileras entre sí. En la mayoría de las aplicaciones, una sección de riel vacía puede usarse como guía. Si se usa un láser para nivelar el sistema, use el borde superior externo del canal del riel como guía.

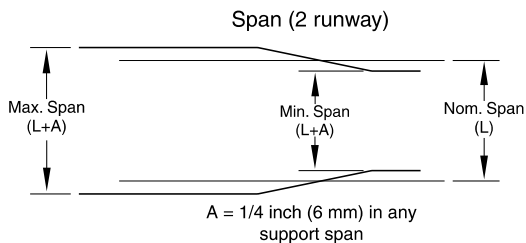
Las grúas puente independientes para estaciones de trabajo de **Ingersoll Rand** deben instalarse a nivel y paralelas, como se describe en estas instrucciones.

⚠ ADVERTENCIA

- **No cumplir con estas especificaciones puede anular la garantía y puede ocasionar el desgaste acelerado de los componentes y, posiblemente, la falla de los componentes.**

■ Nivelación longitudinal:

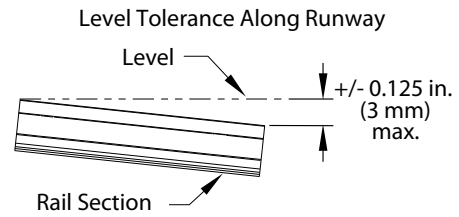
Los sistemas con múltiples carrileras y sistemas de riel único deberán estar a nivel dentro de 0,25 in (6 mm) en toda la longitud. La tasa máxima de cambio no deberá superar las 0,125 in (3 mm) en los centros de 20 ft (6 m).



(Dibujo MHP1613)

■ Elevación (carrilera a carrilera):

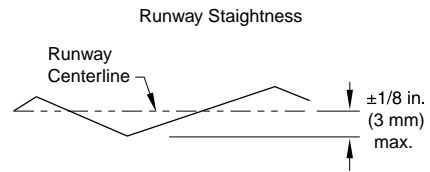
Los sistemas de puente deberán nivelarse a 0,25 in (6 mm) en todo el tramo del puente. La tasa máxima de cambio no deberá superar las 0,125 in (3 mm) en los centros de rieles de 20 ft (6 m).



(Dibujo MHP2283)

■ Centrado de carrilera a carrilera:

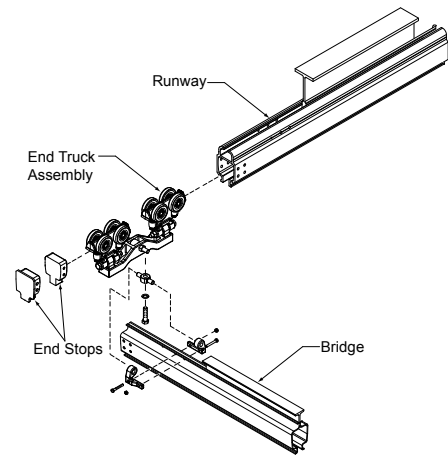
Deberá ser a 0,1875 in (4 mm) en toda la longitud del sistema. La tasa máxima de cambio no deberá superar las 0,125 in (3 mm) en los centros de rieles de 20 ft (6 m).



(Dibujo MHP1711)

■ Puente y bogie de extremo

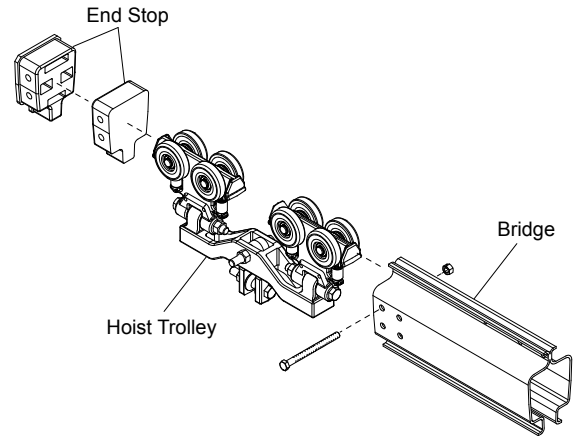
1. Monte los bogies de extremo con el puente, como se muestra en la figura. Consulte el plano de disposición general para ver las dimensiones de la ubicación.
2. Para garantizar la correcta instalación del puente, debe haber una persona en cada extremo.
3. Levante el puente en las carrileras y deslice las ruedas en ambos bogies de extremo de manera simultánea para insertarlas en los extremos abiertos de la vía de carrilera.
4. Una vez que el puente está en su lugar sobre la carrilera, es importante que los topes de extremo de la carrilera se instalen de inmediato. Esto evitará que el puente se deslice accidentalmente y salga por el extremo abierto.
5. Coloque un tope de extremo en un extremo del puente, deje el otro extremo abierto para la instalación del carro del dispositivo de manipulación, posicionador o polipasto.
6. Se pueden consultar los formularios 16600462 del manual técnico de los sistemas de rieles para los diferentes tipos de bogies de extremo, según las combinaciones de rieles y los requisitos de capacidad.



(Dibujo MHP3348)

Carro

1. Inserte el carro del polipasto en el extremo abierto del puente y de inmediato coloque el tope de extremo.
2. Se puede consultar el formulario 16600462 del manual técnico de los sistemas de rieles para los diferentes tipos de instalaciones de carro, según las combinaciones de rieles y los requisitos de capacidad.



(Dibujo MHP3343)

PRUEBA DE LA INSTALACIÓN

ADVERTENCIA

- **Nunca levante una carga de prueba mientras está parado debajo o muy cerca del dispositivo de elevación, riel puente o montajes conectados.**

CUIDADO

- **Si tuviera problemas durante el proceso de prueba, baje de inmediato la carga. Quite la tensión de los dispositivos de elevación, luego corrija el problema.**
 - **Limite el acceso al sistema al personal que haya leído este manual y esté autorizado para la instalación, la operación, el mantenimiento y/o la reparación del sistema.**
1. Antes de realizar los procedimientos de prueba, retire a todo el personal no autorizado del lugar de la instalación.
 2. Todo el personal que se encuentre en el área de pruebas debe usar el equipo de seguridad apropiado mientras se realizan los procedimientos de prueba.
 3. Use la lista de comprobación de inspección suministrada para evitar pasar por alto los peligros potenciales.

Paso 1

Verifique que el puente, el polipasto, el posicionador o el dispositivo de manipulación se muevan libremente por todo el espacio de trabajo sin obstrucciones.

Paso 2

Levante una carga de prueba mientras permanece parado lejos del sistema. Esta carga debe ser de 1/4 de la carga máxima. Tome nota de los problemas que pudieran ocurrir mientras levanta esta carga. Repita el Paso 1 con esta carga. En cada paso de prueba, corrija los problemas que pudieran suceder mientras se prueba el sistema, y repita la prueba si fuera necesario antes de continuar con el siguiente paso. Si encuentra un problema que no sabe cómo corregir, llame a la oficina o al distribuidor de **Ingersoll Rand** más cercanos.

Paso 3

Repita los pasos 1 y 2, levantando la carga máxima permitida. Corrija los problemas que pudieran suceder mientras levanta esta carga, y repita la prueba si fuera necesario antes de poner al sistema en servicio. Si encuentra un problema que no sabe cómo corregir, llame a la oficina o al distribuidor de **Ingersoll Rand** más cercanos.

AVISO

- **Una vez que haya levantado y posicionado satisfactoriamente la carga máxima permitida y haya completado el procedimiento de pruebas, el sistema está listo para funcionar.**

INSPECCIÓN GENERAL

La grúa puente independiente para estación de trabajo de **Ingersoll Rand** requiere una inspección visual antes de cada turno y una inspección completa al menos cada seis meses. Si se detectan problemas, asegúrese de que se realicen procedimientos correctivos antes de continuar usando la grúa puente independiente para estación de trabajo.

1. Mantenga registros adecuados de la fecha, la hora y el personal responsable de cada inspección.
2. Examine visualmente el sistema para detectar desgaste o abrasión por movimiento o desplazamiento.
3. Controle para ver si hay piezas que muestran signos de excesivo desgaste o daños.
4. Controle el ajuste del sistema de rieles. Verifique la alineación y el nivel según las especificaciones.
5. Inspeccione todos los dispositivos de carga, como abrazaderas, eslabones giratorios, soportes, pernos y tuercas, por si están gastados o dañados debido al uso del sistema.
6. Controle la conexión de columna a viga para detectar signos de desgaste, aflojamiento o corrosión.
7. Controle todos los topes de extremo o las fijaciones de rieles para detectar daños en las áreas alrededor de los tornillos.
8. Inspeccione todos los conjuntos de las carrileras y el puente para detectar deformaciones causadas por el desgaste. Si se observan deformaciones a simple vista, deberá sustituirse la sección de riel.
9. Inspeccione todos los conjuntos de carro y bogies para detectar desgaste en ruedas guía y cojinetes.
10. Inspeccione todos los elementos roscados y sustituya los que tengan daños en las roscas.
11. Controle para ver si hay piezas menores que muestran signos de desgaste, sobrecarga, o tensión indebida.
12. Inspeccione todas las piezas desmontadas para determinar su aptitud para el uso continuo.
13. Controle el polipasto o el equilibrador y el soporte que lo asegura al carro. Respete los procedimientos de inspección y de los manuales de los fabricantes para estos dispositivos.
14. No vuelva a usar las tuercas de sujeción.

MANTENIMIENTO

La grúa puente independiente para estación de trabajo requiere la inspección periódica de las piezas metálicas de suspensión y de todas las conexiones con pernos.

⚠ ADVERTENCIA

- **Nunca realice el mantenimiento al sistema mientras sostiene una carga.**

⚠ CUIDADO

- **Cualquier problema en el funcionamiento, como un cambio en el esfuerzo de rodamiento o ruidos inusuales, debe identificarse y corregirse de inmediato.**

Reajuste todas las conexiones con pernos (piezas metálicas de suspensión, carros, piezas metálicas adosadas, etc.) dos semanas después de la instalación y otra vez después de los dos meses de estar en funcionamiento.

El programa de mantenimiento que se indica abajo se brinda para minimizar los problemas e identificar el desgaste de los componentes. Esta tabla debería aplicarse en base al uso del sistema y/o los requisitos locales para el funcionamiento seguro. Este programa no contiene las inspecciones diarias que pueden ser requeridas por los reglamentos locales.

Si hay problemas con el sistema de rieles (componentes desgastados o dañados) y se necesitan hacer sustituciones, consulte la lista de piezas correspondiente para pedir las piezas de repuesto. Algunos componentes solo pueden pedirse como conjuntos completos. Si están desgastados o dañados, se deberá reemplazar el conjunto completo, no solo las piezas gastadas.

Componente	Buscar	Procedimiento de mantenimiento	Intervalo	
			6 meses	12 meses
Sistema de rieles completo	Condición general (resistencia de rodamiento, funcionamiento irregular)	Limpiar y realinear los componentes del sistema	X	
Grúa puente independiente para estación de trabajo/suspensión del sistema de rieles	Montajes sueltos, con desgaste o daños	Ajustar o reemplazar los montajes		X
	Conexiones con pernos flojas	Apretar pernos		X
Kit de conexión de columna a viga	Conexiones con abrazaderas flojas	Ajustar o reemplazarlas		X
	Corrosión	Reemplazar		X
Rieles de carrileras y rieles de puente	Conexiones de abrazaderas con pernos flojas	Apretar pernos de abrazaderas		X
	Conexiones de abrazaderas de rieles con pernos flojas	Apretar las conexiones		X
	Desgaste de suspensión	Reemplazar los componentes desgastados		X
	Conexiones flojas	Apretar las conexiones		X
Empalmes y topes de extremo del sistema de rieles	Conexiones con pernos flojas	Apretar los pernos de los empalmes y los topes de extremo		X
	Alineación de juntas incorrecta	Realinear las juntas		X

■ Limpieza

Es importante programar una limpieza periódica del sistema de rieles de techo y sus piezas.

La frecuencia de los ciclos de limpieza depende del uso del sistema, el personal que opera el sistema y el entorno en el que está instalado el sistema. La protección del sistema y de sus superficies de maltrato, desgaste, deterioro u otros daños mejorará su apariencia y vida útil.

En entornos muy adversos, la humedad y los contaminantes pueden destruir rápidamente la integridad del sistema. Si bien el sistema está fabricado para ser resistente a la corrosión en su mayor parte, la humedad y las sustancias químicas pueden afectarlo con el tiempo. El mantenimiento y la preservación de los puentes, los rieles y los dispositivos de suspensión son tan necesarios como el mantenimiento de cualquier equipo, ya sea eléctrico o mecánico.

Use los siguientes procedimientos para limpiar los componentes del sistema de rieles de techo:

1. Limpie los conjuntos de enganche con LUBRI-LINK-GREEN® o rocíelos con WD40® y séquelos con aire comprimido.
2. Limpie todos bogies y carros con un limpiador apropiado. Seque con aire comprimido, filtrado y de baja presión.

Las ruedas del carro tienen cojinetes antifricción que están lubricados de por vida y solo requieren el reemplazo de piezas en condiciones extremas. Si hay que reemplazar estas ruedas, se pueden pedir por separado: no hay necesidad de reemplazar el conjunto completo.

⚠ CUIDADO

- **Durante el mantenimiento, etiquete al sistema:**

"PRECAUCIÓN: NO OPERAR EL EQUIPO - ESTÁ EN REPARACIÓN".

- **No intente reparar piezas del sistema. Reemplace la pieza o consulte a un centro de servicio Ingersoll Rand autorizado.**
- **No vuelva a usar las tuercas de sujeción, coloque nuevas.**
- **Solo permita que personal capacitado en operación y mantenimiento del sistema realice el servicio.**

AVISO

- **Inspeccione visualmente el sistema antes de cada turno para detectar desgaste o daños.**
- **Avise al supervisor o al personal de mantenimiento, según la política o el procedimiento de la empresa, la necesidad de mantenimiento. Reemplace todos los componentes del sistema dañados. Registre todas las inspecciones, las limpiezas, los mantenimientos y las reparaciones.**
- **Después de realizar el mantenimiento, pruebe el sistema a su capacidad nominal antes de volver a ponerlo en servicio.**

3. Quite la suciedad, los sedimentos y la corrosión que se hayan acumulado en las placas de metal, los cojinetes, los rodillos y los pasadores.

⚠ ADVERTENCIA

- **Los solventes y algunas soluciones de limpieza pueden ser peligrosos para su salud. Tenga precaución con las mezclas de limpiadores o solventes y los vapores que producen. Use ventilación adecuada. Use la vestimenta de protección, gafas, guantes y otros elementos de seguridad apropiados. Respete las instrucciones de los fabricantes.**

⚠ CUIDADO

- **Quite bien todo el exceso de fluidos de limpieza, aceite, grasa o vertidos de inmediato una vez que ocurran.**

AVISO

- **Durante la limpieza de rutina siempre revise si hay piezas gastadas, dañadas o rotas que necesiten reemplazarse.**

DESMONTAJE DEL SISTEMA GENERAL

Nunca desmonte componentes o conjuntos más de lo necesario para realizar la reparación necesaria. Si se utiliza fuerza en exceso, un pieza en buen estado podría dañarse durante el transcurso del desmontaje. No use calor para liberar piezas, salvo que ya estén gastadas o dañadas de manera irreparable, y que ninguna otra pieza pueda resultar dañada. Como regla general, el canal que conforma las secciones de riel y puente debe ser retirado desmontando las piezas por separado en las juntas de empalme. En los casos en los cuales las secciones de rieles o puente deben ser retiradas en conjuntos completos, use un cable de seguridad o cadena para restringir la distancia que podría recorrer al caer una sección cuando es retirada. Revise todos los procedimientos de seguridad indicados en los capítulos anteriores para familiarizarse con cuestiones y precauciones de seguridad.



- Nunca desmonte el sistema solo. Siempre haga que alguien lo ayude.

1. Cierre y drene el suministro de aire.
2. Desconecte el suministro de aire desde el montante de aire de puente y el regulador de aire de la carrilera.
3. Quite un tope de extremo de la sección del puente.
4. Quite los festones, polipasto, posicionador o dispositivo de elevación de la sección del puente.
5. Quite un tope de extremo de un extremo de cada carrilera.
6. Quite la sección del puente y los carros de festón.
7. Quite los cables de seguridad de las carrileras.
8. Afloje las lengüetas de montaje en la abrazadera para viga I.
9. Quite la sección de riel.
10. Repita en el lado opuesto.

RESOLUCIÓN DE PROBLEMAS

Esta sección brinda información básica para resolver problemas. Las causas específicas de los problemas se identifican mejor mediante inspecciones completas realizadas por el personal con capacitación en la seguridad, la operación y el mantenimiento de este equipo. La siguiente tabla brinda una guía breve de los síntomas comunes de rieles, las causas probables y las soluciones.

Síntoma	Causa	Solución
Cambio en el esfuerzo de rodamiento o funcionamiento errático.	Suciedad u obstrucción en el riel.	Limpiar todas las piezas y revisar si hay desgaste.
	Riel dañado o torcido.	Inspeccionar todas las piezas y reemplazar las que están dañadas. Determinar la causa del daño antes de la operación.
	Puente o carrilera mal alineados	Revisar si hay elementos de sujeción sueltos o rotos. Ajustar si están flojos o reemplazarlos si están rotos. Controlar la alineación.
	Ruedas de carro y/o rodillos de guía gastados o dañados.	Inspeccionar las ruedas y los rodillos. Reemplazar las piezas dañadas.
	Secciones de empalme mal alineadas.	Asegurar que las superficies de rodadura internas en el empalme estén a nivel y alineadas.
Ruidos inusuales.	Rodillo guía y/o rueda del carro rotos.	Inspeccionar y reemplazar las piezas dañadas.
	Suciedad u obstrucción en el riel.	Limpiar todas las piezas y revisar si hay desgaste.
Deslizamiento de la carga.	La carrilera o el puente no están a nivel.	Nivelar los componentes según las especificaciones.
	La carrilera o el puente están sobrecargados.	Reducir la carga dentro de la capacidad nominal.
Mal funcionamiento del polipasto, el posicionador o el dispositivo de manipulación.	Daños o fugas en manguera de aire, accesorios o cable eléctrico.	Controlar y reparar las fugas. Ajustar los accesorios si están flojos. Reemplazar el cable eléctrico. Consultar el manual de servicio del polipasto, posicionador o dispositivo de manipulación para obtener más instrucciones de reparación.

GARANTÍA

Garantía limitada de Ingersoll Rand

Ingersoll Rand Company ("IR") garantiza al usuario original de sus productos de manipulación de materiales (los "Productos") que están libres de defectos en material y mano de obra durante un periodo de un año desde la fecha de compra. **IR**, cuando así lo estime conveniente, (1) reparará, sin costo, cualquier Producto defectuoso, incluidos los cargos por piezas y mano de obra, o (2) reemplazará esos Productos o reembolsará el precio de compra, menos una cantidad razonable por depreciación, en cambio del Producto. Las reparaciones o las sustituciones están garantizadas por el tiempo que reste del periodo de la garantía original.

Si se comprueba que un producto es defectuoso dentro del periodo de garantía de un año original, deberá devolverse a cualquier Distribuidor Autorizado de Servicio de Productos, con el transporte pagado previamente y con el comprobante de compra o la tarjeta de garantía. Esta garantía no se aplica a los Productos que, según **IR**, se hayan utilizado de manera incorrecta o abusiva, hayan sido mantenidos inadecuadamente por el usuario, o cuyo mal funcionamiento o defecto pueda atribuirse al uso de piezas de repuesto no originales de **IR**.

IR NO OFRECE NINGUNA OTRA GARANTÍA, CONDICIÓN NI REPRESENTACIÓN DE NINGÚN TIPO, EXPRESA O IMPLÍCITA, ESTABLECIDA POR LEY U OTRO, Y POR LA PRESENTE, SE RENUNCIA A TODAS LAS GARANTÍAS Y CONDICIONES IMPLÍCITAS RELATIVAS A LA COMERCIABILIDAD Y ADECUACIÓN PARA UN PROPÓSITO EN PARTICULAR.

La máxima responsabilidad de **IR** se limita al precio de compra del Producto y, bajo ninguna circunstancia, **IR** será responsable de los daños consecuenciales, indirectos, incidentales o especiales de ningún tipo que surjan de la venta o el uso del Producto, ya sea en contrato, acto ilícito o de otro tipo.

Nota: Algunos estados no permiten limitaciones para daños incidentales o consecuenciales, por lo tanto las limitaciones establecidas antes pueden no ser de aplicación para usted. Esta garantía le otorga derechos legales específicos y usted también puede tener otros derechos que pueden variar según el estado.

Para obtener más información o cotizaciones de garantías que están excluidas de estos parámetros, comuníquese con su representante de Servicios al Cliente con sus requisitos.

AVISO IMPORTANTE

Nuestra política es promover la entrega segura de todos los pedidos. Este envío ha sido controlado, embalado e inspeccionado por completo antes de salir de nuestra planta y se recibió un comprobante de recepción en buenas condiciones por parte del transportista. Toda pérdida o daño que ocurra a este envío mientras se encuentre en ruta no se debe a ninguna acción o conducta del fabricante.

Pérdida o daño visibles

Si alguno de los artículos incluidos en el manifiesto de carga o el albarán del transportista están dañados o la cantidad es inferior, no los acepte hasta que el agente del flete o expreso tome la debida nota en su manifiesto de carga o en el albarán.

Pérdida o daño ocultos

Cuando un envío se le ha entregado en buenas condiciones aparentes, pero al abrir la caja o el contenedor, se detecta pérdida o daños mientras estaba en tránsito, notifique al agente del transportista de inmediato.

Reclamos por daños

Debe presentar los reclamos por daños al transportista. Es responsabilidad de la empresa de transporte reembolsarle la reparación o la sustitución de los artículos dañados durante el transporte. Los reclamos por pérdida o daño durante el transporte no deben deducirse de la factura de **Ingersoll Rand**, ni se deberá retener el pago de la factura de **Ingersoll Rand** mientras se espera el ajuste de dichos reclamos, ya que el transportista garantiza la entrega segura.

Puede devolvernos los productos dañados durante el transporte para su reparación, y estos servicios serán a su cuenta y formarán la base de su reclamo contra el transportista.

RENSEIGNEMENTS EN MATIÈRE DE SÉCURITÉ

Ce manuel fournit des renseignements importants pour tout le personnel impliqué dans l'installation, le fonctionnement et l'entretien correct et en toute sécurité de cette superstructure sur pieds. Même si vous pensez bien connaître cet équipement ou un équipement similaire, vous devez lire ce manuel avant d'utiliser la superstructure sur pieds.

⚠ AVERTISSEMENT

- **Ne pas utiliser cette superstructure sur pieds pour lever, soutenir ou transporter des personnes. Ne pas utiliser le système pour élever ou soutenir des charges au-dessus de personnes. Il convient de toujours utiliser, inspecter et entretenir cet équipement conformément aux codes et réglementations de sécurité applicables.**
- **L'équipement indiqué dans ce manuel est uniquement destiné à une utilisation industrielle. Utiliser uniquement des composants Ingersoll Rand dans l'installation. Tous les composants Ingersoll Rand sont testés et certifiés selon des normes de sécurité applicables.**

AVIS

- **Ce manuel contient des renseignements importants relatifs à la sécurité, l'installation, l'utilisation et l'entretien. Ce manuel doit être mis à la disposition de toutes les personnes responsables de l'installation, de l'utilisation et de l'entretien de ces produits.**

■ Signaux d'alerte

Il existe des étapes et des procédures dans l'ensemble du manuel qui, si elles ne sont pas suivies, peuvent entraîner des dangers. Les termes d'avertissement suivants sont utilisés pour identifier le niveau de danger potentiel.

⚠ DANGER

Indique une situation dangereuse imminente qui, si elle n'est pas évitée, entraînera la mort ou des blessures graves.

⚠ AVERTISSEMENT

Indique une situation potentiellement dangereuse qui, si elle n'est pas évitée, pourrait entraîner la mort ou des blessures graves.

⚠ ATTENTION

Indique une situation potentiellement dangereuse qui, si elle n'est pas évitée, pourrait entraîner des blessures légères ou de gravité modérée ou des dégâts matériels.

AVIS

Indique une information ou une politique de la compagnie qui est directement ou indirectement en rapport avec la sécurité du personnel ou la protection des biens.

■ Synthèse de sécurité

⚠ AVERTISSEMENT

- **Ne pas utiliser cette superstructure sur pieds pour lever, soutenir ou transporter des personnes.**
- **Consulter un ingénieur civil certifié pour décider si ce produit est adapté dans des conditions sismiques.**

AVIS

- **L'équipement de levage et de manutention est soumis à différentes réglementations dans chaque région. Il est possible que ces réglementations ne soient pas spécifiées dans ce manuel.**
- **Le système de grue est conçu pour une utilisation à l'intérieur uniquement. Pour d'autres applications, prière de communiquer avec l'usine.**

Le Conseil de sécurité national, le Manuel de prévention des accidents pour les opérations industrielles, huitième édition et d'autres sources de sécurité reconnues stipulent toutes que : Les employés qui travaillent près de charges suspendues ou aident à accrocher ou à installer une charge doivent être avertis qu'ils ne doivent pas se placer sous la charge. Du point de vue de la sécurité, un facteur est essentiel : mener toutes les opérations de levage de manière à ce qu'en cas de défaillance de l'équipement, aucun membre du personnel ne soit blessé. Ceci signifie qu'il convient de ne pas se tenir sous une charge élevée et hors de la trajectoire de force d'une charge quelconque.

La Loi sur la sécurité et la santé au travail de 1970 (Occupational Safety and Health Act) impose la responsabilité de conformité au propriétaire/à l'employeur et non pas au fabricant. De nombreuses exigences de sécurité et santé au travail ne concernent pas le produit fabriqué ou n'y sont pas liées, mais sont associées à l'installation finale. Le propriétaire et l'utilisateur sont responsables de déterminer si le produit convient à une utilisation spécifique. Nous vous recommandons de vérifier toutes les réglementations industrielles, d'association professionnelle, fédérales, d'Etat et locales. Il convient de lire toutes les instructions et avertissements liés au fonctionnement avant de procéder à l'utilisation.

Élingage : L'opérateur est responsable de prendre toutes les précautions, de faire preuve de bon sens et de connaître les techniques d'élingage appropriées. Consulter la norme ASME B30.9 pour des renseignements relatifs à l'élingage, American National Standards Institute, 1430 Broadway, New York, NY 10018.

Ce manuel a été préparé par **Ingersoll Rand** afin de fournir aux distributeurs, mécaniciens, opérateurs et personnel d'entreprise les renseignements requis pour installer, utiliser, entretenir et réparer les produits décrits dans le présent document.

Il est extrêmement important que les mécaniciens et les opérateurs connaissent les procédures d'entretien de ces produits ou de produits similaires et soient physiquement capables de mener ces procédures. Ce personnel doit avoir des connaissances professionnelles générales incluant :

1. L'utilisation et l'application correctes et en toute sécurité des outils à main courants de mécanicien, ainsi que les outils **Ingersoll Rand** spéciaux ou recommandés.
2. Les procédures de sécurité, précautions et habitudes de travail établies par les normes acceptées de l'industrie.

Ingersoll Rand ne peut pas connaître ou fournir toutes les procédures selon lesquelles les opérations ou réparations de produit peuvent être menées, ainsi que les dangers et/ou résultats de chaque méthode. Si les procédures de fonctionnement ou d'entretien qui ne sont pas spécifiquement recommandées par le fabricant sont menées, il convient de veiller à ce que la sécurité du produit ne soit pas compromise par les actions prises. Si le personnel a des doutes concernant une procédure ou une étape d'utilisation ou d'entretien, il doit placer le produit afin que celui-ci se trouve en sécurité et il doit communiquer avec des supérieurs et/ou **Ingersoll Rand** pour obtenir une assistance technique.

⚠ AVERTISSEMENT

- **Les chemins de roulement de plus de 8 pieds (2,4 m) de longueur peuvent nécessiter un dispositif de levage séparé pendant l'installation. Fixer solidement le chemin de roulement ou pont au dispositif de levage et fixer un câble de sécurité pour la charge en cas de détachement accidentel du dispositif de levage.**
- **Si un niveau laser est utilisé, il convient de porter une protection oculaire appropriée et de suivre les instructions et précautions de sécurité du fabricant lors de l'utilisation de l'appareil.**
- **Veiller à ce que tous les échafaudages ou échelles utilisés par le personnel d'installation soient fiables et capables de supporter le poids combiné de l'installateur et de l'équipement.**
- **Lors de la détermination du poids total de la charge suspendue, il convient d'inclure tous les palans, appareils de manutention, seaux, crochets, etc. Le poids total de la charge suspendue ne doit pas dépasser la charge nominale indiquée sur le rail.**
- **Une marge de 15 % de la capacité nominale est prévue pour le poids du palan et du chariot. En outre, une marge supplémentaire de 25 % de la charge nominale est fournie pour les charges d'impact causées par l'utilisation du palan. La vitesse du palan doit être inférieure à 50 pi/min.**

CONSIGNES D'UTILISATION EN TOUTE SÉCURITÉ

Les avertissements et consignes d'utilisation suivants ont pour but d'éviter les pratiques d'utilisation dangereuses qui peuvent entraîner des blessures ou des dégâts matériels.

Ingersoll Rand reconnaît que la majorité des compagnies qui utilisent les systèmes de rail disposent d'un programme de sécurité en vigueur dans leur installation. En cas de conflit entre une règle stipulée dans cette publication et une règle similaire déjà définie par une compagnie individuelle, la règle la plus stricte des deux prévaudra. Les charges nominales sont marquées sur les deux côtés du rail de pont et l'opérateur peut les voir clairement. Ces charges nominales sont établies par **Ingersoll Rand** suite à des essais approfondis.

L'utilisation de la structure doit suivre les règles et pratiques éprouvées indiquées dans les normes de sécurité ANSI et OSHA applicables et actuellement en vigueur.

Les consignes d'utilisation en toute sécurité sont fournies afin que les opérateurs soient conscients des pratiques dangereuses à éviter et ne sont pas nécessairement limitées à la liste suivante. Consulter les sections spécifiques dans le manuel pour des renseignements supplémentaires en matière de sécurité.

1. Seul le personnel ayant suivi une formation sur la sécurité et l'utilisation de ce système de rail peut utiliser et effectuer l'entretien de ce système.
2. Lorsqu'un panneau « **NE PAS UTILISER** » est placé sur le système de rail, ne pas l'utiliser tant que les réparations ou réglages n'ont pas été terminés et tant que le panneau n'a pas été enlevé par le personnel désigné.
3. Avant chaque période de travail, vérifier visuellement le système de rail pour détecter tout signe d'usure. Ne jamais utiliser un système de rail lorsqu'une inspection indique qu'il présente des signes d'usure ou qu'il est endommagé.
4. Ne jamais dépasser la capacité nominale du système de rail. Consulter les étiquettes fixées sur le système de rail.
5. Ne jamais dépasser la vitesse de levage maximum. Consulter les étiquettes fixées sur le système de rail.
6. Faire attention aux charges suspendues au système de rail à tout moment.
7. Veiller à ce qu'il n'y ait personne sous la trajectoire de la charge. Ne pas soulever une charge au-dessus de personnes.
8. Ne jamais utiliser le système de rail et l'équipement fixé pour soulever ou abaisser des personnes et ne jamais autoriser quiconque à se tenir sur une charge suspendue.
9. Ne pas faire balancer une charge suspendue.

10. Ne jamais suspendre une charge pendant une période de temps prolongée.
11. Ne jamais laisser de charge suspendue sans supervision.
12. Ne jamais souder ou couper de charge suspendue au système de rail.
13. Ne pas utiliser le système de rail si un blocage, une surcharge ou une torsion a lieu.
14. Éviter que les composants suspendus sur le système de rail n'entrent en collision ou ne se heurtent.
15. Pour déplacer un chariot ou un rail de pont, pousser sur la charge ou le connecteur de charge.
16. Ne pas utiliser les butées pour positionner une charge. Des collisions fréquentes avec les butées peuvent entraîner une trop grande usure sur les composants de suspension. Garder le contrôle des charges poussées manuellement à tout moment pour éviter les impacts sur les butées.

DEVOIRS ET RESPONSABILITÉS DES OPÉRATEURS

Lorsqu'ils utilisent le produit, les opérateurs doivent toujours porter des équipements de protection individuels appropriés à l'utilisation. Ils doivent porter au minimum des lunettes de sécurité, un dispositif de protection de l'ouïe, des gants, des chaussures de sécurité et un casque. Les autres articles de sécurité requis par les compagnies individuelles doivent également être utilisés.

L'utilisation de chaussures antidérapantes est recommandée si le produit est situé dans une zone qui peut être boueuse, mouillée ou avoir des surfaces glissantes.



■ Inspections

Des inspections visuelles quotidiennes (fréquentes) doivent être réalisées par l'opérateur au début de chaque période de travail ou au moment où le produit est utilisé pour la première fois au cours de chaque période de travail. Consulter la section « INSPECTION » dans ce manuel, fourni avec le produit. L'opérateur ne doit pas réaliser d'inspections périodiques ni d'entretiens sur le produit sauf s'il a été formé pour réaliser de tels inspections ou entretiens et sauf s'il est nommé par le propriétaire pour réaliser de telles tâches.

■ Responsabilités de l'opérateur

L'opérateur doit être soigneusement averti de son ou de ses devoirs et il doit comprendre le fonctionnement du produit et avoir étudié les documents du fabricant. L'opérateur doit bien comprendre les bonnes méthodes d'élingage et de fixation de charges et doit avoir une bonne attitude concernant la sécurité. L'opérateur est responsable de refuser d'utiliser le produit si les conditions sont dangereuses.

L'opérateur est responsable de faire attention, de faire preuve de bon sens et de connaître les procédures et devoirs liés à l'utilisation.

Toutefois, les opérateurs ne sont pas responsables de l'entretien du produit, mais ils sont responsables de l'utilisation et de l'inspection visuelle du produit.

Les opérateurs qui sont fatigués ou ont dépassé leur période de travail normale doivent vérifier toutes les réglementations concernant les périodes de travail approuvées avant d'utiliser le produit.

Les opérateurs doivent :

1. Être aptes physiquement et ne pas souffrir d'un état de santé qui pourrait affecter leur capacité à agir.
2. Avoir suivi une formation sur les commandes du produit et la direction de mouvement de charge avant d'utiliser le produit.
3. Faire attention à tout dysfonctionnement potentiel du produit qui pourrait nécessiter un réglage ou une réparation.
4. Arrêter l'opération en cas de dysfonctionnement et informer immédiatement le supérieur, afin qu'une action corrective puisse être prise.
5. Vérifier le fonctionnement des freins, en élevant la charge sur une courte distance et en libérant la chaîne en fonctionnement.
6. Confirmer que les inspections du produit et les contrôles de lubrification ont été réalisés.

Les opérateurs doivent :

1. Avoir une perception de la profondeur, un champ de vision, une ouïe, un temps de réaction, une dextérité manuelle et une coordination normale pour le travail réalisé.
2. NE PAS souffrir d'attaques, de perte de contrôle physique, d'incapacités physiques ou d'instabilité émotionnelle qui pourraient créer un danger pour lui-même ou autrui.
3. NE PAS utiliser le produit sous l'influence de l'alcool ou de drogues.
4. NE PAS utiliser le produit sous l'influence de médicaments qui pourraient créer un danger pour lui-même ou autrui.

L'opérateur doit connaître la capacité du produit pendant toutes les opérations. L'opérateur est responsable de veiller à ce que la charge ne dépasse pas la charge nominale du produit.

Les éléments à prendre en compte avec la charge :

- Tous les éléments d'élingage.
- Les effets de choc qui pourraient causer le dépassement par le produit de la capacité nominale.
- Si ce produit est utilisé dans une application à élévations multiples, veiller à ce que les deux soient en harmonie et qu'il n'y ait pas un qui aille plus vite ou plus lentement et impose ainsi une surcharge sur l'autre.
- L'augmentation du poids de la charge en raison de neige, glace ou pluie.

RENSEIGNEMENTS SUR LA COMMANDE DES PIÈCES

Ces produits sont conçus et construits pour fournir une longue durée de vie sans problèmes. Avec le temps, il pourrait être nécessaire de commander et d'installer de nouvelles pièces pour remplacer celles qui ont été soumises à l'usure.

À titre de commodité et de référence future, il est recommandé d'enregistrer les renseignements suivants.

Numéro de modèle _____

Date d'achat _____

Lors de la commande des pièces de rechange, veuillez spécifier les points suivants :

1. Référence(s) et description de la pièce telles que spécifiées dans ce manuel.
2. Quantité requise.

AVIS

- **L'amélioration et l'avancement continus de la conception peuvent entraîner des changements de cet équipement, qui ne sont pas inclus dans ce manuel. Les manuels sont révisés périodiquement afin d'incorporer les changements. Vérifier toujours le numéro d'édition du manuel sur la page de garde pour connaître la dernière version.**
- **Il est possible que certaines sections de ce manuel ne soient pas applicables à votre produit.**
- **L'utilisation de pièces de rechange autres que des pièces Ingersoll Rand authentiques peuvent entraîner des risques, une baisse du rendement et une augmentation de l'entretien et annulera toutes les garanties.**

■ Politique de retour des marchandises

Ingersoll Rand n'acceptera pas de marchandises renvoyées dans le cadre de la garantie ou pour un entretien, sauf si un arrangement préalable a été effectué et qu'une autorisation écrite a été émise par le lieu où les produits ont été achetés.

Les produits ayant subi une modification sans l'approbation d'**Ingersoll Rand**, qui ont été manipulés sans précaution ou surchargés ne seront pas réparés ou remplacés dans le cadre de la garantie. Une copie imprimée de la garantie qui s'applique à ce produit est fournie à l'intérieur de la couverture arrière de ce manuel d'information sur le produit ou dans certains cas, dans le manuel des pièces.

■ Élimination



Lorsque le produit arrive en fin de vie, nous recommandons de le démonter, dégraisser et de séparer les pièces par catégorie, afin de pouvoir les recycler.

Nous vous invitons à communiquer avec votre bureau ou distributeur **Ingersoll Rand** le plus proche.

INTRODUCTION

La superstructure sur pieds a été conçue pour répondre à vos besoins en manutention de matériaux. Une superstructure sur pieds combinée à un palan pneumatique, palan électrique, positionneur de charge ou dispositif de manutention **Ingersoll Rand** crée une solution de manutention de matériaux optimale. La superstructure sur pieds couvre des zones rectangulaires et est soutenue au sol. Les systèmes de support au sol sur pieds n'imposent pas de contraintes sur la structure supérieure du bâtiment. L'installation est simple et permet un déplacement futur.

AVIS

- Le palan utilisé avec cette superstructure sur pieds doit être conforme aux sections applicables de la norme ASME B30.16

CODE DE MODÈLE

Exemple : E 0000 00 000 00

Superstructure sur pieds

Capacité en livres

0275 = 275 livres (125 kg)

0550 = 550 livres (250 kg)

1100 = 1100 livres (500 kg)

2000 = 2 000 livres (907 kg)

Longueur de pont en pieds

05 = 5 pieds (1,5 m)

08 = 8 pieds (2,4 m)

10 = 10 pieds (3,0 m)

15 = 15 pieds (4,6 m)

21 = 21 pieds (6,4 m)

30 = 30 pieds (9,1 m)

Longueur de chemin de roulement en pieds

010 = 10 pieds (3,0 m)

015 = 15 pieds (4,6 m)

020 = 20 pieds (6,0 m)

030 = 30 pieds (9,1 m)

040 = 40 pieds (12,2 m)

050 = 50 pieds (15,2 m)

060 = 60 pieds (18,3 m)

070 = 70 pieds (21,3 m)

080 = 80 pieds (24,4 m)

090 = 90 pieds (27,4 m)

100 = 100 pieds (30,5 m)

125 = 125 pieds (38,1 m)

Sous-dégagement du pont en pieds

10 = 10 pieds (3,0 m)

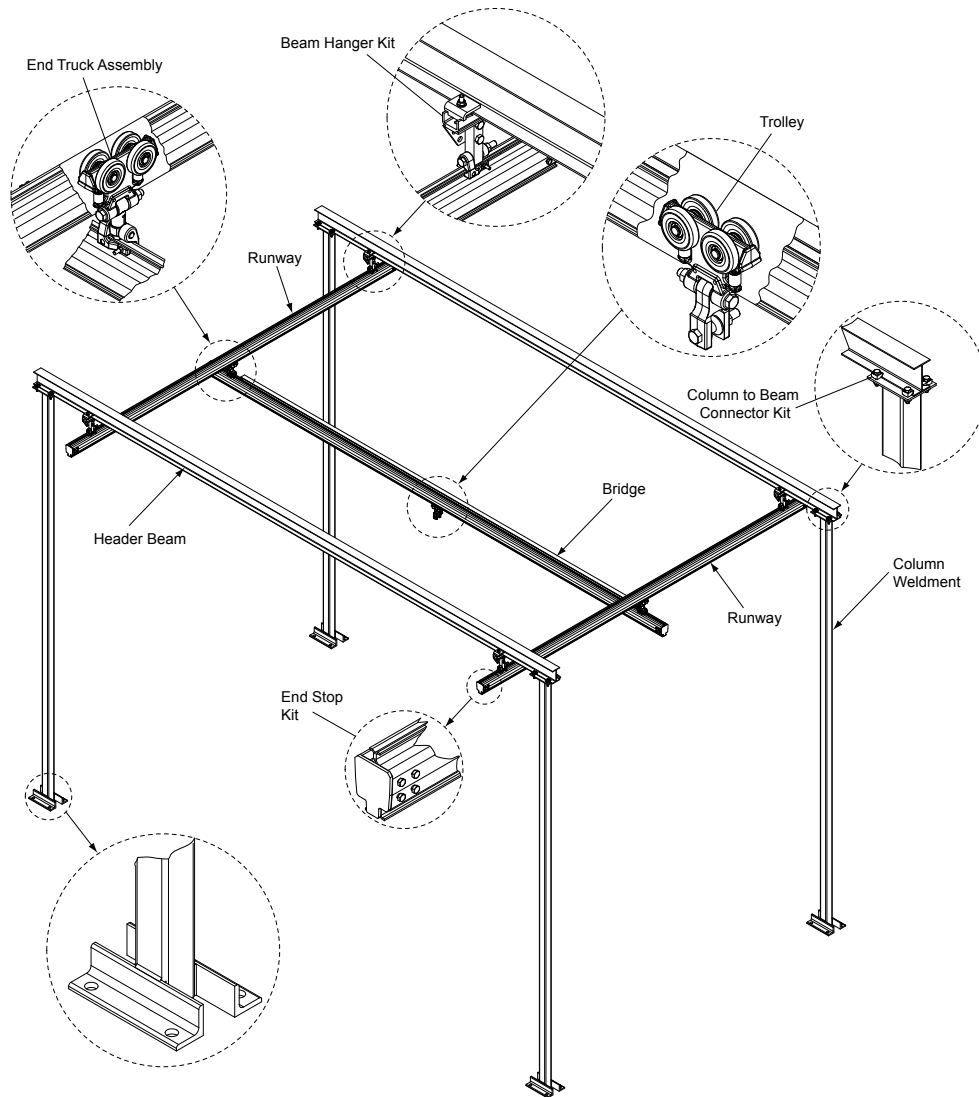
12 = 12 pieds (3,7 m)

14 = 14 pieds (4,3 m)

AVIS

- Consulter le schéma d'assemblage général accompagnant la superstructure sur pieds pour les dimensions.
- Pour l'assemblage général et les composants, consulter Dessin MHP3330 page 5.

ASSEMBLAGE GÉNÉRAL ET COMPOSANTS

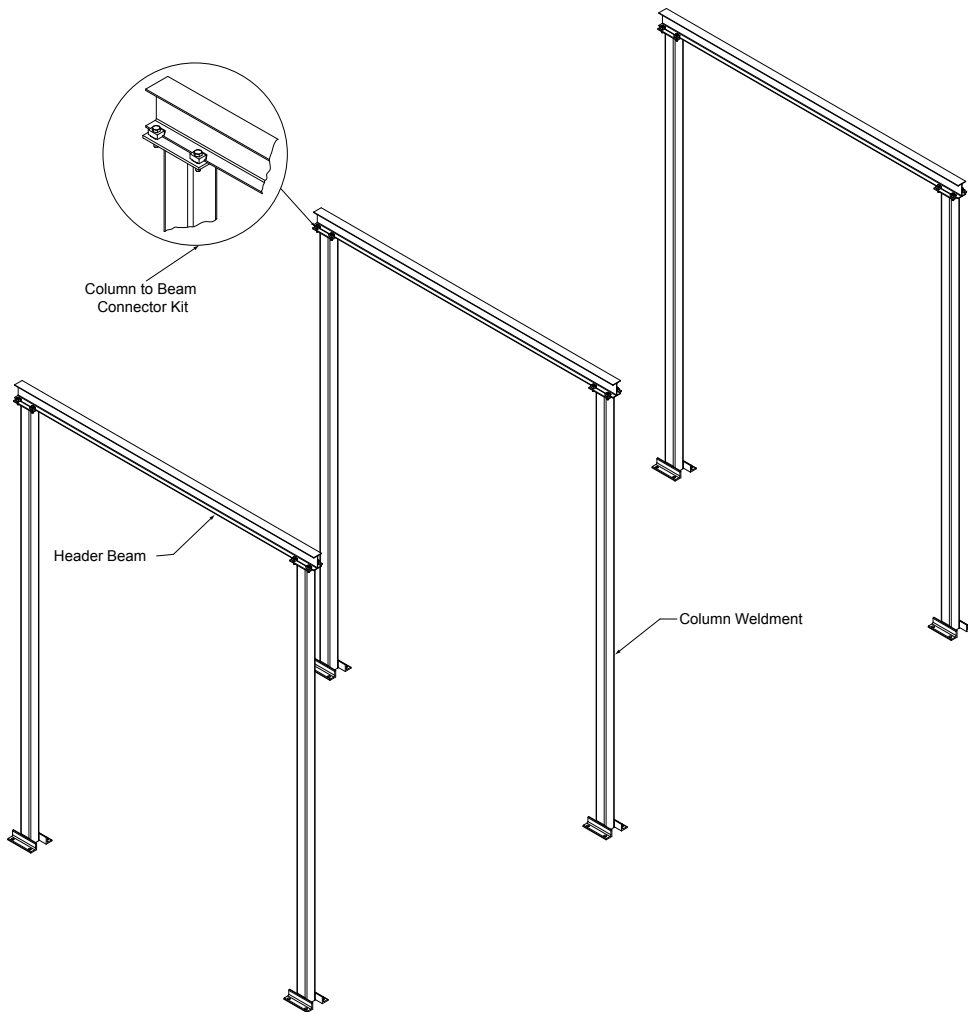


(Dessin MHP3330)

Composants du rail en Z	Composants du support au sol
Rail de pont	Soudure de colonne
Rails de chemin de roulement (y compris ensembles d'épissure, si requis)	Chevêtre
Ensembles d'étrier	Ensemble colonne vers attache de lisse
Ensemble de bogie d'extrémité	
Chariot de palan	
Butées (pour les rails de chemin de roulement et le rail de pont)	

AVIS

- Pour les composants de rail en Z, consulter le système de rail aérien Manuel d'information de pièces répertoriées sous la section "DOCUMENTS ASSOCIÉS" page 33.
- Pour les composants de support au sol, consulter Dessin MHP3329 page 6.

SUPPORT AU SOL - ASSEMBLAGE GÉNÉRAL

(Dessin MHP3329)

AVIS

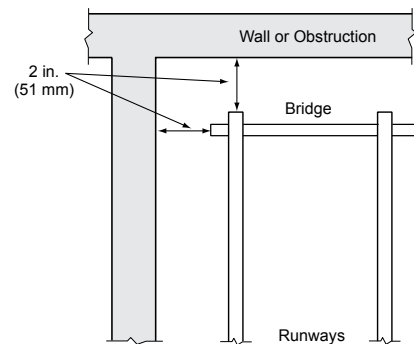
- Consulter le schéma d'assemblage général pour le numéro de pièce spécifique en rapport à la superstructure sur pieds. Le schéma a été fourni avec ce produit.

EXIGENCES EN MATIÈRE D'ESPACE

Prendre le temps nécessaire pour déterminer le meilleur emplacement d'installation pour optimiser la capacité du système. Laisser suffisamment d'espace, loin du système et des fixations, pour permettre le mouvement du personnel et des matériaux en toute sécurité vers et depuis la zone. Laisser un espace pour la hauteur des charges transportées et l'espace de travail nécessaire.

Définir visuellement où installer le système en posant les chemins de roulement et le pont sur la surface au sol ou en marquant l'emplacement proposé du chemin de roulement et du pont au sol avec un ruban adhésif. Ce modèle vous permet d'envisager la trajectoire de charge et le sens du déplacement proposés.

Le dégagement par rapport au mur latéral et à l'extrémité aura la même distance que tous les systèmes de rail couverts dans ce manuel. Les dégagements du chemin de roulement au pont peuvent varier en fonction du type de rail, de suspension ou de chariot utilisés.



(Dessin MHP3337)

TRANSPORT ET ENTREPOSAGE

ATTENTION

- Le transport ne peut être effectué que par du personnel qualifié. Aucune responsabilité en cas de dégâts résultant d'un transport ou d'un entreposage incorrects n'est acceptée.

Transport des rails

Les dispositifs d'élévation **Ingersoll Rand** sont inspectés et emballés de manière adéquate avant la livraison.

- Ne pas jeter ou faire tomber ce produit.
- Utiliser des moyens de transport adéquats. Le transport et les moyens de transport doivent être adaptés aux conditions locales.

AVIS

- Si un dispositif de sécurité pour le transport existe, veuillez l'enlever avant la mise en service.

Entreposage

Système de rail en aluminium et acier

Entreposer dans un environnement propre et sec pour éviter la corrosion.

OUTILS NÉCESSAIRES

- Serre-joint en C
- Cliquet réversible pneumatique/jeu de douilles
- Clé à choc/jeu de douilles pour clé à choc
- Clé dynamométrique
- Perceuse pneumatique ou électrique avec mèches selon les recommandations du fournisseur en matière de boulon d'ancrage
- Ensemble de clés Allen
- Instruments de mise à niveau, tels que niveau d'eau, niveau à bulle, niveau laser, etc.
- Mètre
- Chasse-goupille, marteau à panne ronde
- Maillet lourd en polyuréthane
- Chariot à main
- Échelles ou échafaudage
- Cordeau traceur
- Balai
- Cales en acier
- Couteaux latéraux
- Clé mixte ou clé à douilles

Pendant l'installation, disposez les pièces et les outils à au moins 6 pieds (2 m) de l'espace de travail, jusqu'à utilisation.

AVERTISSEMENT

- NE PAS remplacer les écrous autobloquants par des écrous et des rondelles de blocage standard. Tous les organes d'assemblage pour les systèmes de rail doivent être de catégorie 5 ou supérieure. Utiliser uniquement des organes d'assemblage fournis par Ingersoll Rand. Les écrous à couples appliqués ont des valeurs de couple spécifiques.**
- NE PAS trop serrer les organes d'assemblage ou les boulons. Trop serrer peut affaiblir les organes d'assemblage. NE PAS réutiliser les écrous autobloquants.**

AVIS

- Tous les organes d'assemblage ont un filetage standard à l'exception des tourillons qui ont un filetage inversé.

DOCUMENTS ASSOCIÉS

Ce manuel doit être utilisé en conjonction avec les manuels de produit du système de rail aérien. Consulter :

Manuel d'information de sécurité du système de rail aérien 16600454.
Manuel d'information d'entretien du système de rail aérien 16600470.
Manuel d'information des pièces du système de rail aérien 16600462.
Manuel d'information de produit du système de rail aérien 71341101.

Ces manuels peuvent être téléchargés à l'adresse www.ingersollrandproducts.com

INSTALLATION

Avant d'installer la superstructure sur pieds, inspecter soigneusement chaque composant pour détecter tout dégât éventuel pouvant s'être produit lors de l'expédition.

Pour garantir une installation correcte et sécurisée de la superstructure sur pieds, l'installateur doit disposer de ce manuel.

⚠ AVERTISSEMENT

- Une chute de charge peut causer des blessures ou la mort. Avant l'installation, consulter la section « RENSEIGNEMENTS EN MATIÈRE DE SÉCURITÉ » dans ce manuel et les autres manuels de système applicables.

⚠ ATTENTION

- Les propriétaires et les utilisateurs sont invités à examiner les réglementations spécifiques, locales ou autres, y compris les réglementations de l'American Standards Institute et/ou OSHA qui peuvent être applicables à un type spécifique d'utilisation de ce produit avant d'installer ou d'utiliser un système de rail.

Les étiquettes de charge nominale sont placées des deux côtés du pont, afin que l'opérateur puisse les voir clairement. Le poids total de la charge suspendue doit inclure tous les appareils de manutention, positionneur ou palan, crochets et équipement associé.

Veiller à ce que le système de rail soit correctement installé. Consacrer un peu plus de temps et d'effort peut largement contribuer à éviter les accidents et vous aidera à obtenir le meilleur service possible.

■ Liste de contrôle de préinstallation

⚠ AVERTISSEMENT

- Vérifier que la zone d'installation ne soit pas encombrée par des lignes d'alimentation, conduits électriques en hauteur ou autres équipements utilitaires qui pourraient présenter un danger potentiel au système ou au personnel.
- Les procédures d'installation, d'entretien et de démontage du système nécessitent au moins deux personnes. Les pièces sont trop larges et lourdes pour qu'une seule personne puisse les manipuler en toute sécurité.

Vous devez suivre les consignes suivantes au cours de l'installation :

1. Tout le matériel de suspension de chemin et les épissures doivent être accessibles pour les contrôles d'entretien et l'inspection après l'installation.
2. Toutes les constructions boulonnées doivent être complètement serrées et leur couple doit être ajusté selon les spécifications, tel qu'indiqué dans le Tableau de spécification de couple. Consulter la section Ensemble colonne vers attache de liasse pour le couple de serrage requis pour les serre-joints à la page 9.

	OUI	NON
a. L'emplacement proposé du système est-il éloigné des schémas de mouvement de personnel normaux?		
b. L'opérateur pourra-t-il voir clairement la charge le long de sa trajectoire à tout moment?		
c. L'emplacement se trouve-t-il à une distance sûre et facile à atteindre de la zone de réception de charge?		
d. L'accès pour le personnel et les matériaux vers et depuis le système est-il dégagé?		
e. L'ancrage du système de rail a-t-il été conçu par un ingénieur civil certifié dans le but de convenir à l'installation?		
f. Le système bloquera-t-il les lignes d'alimentation utilitaires, le conduit électrique aérien ou tout autre équipement utilitaire qui pourrait représenter un danger potentiel?		
g. L'emplacement proposé laisse-t-il assez de place pour le déplacement de la charge maximum dans la direction que vous proposez?		
h. L'emplacement proposé se trouve-t-il dans une zone facile à nettoyer et bien dégagée?		
i. L'emplacement et l'installation proposés répondent-ils à toutes les exigences de code applicables?		
j. La charge nominale de la superstructure sur pieds proposée répond-elle aux exigences de levage des charges dans la zone?		

■ Tableau de spécification du couple

Dia. de boulon en pouces	Classe 5 Couple de serrage			
	Sec		Lubrifié	
	pied-livre	Nm	pied-livre	Nm
1/4 - 20	8	11	6	8
5/16 - 18	17	23	13	18
3/8 - 16	31	42	23	31
1/2 - 13	76	103	57	77
* 5/8 - 11	150	203	112	151

* Torque value for bolt of Column to Beam Connector Kit is provided separately in Page No. 9.

■ Ancrage du système

⚠ AVERTISSEMENT

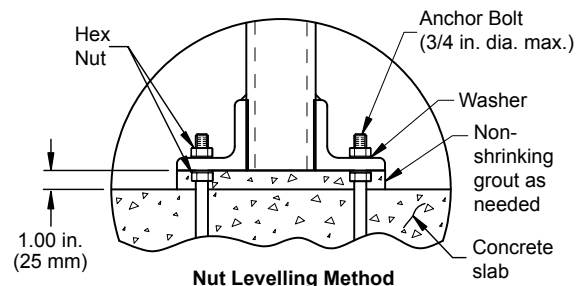
- Pour installer correctement une superstructure sur pieds, le système de pont roulant nécessite un sol en béton renforcé d'une épaisseur de 6 pouces (15,2 cm) minimum. Ingersoll Rand n'assume aucune responsabilité relative aux conditions de la surface de montage. Consulter un ingénieur civil certifié avant d'installer le système de rails.
- Un boulon d'ancrage chimique de 3/4" de diamètre est recommandé. Il doit être intégré à au moins 4" dans le sol. Après le montage, il est recommandé de disposer d'au moins 2 filetages au-dessus de l'écrou.
- Les exigences relatives aux fondations de la superstructure sur pieds sont basées sur une pression sur le sol de 2500# par pied carré. Les recommandations pour les fondations de la superstructure sur pieds sur un sol en béton pour 3000# par pouce carré de béton comprimé.

AVIS

- Les ancrages de colonne doivent être conçus par un ingénieur civil certifié dans l'état où le système est érigé. Ceci a pour but de garantir que les codes et le droit locaux sur les bâtiments, les considérations de charge sismique possible et les conditions variables de dalle en béton et du sol sont pris en compte.

■ Méthode de mise à niveau d'écrou

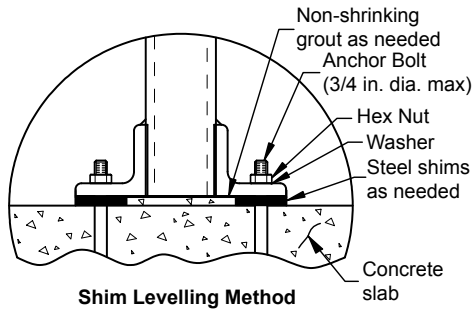
1. Visser des rondelles sur les 4 écrous hexagonaux du bas sur les boulons d'ancrage, afin que le haut des rondelles se trouve à 1 pouce (25 mm) au-dessus de la surface de montage.
2. Poser la colonne sur les boulons d'ancrage et visser les 4 écrous hexagonaux et rondelles restants à la main.
3. Placer un niveau sur une face de la colonne et déterminer l'axe vertical en réglant les écrous hexagonaux sur ce côté de la plaque de base en haut ou en bas, selon les besoins.
4. Répéter l'étape n° 3 sur le côté adjacent.
5. Revérifier le côté de la colonne raccordée à l'étape n° 3 et répéter les étapes 3, 4 et 5, jusqu'à ce que les deux côtés soient raccordés.
6. Serrer les écrous supérieurs au boulon d'ancrage selon le couple recommandé du fabricant tout en veillant à ce que les écrous hexagonaux inférieurs demeurent fixés.
7. Garnir l'espace restant sous la plaque de base à l'aide de coulis à retrait nul, jusqu'à ce que le coulis soit à niveau avec tous les côtés de la plaque de base.



(Dessin MHP1609)

■ Méthode de mise à niveau de cale

1. Poser la colonne sur les boulons d'ancrage et visser les 4 écrous hexagonaux et rondelles à la main.
2. Placer un niveau sur la face de la colonne et déterminer l'axe vertical en desserrant les écrous de boulon d'ancrage selon les besoins et en plaçant les cales sous la plaque de base sur ce côté de la colonne, selon les besoins.
3. Répéter l'étape n° 2 sur le côté adjacent.
4. Revérifier le côté de la colonne raccordée à l'étape n° 2 et répéter les étapes 2, 3, et 4, jusqu'à ce que les deux côtés soient raccordés.
5. Serrer les écrous hexagonaux au boulon d'ancrage selon le couple recommandé par le fabricant.
6. Garnir l'espace restant sous la plaque de base à l'aide de coulis à retrait nul, jusqu'à ce que le coulis soit à niveau avec tous les côtés de la plaque de base.

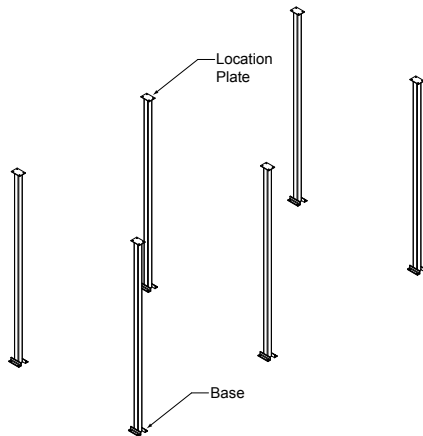


(Dessin MHP1859)

AVERTISSEMENT

- S'il est nécessaire d'obtenir une rigidité complète du système, un renfort supplémentaire (non inclus) est alors nécessaire.

Soudure de colonne

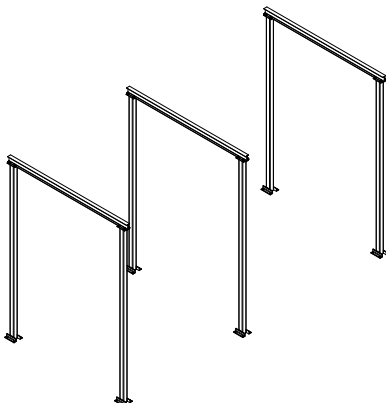


(Dessin MHP3338)

1. Consulter le schéma de disposition général joint pour les dimensions et les emplacements de colonne recommandés.
2. Terminer le marquage pour les bases de soudure de colonne au sol. Veiller à ce que la plaque d'emplacement soit orientée dans la bonne direction, comme sur le schéma de disposition général.
3. Percer des trous et installer les boulons d'ancrage (non inclus) et le matériel conformément aux consignes et exigences d'installation du fabricant.
4. Mettre les soudures de colonne à leur place.
5. Raccorder les soudures de colonne à l'aide des méthodes de mise à niveau répertoriées à la Page 8, sous la section Ancrage du système.

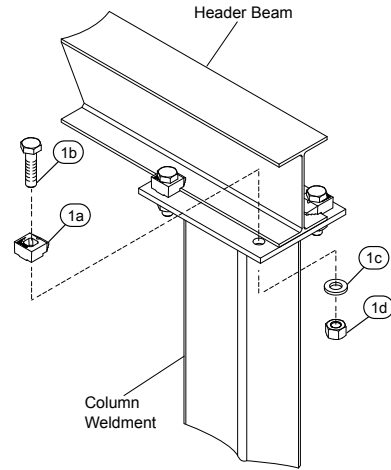
Chevêtre

Consulter Dessin MHP3341 page 9.



(Dessin MHP3341)

1. Lever et positionner le chevêtre sur deux soudures de colonne solides. Consulter le schéma de disposition général joint pour les dimensions et les emplacements de chevêtre recommandés.
2. À l'aide de l'ensemble Colonne vers attache de lisse, attacher le chevêtre à la soudure de colonne. Consulter Dessin MHP3331 page 9.



(Dessin MHP3331)

Article n°	Description de la pièce	Qté totale
1	Ensemble colonne vers attache de lisse	1
1a	Serre-joint	4
1b	Boulon à tête hexagonal	4
1c	Rondelle plate	4
1d	Écrou hexagonal	4

AR : As Required (Tel que requis)

Ensemble colonne vers attache de lisse

AVERTISSEMENT

- Il convient de réaliser un contrôle de la corrosion des éléments exposés et du couple de serrage à intervalles réguliers, tels que stipulés dans le programme d'entretien.

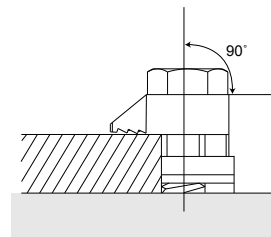
ATTENTION

- Ingersoll Rand recommande d'utiliser un ensemble colonne vers attache de lisse Ingersoll Rand authentique. Les pièces de remplacement peuvent entraîner des risques d'accident, une baisse du rendement, une augmentation de l'entretien et annuler toutes les garanties.

Installation des serre-joints

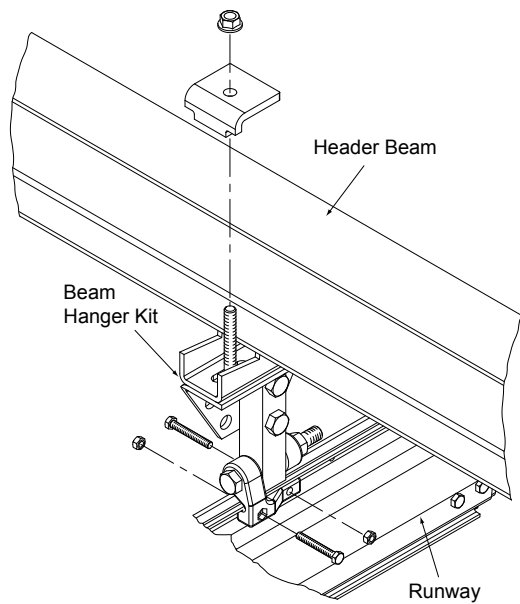
L'installation doit être réalisée selon Dessin MHP3345 page 9. Il convient d'utiliser une clé dynamométrique pour confirmer que les boulons sont serrés selon le couple recommandé (108 livre-pieds).

Bien que les serre-joints puissent être réutilisés, Ingersoll Rand recommande de procéder à l'inspection en profondeur pour détecter toute corrosion ou autres signes d'avertissement. Les boulons et les écrous doivent aussi être inspectés pour vérifier qu'ils ne sont pas trop serrés. Des filetages usés indiquent que le boulon a été trop serré et il est recommandé que vous remplacez le boulon et le serre-joint.



(Dessin MHP3345)

■ Chemin de roulement



(Dessin MHP3347)

1. Consulter le schéma de disposition général fourni avec la superstructure sur pieds pour les dimensions recommandées pour positionner les Ensembles d'étrier.
2. Monter le chemin de roulement sur le chevêtre à l'aide des étriers comme indiqué sur la figure.
3. Aligner les chemins de roulement à l'aide de l'appareil de mise à niveau standard. Consulter la section 'Alignement' page 36.
4. Pour l'installation d'épissure, des butées, des câbles de sécurité, consulter le schéma de Disposition générale et le manuel d'Information de produit du système de rail aérien répertoriés dans "DOCUMENTS ASSOCIÉS" page 33.
5. Veiller à ce que les butées ne soient pas assemblées avant le montage du pont de bogie d'extrémité de chemin de roulement.

■ Alignement

Consulter Dessin MHP1613 page 10.

1. Placer un niveau sur chaque chemin de roulement entre les étriers et mettre à niveau les chemins de roulement.
2. Placer une pièce de matériau droite entre les chemins de roulement et mettre les chemins de roulement à niveau les uns avec les autres. Dans la plupart des applications, une section de rail vide peut être utilisée en tant que guide. Lors de l'utilisation d'un laser pour mettre le système à niveau, utiliser le bord extérieur du haut du profilé de rail comme guide.

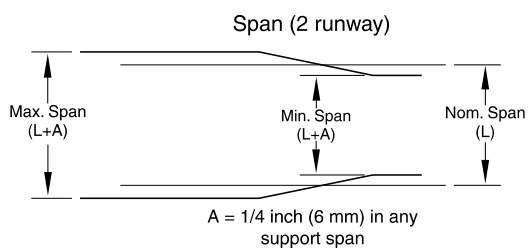
Les superstructures sur pieds **Ingersoll Rand** doivent être installées à niveau et en parallèle, comme décrit dans ces instructions

⚠ AVERTISSEMENT

- **Le non-respect de ces spécifications peut annuler la garantie et peut entraîner l'usure accélérée des composants et même une défaillance de composant.**

■ Mise à niveau longitudinale :

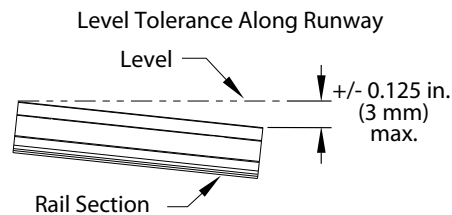
Les systèmes équipés de chemins de roulement multiples et de systèmes à rail simple doivent être mis à niveau avec une marge de 0,25 po. (6 mm) sur la longueur totale. Le taux de variation maximum ne doit pas dépasser 0,125 po. (3 mm) sur 20 pieds (6 m) aux centres.



(Dessin MHP1613)

■ Élévation (chemin de roulement à chemin de roulement) :

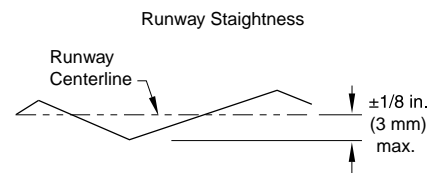
Les systèmes de pont doivent être mis à niveau avec une marge de 0,25 po. (6 mm) sur la travée du pont. Le taux de variation maximum ne doit pas dépasser 0,125 po. (3 mm) sur 20 pieds (6 m) aux centres du rail.



(Dessin MHP2283)

■ Centrage de chemin de roulement à chemin de roulement :

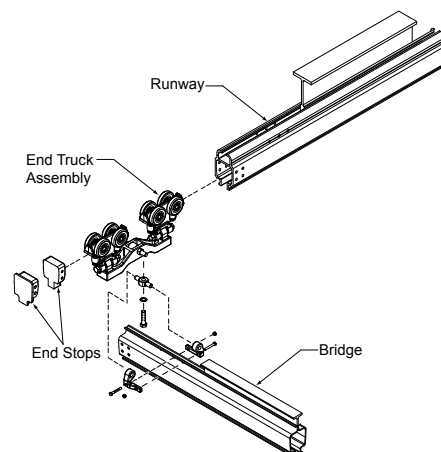
Doit être compris dans une marge de 0,1875 po. (4 mm) sur la longueur totale du système. Le taux de variation maximum ne doit pas dépasser 0,125 po. (3 mm) sur 20 pieds (6 m) aux centres du rail.



(Dessin MHP1711)

■ Pont et bogie d'extrémité

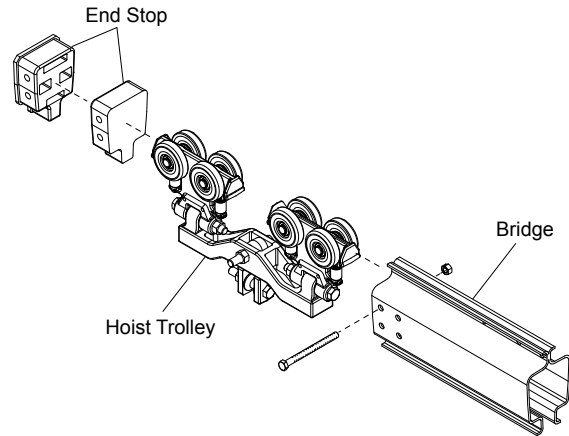
1. Monter les bogies d'extrémité avec le pont, tel qu'indiqué sur la figure. Consulter le schéma d'assemblage général pour les dimensions d'emplacement.
2. Pour veiller à l'installation correcte du pont, il doit y avoir une personne à chaque extrémité.
3. Élever le pont jusqu'aux chemins de roulement et faire glisser les roues sur les deux bogies d'extrémités simultanément dans les extrémités ouvertes de la piste du chemin de roulement.
4. Une fois que le pont est en place sur le chemin de roulement, il est important d'installer immédiatement les butées de chemin de roulement. Ceci empêchera que le pont ne sorte accidentellement de l'extrémité ouverte.
5. Installer la butée sur une extrémité du pont, en laissant l'autre extrémité ouverte pour l'installation du chariot du palan, du positionneur ou de l'appareil de levage.
6. Il est possible de consulter les formulaires de manuel technique de systèmes de rail 16600462 pour différents types de bogies d'extrémités en fonction des combinaisons de rail et des exigences de capacité.



(Dessin MHP3348)

■ Chariot

1. Insérer le chariot de palan dans l'extrémité ouverte du pont et installer immédiatement une butée.
2. Vous pouvez vous référer au formulaire de manuel technique de systèmes de rail 16600462 pour différents types d'installations de chariot en fonction des combinaisons de rail et des exigences de capacité.



(Dessin MHP3343)

TEST DE L'INSTALLATION

⚠ AVERTISSEMENT

- **Ne jamais lever une charge d'essai en se tenant dessous ou à proximité de l'appareil de levage, du rail du pont ou des ensembles connectés.**

⚠ ATTENTION

- **En cas de problèmes lors du processus d'essai, abaisser immédiatement la charge. Éliminer la tension des appareils de levage, puis corriger le problème.**
 - **Limitier l'accès au système au personnel ayant lu ce manuel et ayant été autorisé à procéder à l'installation, à l'utilisation, à l'entretien et/ou à la réparation du système.**
1. Avant d'exécuter les procédures de test, éloigner tout le personnel non autorisé du site d'installation.
 2. Tout le personnel dans la zone de test doit porter des équipements de sécurité appropriés lorsque les procédures de test sont en cours.
 3. Utiliser la liste de contrôle d'inspection fournie pour ne pas négliger un danger potentiel.

Étape 1

Vérifier que le pont, le palan, le positionneur ou l'appareil de manutention se déplace librement dans tout l'espace de travail prévu sans blocage.

Étape 2

Lever une charge d'essai tout en se tenant éloigné du système. Cette charge doit être équivalente à 1/4 de la charge maximum. Remarquer tout problème qui pourrait se produire lorsque cette charge est levée. Répéter l'étape 1 avec cette charge. À chaque étape du test, corriger les problèmes qui pourraient se produire lors du test du système et tester à nouveau si nécessaire avant de passer à l'étape suivante. En cas de problème insoluble, appeler le bureau ou le distributeur **Ingersoll Rand** le plus proche.

Étape 3

Répéter les étapes 1 et 2, lever la charge nominale maximum. Corriger tout problème qui pourrait se produire en élevant cette charge et tester à nouveau si nécessaire avant de mettre le système en service. En cas de problème insoluble, appeler le bureau ou le distributeur **Ingersoll Rand** le plus proche.

AVIS

- **Après avoir levé et positionné la charge nominale maximum et après avoir terminé la procédure de test, le système est prêt à fonctionner.**

INSPECTION GÉNÉRALE

La superstructure sur pieds **Ingersoll Rand** nécessite une inspection visuelle après chaque période de travail, ainsi qu'une inspection approfondie au moins tous les six mois. En cas de problème, suivre les procédures de correction avant de poursuivre l'utilisation de la superstructure sur pieds.

1. Tenir un registre de la date, de l'heure et du personnel responsable de chaque inspection.
2. Examiner visuellement le système pour détecter tout signe d'usure ou d'abrasion dû au mouvement.
3. Vérifier si des pièces présentent des signes d'usure ou de dégâts excessifs.
4. Vérifier le réglage du système de rail. Vérifier si l'alignement et le niveau sont conformes aux spécifications.
5. Inspecter tous les éléments porteurs de charge, y compris les serre-joints, tourillons, supports, boulons et plaques filetés pour détecter tout signe d'usure dû à l'utilisation du système.
6. Vérifier la connexion colonne à chevrete pour détecter tout signe d'usure, de desserrage ou de corrosion.
7. Vérifier toutes les butées ou fixations de rail pour détecter des dégâts dans les zones autour des vis d'assemblage.
8. Inspecter tous les ensembles de chemins de roulement et de pont pour détecter des stries causées par l'usure. Si des stries sont apparentes, il convient de remplacer la section de rail.
9. Inspecter tous les ensembles de bogie et de chariot pour détecter des roues et roulements de guide usés.
10. Inspecter tous les éléments filetés et remplacer ceux présentant des filetages abîmés.
11. Vérifier si des pièces présentent des signes d'usure, de surcharge ou de contrainte exagérés.
12. Inspecter toutes les pièces démontées afin de déterminer si elles sont aptes à une utilisation continue.
13. Vérifier le palan ou équilibreur et le support qui le fixe au chariot. Suivre les manuels du fabricant et les procédures d'inspection pour ces éléments.
14. Ne pas réutiliser les contre-écrous.

ENTRETIEN

La superstructure sur pieds nécessite l'inspection périodique du matériel de suspension et de toutes les connexions boulonnées.

AVERTISSEMENT

- **Ne jamais réaliser d'entretien sur le système alors qu'il soutient une charge.**

ATTENTION

- **Tout problème de fonctionnement, tel qu'un changement de l'effort de roulement ou des bruits inhabituels doit être identifié et corrigé immédiatement.**

Resserrer toutes les connexions à boulon (matériel de suspension, chariots, matériel fixé, etc.) deux semaines après l'installation, puis à nouveau après deux mois d'utilisation.

Le programme d'entretien ci-dessous est fourni pour minimiser les problèmes et identifier l'usure des composants. Ce tableau doit être utilisé en fonction de l'utilisation du système et/ou des exigences locales d'utilisation en toute sécurité. Ce programme ne contient pas les inspections quotidiennes pouvant être requises par les réglementations locales.

En cas de problèmes relatifs au système de rail (composants usés ou abîmés) et qu'un remplacement est requis, consulter la liste des pièces appropriées pour commander des pièces de rechange. Certains composants ne peuvent être commandés qu'en tant qu'ensembles complets. S'ils sont usés ou abîmés, l'ensemble complet doit être remplacé et pas seulement les pièces usées.

Composant	Motif de l'inspection	Procédure d'entretien	Intervalle	
			6 mois	12 mois
Système de rail complet	État général (résistance au roulement, fonctionnement difficile).	Nettoyer et réaligner les composants du système.	X	
Suspension de la superstructure sur pieds/du système de rail	Montages desserrés, usure ou dégâts.	Serrer ou remplacer les montages.		X
	Connexions boulonnées desserrées.	Serrer les boulons.		X
Ensemble colonne vers attache de lisse	Connexions de serre-joint desserrées.	Serrer ou remplacer.		X
	Corrosion.	Remplacer		X
Rails de chemin de roulement et rails de pont	Connexions de serre-joint boulonnées desserrées.	Serrer les boulons de serre-joint.		X
	Connexions de serre-joint de rail boulonnées desserrées.	Serrer les connexions.		X
	Usure de suspension.	Remplacer les composants usés.		X
	Connexions desserrées.	Serrer les connexions.		X
Épissures et butées de système de rail	Connexions boulonnées desserrées.	Serrer les boulons d'épissures et de butée.		X
	Alignement de joint incorrect.	Réaligner les joints.		X

Nettoyage

Il est important de programmer le nettoyage périodique du système de rail aérien et de ses pièces.

La fréquence des cycles de nettoyage dépendra de l'utilisation du système, du personnel utilisant le système et de l'environnement dans lequel le système est installé. Protéger le système et ses surfaces contre des abus, l'usure, la dégradation ou autre négligence afin d'améliorer son aspect et sa durée de vie.

Dans les environnements très difficiles, l'humidité et les contaminants peuvent rapidement détruire l'intégrité du système. Bien que le système soit construit avec des éléments anticorrosion, l'humidité et les produits chimiques ont des effets négatifs avec le temps. L'entretien et la préservation des ponts, des rails et des dispositifs de suspension sont aussi nécessaires que l'entretien de tout équipement, qu'il soit électrique ou mécanique.

Suivre les procédures suivantes pour nettoyer les composants du système de rail aérien

1. Nettoyer tous les ensembles d'étrier avec du LUBRI-LINK-GREENMD ou du WD40MD à pulvériser et de l'air comprimé sec.
2. Nettoyer tous les bogies et chariots à l'aide d'un nettoyant approprié. Sécher à l'aide d'air comprimé filtré, à basse pression.

Les roues de chariot disposent de roulements antifrottement qui sont lubrifiés à vie et ne nécessitent des pièces de rechange que dans des conditions extrêmes. Si ces roues doivent être remplacées, elles peuvent être commandées séparément - il n'est pas nécessaire de remplacer tout l'ensemble.

ATTENTION

- **Lors de l'entretien, il convient de mettre le panneau suivant sur le système :**

« AVERTISSEMENT - NE PAS UTILISER - ÉQUIPEMENT EN COURS DE RÉPARATION ».

- **Ne pas essayer de réparer les pièces du système. Remplacer les pièces ou consulter un centre de service Ingersoll Rand autorisé.**
- **Ne pas réutiliser les contre-écrous mais en installer de nouveaux.**
- **Seul le personnel ayant suivi une formation sur l'utilisation et l'entretien du système doit être autorisé à effectuer l'entretien.**

AVIS

- **Inspecter visuellement le système avant chaque période de travail pour détecter tout signe d'usure ou de dégâts.**
- **Informez le superviseur ou le personnel d'entretien, selon la politique ou procédure de la compagnie, de tout entretien nécessaire. Remplacer tous les composants de système abîmés. Enregistrer toutes les inspections, nettoyages, entretiens et réparations.**
- **Après avoir effectué l'entretien, tester le système selon sa capacité nominale avant de le remettre en service.**

3. Enlever la poussière accumulée, les sédiments et la corrosion sur les plaques métalliques, les bagues, les rouleaux et les goupilles.

AVERTISSEMENT

- **Les solvants et certaines solutions de nettoyage peuvent être dangereux pour votre santé. Faire attention au mélange de nettoyeurs ou solvants et aux vapeurs qu'ils produisent. Utiliser une ventilation adéquate. Porter des vêtements, des lunettes, des gants de protection et autres vêtements de sécurité appropriés. Suivre les consignes des fabricants.**

ATTENTION

- **Nettoyer tous les déversements de liquides de nettoyage, huile, graisse immédiatement.**

AVIS

- **Lors du nettoyage courant, toujours vérifier s'il y a des pièces usées, abîmées ou cassées qui doivent être remplacées.**

DÉMONTAGE GÉNÉRAL DU SYSTÈME

Ne jamais démonter les composants ou les ensembles plus qu'il n'est nécessaire pour effectuer la réparation nécessaire. Appliquer trop de force peut abîmer une pièce en bon état lors du démontage. Ne pas appliquer de chaleur pour libérer des pièces sauf si elles sont déjà usées ou abîmées sans possibilité de réparation, afin de ne pas causer de dégâts à d'autres pièces. En règle générale, le profilé qui compose les sections de rail et de pont doit être enlevé en démontant les pièces séparées au niveau des joints épissés. Dans les cas où les sections de rail ou de pont doivent être enlevées dans des ensembles complets, utiliser un câble de sécurité ou une chaîne pour limiter la distance sur laquelle une section pourrait tomber une fois enlevée. Examiner toutes les procédures de sécurité répertoriées dans les chapitres précédents pour se familiariser avec les problèmes et précautions de sécurité.

ATTENTION

- **Ne jamais démonter le système seul. Une autre personne doit toujours être présente.**

1. Fermer et purger l'alimentation en air.
2. Déconnecter l'alimentation en air depuis la colonne d'air du pont et le régulateur d'air du chemin de roulement.
3. Enlever une butée de la section du pont.
4. Enlever la guirlande, le palan, le positionneur ou le dispositif de levage de la section du pont.

5. Enlever une butée d'une extrémité de chaque chemin de roulement.
6. Enlever la section du pont et les chariots en guirlande.
7. Enlever les câbles de sécurité des chemins de roulement.
8. Desserrer les onglets de montage sur le serre-joint de la poutre l.
9. Enlever la section du rail.
10. Répéter la même opération pour le côté opposé.

DÉPANNAGE

Cette section fournit des renseignements de base en matière de dépannage. Les causes spécifiques des problèmes sont mieux identifiées par des inspections en profondeur réalisées par du personnel formé à la sécurité, l'utilisation et l'entretien de cet équipement. Le tableau ci-dessous fournit un guide rapide des symptômes de rail courants, ainsi que des causes et des solutions probables.

Symptôme	Cause	Solution
Changement d'effort de roulement ou fonctionnement irrégulier.	Poussière ou blocage dans le rail.	Nettoyer toutes les pièces et inspecter pour détecter tout signe d'usure.
	Rail abîmé ou tordu.	Inspecter tous les éléments et remplacer ceux qui sont abîmés. Déterminer la cause du dégât avant l'utilisation.
	Pont ou chemin de roulement mal aligné.	Vérifier la présence d'organes d'assemblage desserrés ou cassés. Serrer s'ils sont desserrés ou remplacer s'ils sont cassés. Vérifier l'alignement.
	Roues de chariot et/ou galets de guidage usés ou abîmés.	Inspecter les roues et les galets. Remplacer les pièces abîmées.
	Sections d'épissure mal alignées.	Veiller à ce que les surfaces de roulement intérieures au niveau de l'épissure sont à niveau et alignées.
Bruits inhabituels.	Galets de guidage et/ou roue cassés.	Inspecter et remplacer les pièces abîmées.
	Poussière ou blocage dans le rail.	Nettoyer toutes les pièces et inspecter pour détecter tout signe d'usure.
Dérivation de charge.	Chemin de roulement ou pont pas à niveau.	Mettre les composants à niveau conformément aux spécifications.
	Chemin de roulement ou pont surchargé.	Réduire la charge selon la capacité nominale.
Dysfonctionnement du palan, du positionneur ou du dispositif de manutention	Fuite ou flexible d'air, fixation ou câble électrique abîmé.	Vérifier et réparer les fuites. Serrer les organes d'assemblage s'ils sont desserrés. Remplacer le câble électrique. Consulter le manuel du palan, du positionneur ou du dispositif de manutention pour des consignes de réparation supplémentaires.

GARANTIE

Garantie limitée d'Ingersoll Rand

Ingersoll Rand Company (« IR ») garantit à l'utilisateur d'origine que ses produits de manutention de matériel (« Produits ») sont exempts de défauts matériels et de fabrication pendant une période d'un an à partir de la date d'achat. **IR**, selon son choix (1) réparera, sans frais, tout Produit défectueux, y compris les pièces et les frais de main-d'œuvre, ou (2) remplacera ces Produits ou remboursera le prix d'achat, moins une provision raisonnable pour dépréciation, en échange du Produit. Les réparations ou remplacements sont garantis pendant le reste de la garantie d'origine.

Si un produit se révèle défectueux pendant sa période de garantie originale d'un an, il doit être renvoyé à un distributeur de produit autorisé, transport prépayé, avec une preuve d'achat ou une carte de garantie. Cette garantie n'est pas applicable aux Produits qui ont été, selon **IR**, mal utilisés ou utilisés de manière abusive, mal entretenus par l'utilisateur ou lorsque le dysfonctionnement ou le défaut peut être attribué à l'utilisation de pièces de réparation **IR** non conformes.

IR NE FAIT AUCUNE DÉCLARATION, NI NE DONNE AUCUNE GARANTIE DE QUELQUE SORTE, EXPLICITE OU IMPLICITE, RÉGLEMENTAIRE OU AUTRE, ET TOUTES LES GARANTIES ET CONDITIONS IMPLICITES RELATIVES À LA QUALITÉ MARCHANDE ET À L'ADÉQUATION À UN OBJECTIF SPÉCIFIQUE, SONT DONC REJETÉES.

La responsabilité maximale d'**IR** est limitée au prix d'achat du Produit et **IR** ne sera responsable en aucune circonstance de tout dommage indirect, direct, consécutif ou spécial de nature quelconque provenant de la vente ou de l'utilisation du Produit, que ce soit de manière contractuelle, délictuelle ou autre.

Remarque : certains états n'autorisent pas les limitations relatives aux dommages indirects ou consécutifs, de telle sorte que les limitations ci-dessus peuvent ne pas s'appliquer à votre cas. Cette garantie vous donne des droits légaux spécifiques et vous pourriez également avoir d'autres droits qui peuvent varier d'un état à un autre.

Pour des renseignements supplémentaires ou des devis de garanties sortant de ces paramètres, veuillez communiquer avec votre Représentant du service client en indiquant vos exigences.

AVIS IMPORTANT

Notre politique vise à favoriser la livraison sécurisée de toutes les commandes.

Cette expédition a été soigneusement vérifiée, emballée et inspectée avant de quitter notre usine et un reçu de bon état a été reçu du transporteur. Toute perte ou dommage se produisant sur cette expédition en cours de route n'est pas dû à une action ou conduite du fabricant.

Perte ou dégât visible

Si des marchandises citées sur le connaissance ou l'accusé de réception express sont abîmées ou si la quantité est inférieure, ne pas les accepter jusqu'à ce que l'agent d'expédition inscrive une note appropriée sur le bon de livraison ou l'accusé de réception express.

Perte ou dégât masqué

Lorsqu'une expédition a été livrée dans un état qui apparaît correct, mais qu'après ouverture de la caisse ou du conteneur, vous constatez qu'une perte ou que des dégâts ont eu lieu pendant le transit, notifiez l'agent de transport immédiatement.

Réclamations en cas de dégâts

Vous devez déposer vos réclamations de dégâts auprès du transporteur. La compagnie de transport est tenue responsable du remboursement relatif à la réparation ou au remplacement des marchandises abîmées lors de l'expédition. Les réclamations de perte ou de dégâts pendant l'expédition ne doivent pas être déduites de la facture **Ingersoll Rand**, et le paiement de la facture **Ingersoll Rand** ne doit pas être retenu en attente d'ajustement de telles réclamations étant donné que le transporteur garantit une livraison en toute sécurité.

Vous pouvez renvoyer les produits abîmés lors de l'expédition, afin que nous procédions à leur réparation, et ces services seront portés à votre compte et formeront la base de votre réclamation à l'encontre du transporteur.

INFORMAÇÕES DE SEGURANÇA

Este manual fornece informações importantes para todos os funcionários envolvidos com a segurança na instalação, operação e manutenção adequada desse guindaste de estação de trabalho. Mesmo se estiver familiarizado com esse equipamento ou com um similar, você deverá ler este manual antes de operar o guindaste.



AVISO

- **Não use esse guindaste para levantar, apoiar ou transportar pessoas. Não use o sistema para levantar ou apoiar cargas sobre as pessoas. Sempre opere, inspecione e mantenha o equipamento de acordo com as normas e os procedimentos de segurança pertinentes.**
- **O equipamento mostrado neste manual é destinado somente para uso industrial. Use somente componentes Ingersoll Rand na instalação. Todos os componentes Ingersoll Rand são testados e certificados de acordo com os padrões de segurança pertinentes.**

INFORMAÇÕES

- **Este manual contém informações importantes sobre a segurança, instalação, operação e manutenção. Disponibilize este manual para todas as pessoas responsáveis pela instalação, operação e manutenção desses produtos.**

■ Sinais de alerta

Neste manual, existem passos e procedimentos que, se não forem seguidos, poderão resultar em risco. As seguintes palavras de sinalização são usadas para identificar o grau de risco potencial.



PERIGO

Indica uma situação de perigo iminente que, se não for evitada, resultará em morte ou lesão grave.



AVISO

Indica uma situação potencialmente perigosa que, se não for evitada, poderá resultar em morte ou lesão grave.



CUIDADO

Indica uma situação potencialmente perigosa que, se não for evitada, poderá resultar em ferimentos leves ou moderados ou danos à propriedade.

INFORMAÇÕES

Indica informações ou uma política da empresa que está relacionada de maneira direta ou indireta à segurança dos funcionários ou à proteção de propriedade.

■ Resumo das informações de segurança



AVISO

- **Não use esse guindaste de estação de trabalho para levantar, apoiar ou transportar pessoas.**
- **Consulte um engenheiro civil especializado em estruturas e registrado para determinar a adequação desse produto em condições sísmicas.**

INFORMAÇÕES

- **O equipamento de elevação e movimentação está sujeito a diferentes normas de acordo com a região. Essas normas podem não estar especificadas neste manual.**
- **O sistema de guindaste foi projetado apenas para uso interno. Para outras aplicações, entre em contato com a fábrica.**

O National Safety Council (Conselho Nacional de Segurança), o Accident Prevention Manual for Industrial Operations (Manual de Prevenção de Acidentes de Operações Industriais), oitava edição e outras fontes de segurança reconhecidas mencionam um ponto específico em comum: os funcionários que trabalham perto de cargas suspensas ou ajudam a prender ou a organizar as cargas devem ser instruídos a não ficar debaixo da carga. Do ponto de vista de segurança, há um fator fundamental: conduza todas as operações de levantamento de forma que, se houver uma falha no equipamento, nenhum funcionário seja ferido. Isso significa não ficar debaixo de uma carga elevada e ficar fora da linha de força de qualquer carga.

A Occupational Safety and Health Act of 1970 (Lei de Segurança e Saúde Ocupacional de 1970), em geral, responsabiliza o proprietário ou empregador pela conformidade com as normas, não o fabricante. Muitos requisitos dessa lei (OSHA) não estão relacionados ao produto fabricado; pelo contrário, estão associados com a instalação final. É responsabilidade do proprietário e do usuário determinar a adequação de um produto para qualquer uso específico. É recomendável que todas as normas da indústria, da associação comercial, federal, estadual e local aplicáveis sejam verificadas. Leia todas as instruções e advertências antes de operar o equipamento.

Sustentação: É responsabilidade do operador ter cuidado, usar o bom senso e se familiarizar com técnicas de sustentação adequadas. Consulte ASME B30.9 para obter informações sobre sustentação, American National Standards Institute, 1430 Broadway, New York, NY 10018.

Este manual foi produzido pela **Ingersoll Rand** para fornecer aos comerciantes, mecânicos, operadores e funcionários da empresa as informações necessárias para instalar, operar, fazer manutenção e reparar os produtos aqui descritos.

É extremamente importante que os mecânicos e operadores estejam familiarizados com os procedimentos de manutenção desses produtos, ou produtos similares, e que sejam fisicamente capazes de realizar os procedimentos. Esses funcionários devem ter conhecimentos gerais sobre o trabalho, incluindo:

1. O uso adequado e seguro e a aplicação de ferramentas manuais comuns de mecânica, além de ferramentas especiais da **Ingersoll Rand** ou outras recomendadas.
2. Procedimentos de segurança, precauções e hábitos de trabalho estabelecidos por padrões aceitos pela indústria.

A **Ingersoll Rand** não tem conhecimento nem fornece todos os procedimentos que podem ser usados para executar operações ou reparos de produtos e os riscos e/ou resultados de cada método. Se procedimentos de operação ou manutenção que não sejam especificamente recomendados pelo fabricante forem conduzidos, será preciso garantir que a segurança do produto não seja ameaçada pelas ações realizadas. Se não tiverem certeza sobre um procedimento ou uma etapa de operação ou manutenção, os funcionários deverão colocar o produto em condições de segurança e entrar em contato com os supervisores e/ou com a **Ingersoll Rand** para obter assistência técnica.



AVISO

- **As pistas de mais de 2,4 m (8 pés) de comprimento podem exigir outro dispositivo de levantamento durante a instalação. Fixe firmemente a pista ou a ponte ao dispositivo de levantamento e conecte um cabo de segurança à carga em caso de ela se soltar acidentalmente do dispositivo de levantamento.**
- **Se for utilizado um laser de nivelamento, use proteção adequada para os olhos e siga as instruções do fabricante e as precauções de segurança ao usar o dispositivo.**
- **Verifique se todas as escadas ou andaimes utilizados pelos funcionários de instalação são confiáveis e capazes de suportar o peso total do instalador e dos equipamentos.**
- **Ao determinar o peso total da carga suspensa, inclua os guinchos, posicionadores, dispositivos de manipulação, caçambas, ganchos etc. O peso total da carga de suspensão não deve ultrapassar a capacidade de carga marcada no trilho.**
- **Uma tolerância de 15% da capacidade nominal é fornecida para o peso do guincho e do trole. Além disso, uma tolerância adicional de 25% da carga nominal é fornecida para o carregamento de impacto causado pelo uso do guincho. A velocidade do guincho deve ser inferior a 50 fpm.**

INSTRUÇÕES DE UTILIZAÇÃO SEGURA

Os seguintes avisos e instruções operacionais são destinados a evitar práticas inseguras de operação que possam provocar lesões ou danos à propriedade.

A **Ingersoll Rand** reconhece que a maioria das empresas que utiliza sistemas de trilho possui um programa de segurança em operação em suas instalações. No caso de algum conflito entre a regra definida nesta publicação e uma regra semelhante já definida por uma determinada empresa, a mais rigorosa das duas deverá prevalecer. As capacidades de carga são marcadas nos dois lados do trilho da ponte e são claramente visíveis para o operador. Essas capacidades são estabelecidas pela **Ingersoll Rand** através de testes exaustivos.

A operação do guindaste deve aderir às regras e práticas de segurança comprovadas e descritas nos padrões de segurança aplicáveis e atuais da ANSI e da OSHA.

Instruções de operação de segurança são fornecidas para conscientizar o operador sobre as práticas perigosas a serem evitadas e não são necessariamente limitadas à lista a seguir. Consulte as seções específicas no manual para obter mais informações de segurança.

1. Permita que somente funcionários treinados na segurança e operação desse sistema de trilho operem e façam manutenção do mesmo.
2. Quando um sinal de "NÃO OPERAR" for colocado no sistema de trilho, não opere até que os reparos ou ajustes tenham sido concluídos e o sinal tenha sido removido pelos funcionários responsáveis.
3. Antes de cada turno, verifique visualmente se o sistema de trilho possui algum sinal de desgaste e danos. Nunca use um sistema de trilho quando a inspeção indicar que ele está desgastado ou danificado.
4. Nunca ultrapasse a capacidade nominal do sistema de trilho. Consulte os rótulos anexados ao sistema de trilho.
5. Nunca ultrapasse a velocidade máxima do guincho. Consulte os rótulos anexados ao sistema de trilho.
6. Preste sempre atenção às cargas suspensas no sistema de trilho.
7. Certifique-se de que todos estejam afastados do caminho de carga. Não eleve uma carga sobre pessoas.
8. Nunca use o sistema de trilho e o equipamento anexo para elevar ou abaixar pessoas, e nunca permita que alguém fique de pé em uma carga suspensa.
9. Nunca faça balançar uma carga suspensa.
10. Nunca suspenda uma carga durante um período prolongado.
11. Nunca deixe uma carga suspensa sem vigilância.
12. Nunca solde ou corte uma carga suspensa do sistema de trilho.
13. Não opere o sistema de trilho se houver amontoamento, sobrecarga ou emperramento.
14. Evite colisões ou batidas de componentes em suspensão no sistema de trilho.
15. Para mover um trilho de ponte ou trole, empurre a carga ou o conector de carga.

16. Não use batentes para posicionar a carga. Colisões frequentes com batentes podem causar muito desgaste nos componentes de suspensão. Mantenha as cargas que são manuseadas manualmente sob controle o tempo todo para evitar impactos com os batentes.

RESPONSABILIDADES E DEVERES DOS OPERADORES

Ao operar o produto, os operadores deverão utilizar equipamentos de proteção pessoal adequados para a operação. Isso deve incluir, pelo menos, óculos de segurança, protetor auricular, luvas, sapatos de segurança e capacete. Outros itens de segurança exigidos por empresas individuais também deverão ser usados.

É recomendável usar sapatos antiderrapantes se o produto estiver localizado em uma área que pode ser enlameada, molhada ou tiver superfícies escorregadias.



■ Inspeções

Inspeções visuais diárias (frequentes) deverão ser realizadas pelo operador no início de cada turno, ou no momento em que o produto é usado pela primeira vez durante cada turno. Consulte a seção "INSPEÇÃO" deste manual, fornecido com o produto. O operador não deve realizar inspeções periódicas ou manutenção do produto, a menos que tenha sido treinado para realizá-las e seja designado pelo proprietário para isso.

■ Responsabilidades dos operadores

O operador deve ser cuidadosamente instruído sobre suas funções e deve compreender a operação do produto, e deve examinar minuciosamente as instruções do fabricante. O operador deve compreender totalmente os métodos adequados de manipulação e conexão de cargas e deve ter uma atitude adequada em relação à segurança. É responsabilidade do operador recusar operar o produto em condições inseguras.

É responsabilidade do operador ter cuidado, usar o bom senso e se familiarizar com procedimentos e as funções operacionais.

Os operadores não são obrigados a fazer manutenção no produto, mas são responsáveis pela operação e inspeção visual do produto.

Os operadores que estiverem cansados ou tiverem ultrapassado o período de seu turno normal devem verificar todas as normas relacionadas referentes a períodos de trabalho aprovados antes de operar o produto.

Os operadores deverão:

1. Ser fisicamente competentes e não ter nenhuma condição de saúde que afete sua capacidade de trabalho.
2. Ser treinados sobre controles do produto e direção de movimento de carga antes de operar o produto.
3. Verificar a existência de possíveis defeitos do produto que possam exigir ajustes ou reparos.
4. Parar a operação se houver defeitos e avisar imediatamente ao supervisor para que ações corretivas possam ser tomadas.
5. Verificar o funcionamento do freio, levantando a carga a uma curta distância e liberando a cadeia de operação.
6. Confirmar se as inspeções do produto e verificações de lubrificação foram concluídas.

Os operadores deverão:

1. Ter uma percepção normal de profundidade, campo de visão, audição, tempo de reação, destreza manual e coordenação para o trabalho que está sendo executado.
2. NÃO ser sujeito a convulsões, perda de controle físico, defeitos físicos ou instabilidade emocional que possam fazer com que as ações do operador sejam um risco para o operador ou outras pessoas.
3. NÃO operar o produto quando estiver sob a influência de álcool ou drogas.
4. NÃO operar o produto quando estiver sob a influência de medicação que possa fazer com que as ações do operador sejam um risco para o operador ou outras pessoas.

O operador deve conhecer a capacidade do produto em todas as operações. É responsabilidade do operador garantir que a carga não ultrapasse a classificação do produto.

Itens a serem considerados como parte da carga:

- Todos os itens de suspensão.
- Cargas de choque que possam fazer com que a carga ultrapasse a capacidade classificada do produto.
- Ao usar o produto em uma aplicação de elevação múltipla, certifique-se de que os dois estejam em sincronia e que um não seja mais rápido ou mais lento, para evitar que a carga de um elemento sobrecarregue o outro.
- Ganho de peso da carga devido a neve, gelo ou chuva.

INFORMAÇÕES PARA ENCOMENDA DE PEÇAS

Esses produtos foram projetados e criados para fornecer um serviço duradouro e sem problemas. Com o passar do tempo, pode ser necessário fazer pedido e instalar novas peças para substituir aquelas desgastadas.

Para sua conveniência e referência futura, é recomendável que as informações a seguir sejam registradas.

Número do modelo _____

Data da compra _____

Ao encomendar peças de reposição, especifique o seguinte:

1. Números e descrição da peça como mostrado neste manual.
2. Quantidade necessária.

INFORMAÇÕES

- **A melhoria e o avanço contínuo dos desenhos do produto poderá causar alterações neste equipamento que não estão incluídas neste manual. Os manuais são revisados periodicamente para incorporar novas alterações. Verifique sempre o número da edição do manual na tampa frontal para saber a última edição.**
- **Algumas seções deste manual podem não se aplicar ao seu produto.**
- **O uso de peças de substituição que não sejam da Ingersoll Rand poderá resultar em riscos à segurança, à redução do desempenho e ao aumento de manutenção, e irá invalidar todas as garantias.**

■ Política de Devolução de Produtos

A **Ingersoll Rand** não aceitará devolução de nenhum produto por garantia ou serviço, a menos que tenham sido feitos acordos prévios e que uma autorização por escrito tenha sido fornecida pelo local onde os produtos foram comprados.

Produtos que tenham sido modificados sem autorização da **Ingersoll Rand**, usados inadequadamente ou sobrecarregados não serão reparados, nem substituídos pela garantia. Uma cópia impressa da garantia que se aplica a este produto é fornecida na capa traseira do manual de informações do produto ou, em alguns casos, no manual de peças.

■ Descarte



Quando a vida útil do produto tiver expirado, a recomendação será que o produto seja desmontado, limpo e suas peças sejam separadas como materiais para que possam ser recicladas.

Entre em contato sempre com a filial ou o distribuidor mais próximo da **Ingersoll Rand**.

INTRODUÇÃO

Os guindastes de estação de trabalho autônomos foram criados para resolver suas necessidades de manuseio de materiais. Esses guindastes combinados com guincho de ar, guincho elétrico, posicionador de carga ou dispositivo de manuseio **Ingersoll Rand** formam uma solução ideal para manuseio do material. Eles cobrem áreas retangulares e são apoiados no chão. Os sistemas autônomos de apoio no chão não impõem tensões sobre a estrutura superior do prédio. A instalação é simples e permite um possível reposicionamento no futuro.

INFORMAÇÕES

- O guincho usado com o guindaste de estação de trabalho autônomo deve estar em conformidade com as seções aplicáveis da ASME B30.16

CÓDIGO DO MODELO

Exemplo: E 0000 00 000 00

Guindaste de estação de trabalho autônomo

Capacidade em libras

0275 = 275 lbs (125 kg)
 0550 = 550 lbs (250 kg)
 1100 = 1 100 lbs (500 kg)
 2000 = 2 000 lbs (907 kg)

Comprimento da ponte em pés

05 = 5 pés (1,5 m)
 08 = 8 pés (2,4 m)
 10 = 10 pés (3,0 m)
 15 = 15 pés (4,6 m)
 21 = 21 pés (6,4 m)
 30 = 30 pés (9,1 m)

Comprimento da pista em pés

010 = 10 pés (3,0m)
 015 = 15 pés (4,6 m)
 020 = 20 pés (6,0 m)
 030 = 30 pés (9,1 m)
 040 = 40 pés (12,2 m)
 050 = 50 pés (15,2 m)
 060 = 60 pés (18,3 m)
 070 = 70 pés (21,3 m)
 080 = 80 pés (24,4 m)
 090 = 90 pés (27,4 m)
 100 = 100 pés (30,5 m)
 125 = 125 pés (38,1 m)

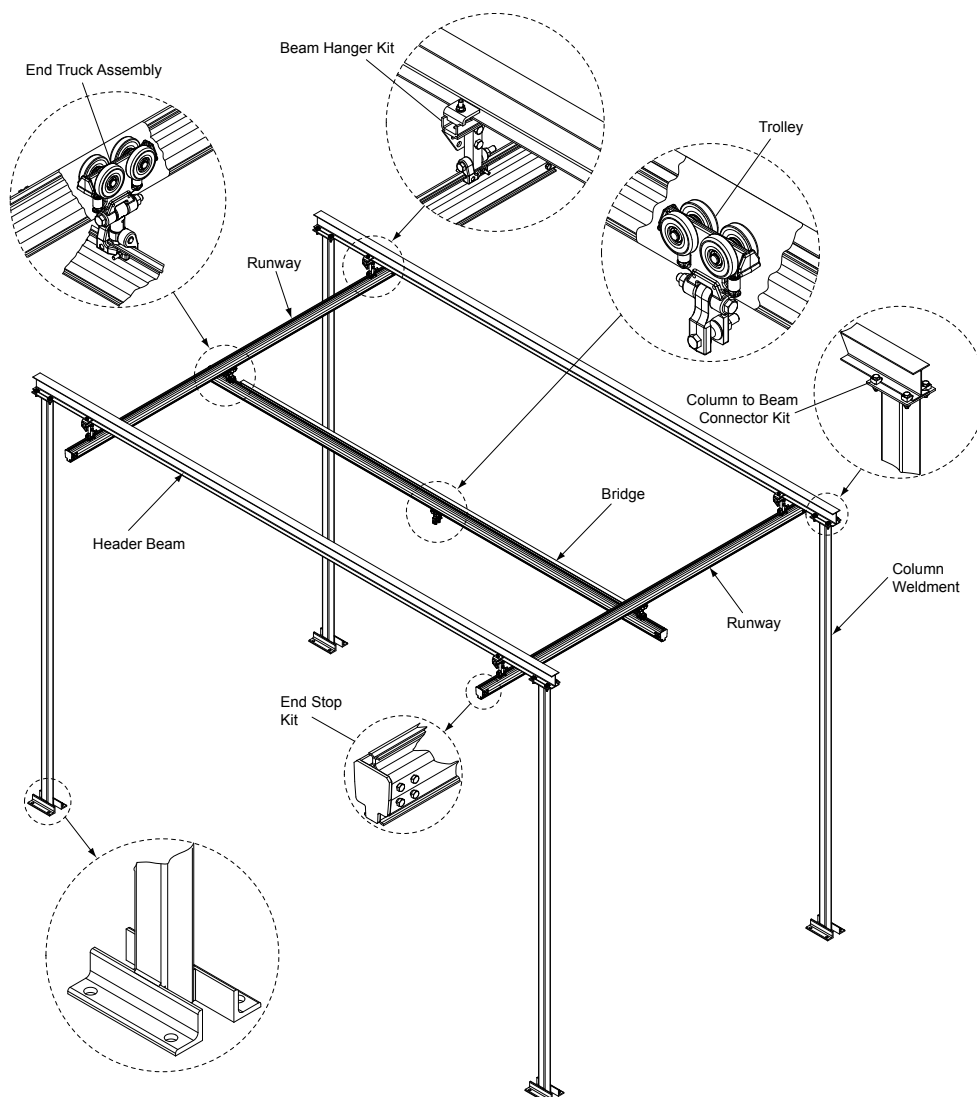
Espaço debaixo da ponte em pés

10 = 10 pés (3,0 m)
 12 = 12 pés (3,7 m)
 14 = 14 pés (4,3 m)

INFORMAÇÕES

- Consulte o desenho Montagem Geral que acompanha o o guindaste para saber quais são as dimensões.
- Para montagem geral e componentes, consulte Desenho MHP3330 na página 5.

MONTAGEM GERAL E COMPONENTES



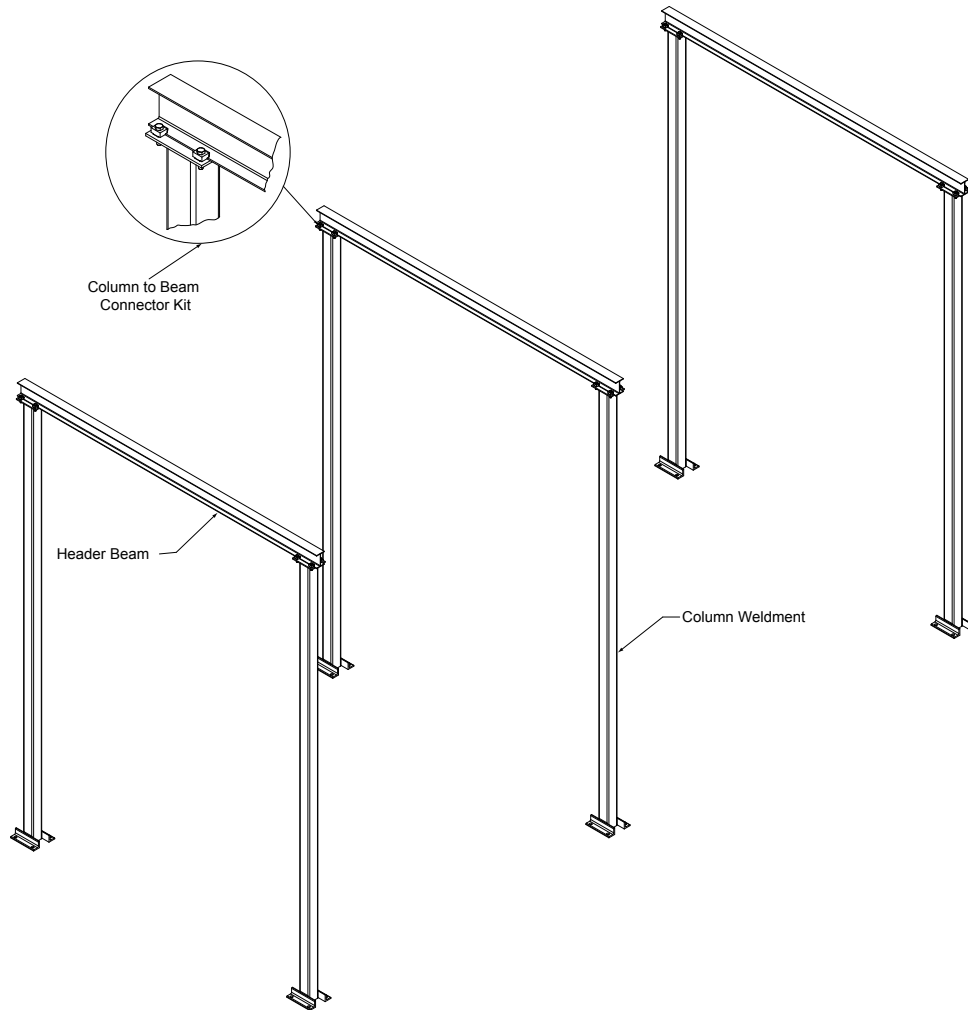
(Desenho MHP3330)

Componentes do trilho Z	Componentes de suporte de chão
Trilho da ponte	Soldagem da coluna
Trilhos de pista (incluindo kits de emenda, se necessário)	Viga do cabeçote
Kits de suporte suspensor da viga	Kit conector da coluna com a viga
Montagem de cabeceira	
Trole de guincho	
Batentes (para os trilhos de pista e da ponte)	

INFORMAÇÕES

- Para conhecer os componentes do trilho Z, consulte Sistema de trilho elevado Manual de informações de peças listado na seção "DOCUMENTAÇÃO RELACIONADA" na página 46.
- Para componentes de suporte no chão, consulte Desenho MHP3329 na página 6.

SUPORE DE CHÃO - MONTAGEM GERAL



(Desenho MHP3329)

INFORMAÇÕES

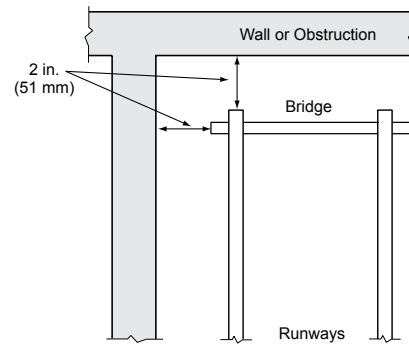
- Consulte o desenho de Montagem Geral para ver o número específico da peça relacionada ao guindaste. O desenho é fornecido com o produto.

REQUISITOS DE ESPAÇO

Leve o tempo que for preciso para determinar o melhor local de instalação para otimizar a capacidade dos sistemas. Deixe um espaço adequado livre de sistema e conexões, para permitir o fluxo de tráfego seguro dos funcionários e materiais que passam pela área. Deixe um espaço para o transporte de cargas altas e o espaço necessário para execução do trabalho.

Defina visualmente onde instalar o sistema colocando pistas e pontes no chão do espaço de trabalho, ou marcando o posicionamento proposto de uma pista e uma ponte no chão com fita adesiva. Isso permite que você tenha uma melhor ideia do caminho de carga proposto e da direção do percurso.

O espaço entre a parede final e lateral será a mesma distância para todos os sistemas de trilho abordados neste manual. Os espaços entre a pista e a ponte podem variar dependendo do tipo do trilho, do gancho ou do trole que é usado.



(Desenho MHP3337)

TRANSPORTE E ARMAZENAMENTO

⚠ CUIDADO

- **O transporte só pode ser feito por funcionários qualificados. Não haverá responsabilidade legal por nenhum dano que resulte de transporte ou armazenamento inadequado.**

■ Transporte dos trilhos

Os dispositivos de elevação **Ingersoll Rand** são inspecionados e devidamente embalados antes da entrega.

1. Não jogue nem derrube o produto.
2. Utilize meios adequados de transporte. Os transportes e os meios de transporte deverão ser adequados às condições locais.

INFORMAÇÕES

- **Se houver um dispositivo de segurança para transporte, remova-o antes da instalação.**

■ Armazenamento

■ Sistema de trilho de aço e alumínio

Armazene em ambiente limpo e seco para evitar a corrosão.

REQUISITOS DE FERRAMENTA

1. Braçadeira "C"
2. Catraca pneumática reversível/impacto
3. Conjunto de soquetes/conjunto de soquetes de impacto
4. Torquímetro
5. Recomendações do fornecedor para furadeira elétrica ou a ar com brocas como por chumbador
6. Jogo de chave Allen
7. Instrumentos de nivelamento, como o nível de água, nível de bolha, nível de laser etc.
8. Fita métrica
9. Parafusador de pino, martelo tipo bola
10. Martelo de poliuretano pesado
11. Carriola
12. Escadas ou andaimes
13. Linha de giz
14. Escova comercial
15. Calços de aço
16. Alicates
17. Chave combinada ou soquete e uma chave

INFORMAÇÕES

- **Todos os fixadores são de rosca padrão, com exceção dos pivôs que são rosqueados invertidamente.**

Durante a instalação, mantenha as peças e ferramentas a pelo menos 2 m (6 pés) de distância da área de trabalho até que precisem ser usadas.

⚠ AVISO

- **NÃO substitua as porcas de travamento automático por porcas padrão e arruelas de pressão. Todos os fixadores para sistemas de trilho devem ser de nível 5 ou melhor. Use somente fixadores fornecidos pela Ingersoll Rand. As porcas que são binárias prevalecentes têm valores de torque.**
- **NÃO aperte os fixadores e os parafusos excessivamente. O aperto excessivo pode enfraquecer os fixadores. NÃO reutilize as porcas de travamento automático.**

DOCUMENTAÇÃO RELACIONADA

Este manual deve ser utilizado em conjunto com os manuais do produto do Sistema de trilho elevado. Consulte:

Manual de informações de segurança do Sistema de trilho elevado 16600454.
Manual de informações de manutenção do Sistema de trilho elevado 16600470.
Manual de informações de peças do Sistema de trilho elevado 16600462.
Manual de informações de produto do Sistema de trilho elevado 71341101.

Esses manuais podem ser baixados em www.ingersollrandproducts.com

INSTALAÇÃO

Antes de instalar o guindaste de estação de trabalho autônomo, inspecione cuidadosamente cada componente em busca de possíveis danos de transporte.

Para garantir a instalação adequada e segura do guindaste, disponibilize este manual para o instalador.

AVISO

- A queda de uma carga pode provocar lesões graves ou a morte. Antes da instalação, consulte a seção "INFORMAÇÕES DE SEGURANÇA" neste manual e outros manuais aplicáveis do sistema.

CUIDADO

- Os proprietários e usuários são aconselhados a examinar as normas locais específicas ou outras, incluindo American National Standards Institute (Instituto americano de padrões nacionais) e/ou regulamentos OSHA que poderão ser aplicados a um determinado tipo de uso do produto antes de instalar ou colocar o sistema de trilho em uso.

Os rótulos de classificação de carga estão instalados nos dois lados da ponte, de modo que fiquem claramente visíveis para o operador. O peso total da carga suspensa deve incluir todos os dispositivos de manipulação, o posicionador ou guincho, os ganchos e qualquer equipamento associado.

Certifique-se de que o sistema de trilho esteja instalado corretamente. A disponibilização de um pouco mais de tempo e esforço em fazer isso podem contribuir muito para evitar acidentes e proporcionar o melhor serviço possível.

Lista de verificação de pré-instalação

AVISO

- Verifique a área de instalação para garantir que não haja conflitos com as linhas de abastecimento de utilitários, conduites elétricos suspensos ou qualquer utilitário que possa apresentar perigo potencial ao sistema ou aos funcionários.
- Os procedimentos de instalação, manutenção e desmontagem do sistema exigem, pelo menos, duas pessoas. As peças são grandes e pesadas demais para uma pessoa sozinha manusear com segurança.

Os itens a seguir deverão ser observados durante a instalação:

- Todas as ferramentas e emendas de suspensão dos trilhos devem ficar acessíveis para verificações de manutenção e inspeção após a instalação.
- Todas as construções aparafusadas devem ser apertadas por completo e torquedadas de acordo com as especificações mostradas na Tabela de especificação de torque. Consulte a seção Kit conector da coluna com a viga para saber qual o torque de aperto exigido para as Braçadeiras na página 9.

	SIM	NÃO
a. A localização proposta do sistema está longe dos padrões normais de tráfego de funcionários?		
b. O operador poderá ver claramente a carga ao longo do trajeto de movimentação?		
c. O local está dentro do alcance fácil e seguro da área de recebimento de carga?		
d. Os funcionários e os materiais têm acesso fácil para saída e entrada do sistema?		
e. O ponto de fixação do sistema de trilho foi desenhado por um engenheiro civil estrutural registrado adequado à instalação?		
f. O sistema entrará em conflito com as linhas de abastecimento de utilitários, conduites elétricos suspensos ou qualquer utilitário que possa representar um possível perigo?		
g. O local proposto dá um espaço suficiente para a movimentação de carga máxima na direção que você está propondo?		
h. O local proposto está em uma área fácil de manter limpa e livre de obstruções?		
i. O local e a instalação proposta atendem todos os requisitos do código pertinentes?		
j. A capacidade de carga proposta do guindaste atendem os requisitos de elevação de carga na área?		

Tabela de especificação de carga

Polegadas do diâm. do parafuso	Tipo Torque de aperto 5			
	Seco		Lubrificado	
	pés-lb	Nm	pés-lb	Nm
1/4 - 20	8	11	6	8
5/16 - 18	17	23	13	18
3/8 - 16	31	42	23	31
1/2 - 13	76	103	57	77
* 5/8 - 11	150	203	112	151

* Torque value for bolt of Column to Beam Connector Kit is provided separately in Page No. 9.

Ancoragem do sistema

AVISO

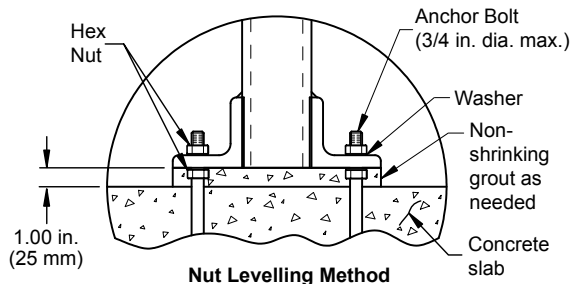
- Para uma instalação adequada do sistema de guindaste de ponte autônomo requer um mínimo de 6 pol. (15,2 cm) de espessura no piso de concreto armado. A Ingersoll Rand não se responsabiliza pelas condições da superfície de montagem. Consulte um engenheiro civil especializado em estruturas e registrado antes da instalação do sistema.
- Um chumbador químico de 3/4" de diâmetro é recomendado. Ele deve ser, no mínimo, 4" embutido no chão. Após a montagem, recomenda-se um mínimo de 2 rosqueios acima da porca.
- Os requisitos de fundação do guindaste de ponte autônomo são baseados em uma pressão do solo de 2500# por metro quadrado. As recomendações concretas mínimas para a fundação da ponte de guindaste de estação de trabalho autônomos são de 3000# por polegada quadrada de concreto de compressão.

INFORMAÇÕES

- As colunas de fixação devem ser projetadas por um engenheiro civil estrutural licenciado no estado em que o sistema está sendo implantado. Isso é necessário para que sejam seguidos os códigos e as leis de construção locais, possíveis considerações de carregamento sísmico e variância em condições de solo e laje de concretos.

Método de nivelamento de porca

- Rosqueie as quatro porcas sextavadas inferiores com as arruelas nos parafusos de ancoragem para que a parte superior das arruelas fique 1 polegada (25 mm) acima da superfície de montagem.
- Instale a coluna sobre os parafusos de ancoragem e rosqueie as 4 porcas sextavadas e arruelas, apertando manualmente.
- Coloque um nível em uma face da coluna e do tubo vertical, ajustando as porcas sextavadas nesse lado da placa de base para cima ou para baixo, conforme a necessidade.
- Repita a etapa 3 em um lado adjacente.
- Verifique novamente a lateral da coluna entubada na Etapa 3 e repita as Etapas 3, 4 e 5 até que os dois lados estejam entubados.
- Aperte as porcas sextavadas superiores ao parafuso de fixação com o torque recomendado pelo fabricante, garantindo que as porcas sextavadas inferiores permaneçam fixas.
- Embale o espaço vazio restante por baixo da placa de base com argamassa não encolhida até que a argamassa esteja nivelada com todos os lados da placa de base.

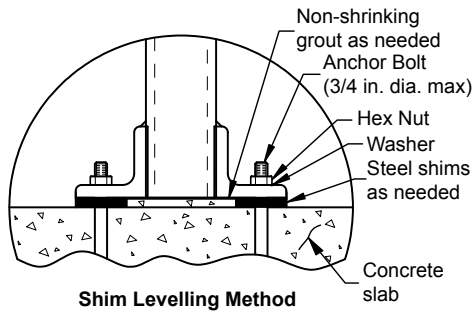


(Desenho MHP1609)

Método de nivelamento por calços

- Instale a coluna sobre os parafusos de ancoragem e rosqueie as 4 porcas sextavadas para baixo apertando manualmente.
- Coloque um nível na face da coluna e do tubo vertical, soltando as porcas do parafuso de fixação conforme necessário e coloque calços debaixo da placa de base nesse lado da coluna, se necessário.
- Repita a etapa 2 em um lado adjacente.
- Verifique novamente a lateral da coluna entubada na Etapa 2 e repita as Etapas 2, 3 e 4 até que os dois lados estejam entubados.
- Aperte as porcas sextavadas ao parafuso de fixação com o torque recomendado pelo fabricante.

- Embale o espaço vazio restante por baixo da placa de base com argamassa não encolhida até que a argamassa esteja nivelada com todos os lados da placa de base.

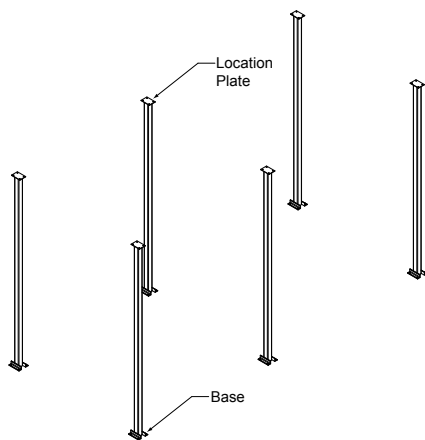


(Desenho MHP1859)

AVISO

- Se for necessária uma rigidez total do sistema, será preciso colocar um apoio adicional (não incluído).

Soldagem da coluna

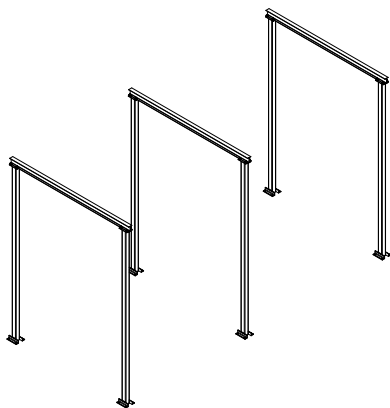


(Desenho MHP3338)

- Consulte o desenho da disposição geral fechada para ver as dimensões recomendadas e as localizações da coluna.
- Complete a marcação para as bases de soldagem da coluna no chão. Certifique-se de que a placa de localização esteja orientada na direção certa conforme o desenho da disposição geral.
- Faça furos e instale os parafusos de fixação (não incluídos) e as ferramentas de acordo com as instruções de instalação e requisitos do fabricante.
- Posicione as soldagens da coluna no lugar certo.
- Entube as soldagens da coluna usando os métodos de nivelamento listados na página 8, na seção de Ancoragem do sistema.

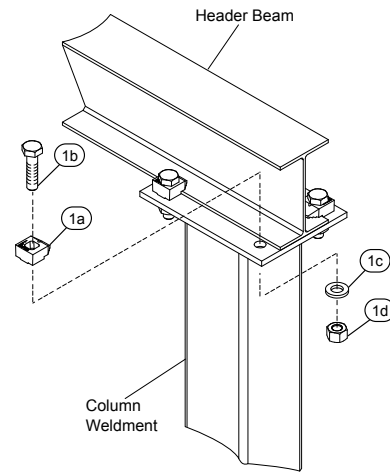
Viga do cabeçote

Consulte Desenho MHP3341 na página 9.



(Desenho MHP3341)

- Levante e posicione a viga do cabeçote em duas soldagens de coluna seguras. Consulte o Desenho da disposição geral fechada para ver as dimensões recomendadas e a localização da viga do cabeçote.
- Usando o Kit conector da coluna com a viga, conecte a viga do cabeçote à soldagem da coluna. Consulte Desenho MHP3331 na página 9.



(Desenho MHP3331)

Item número	Descrição da peça	Quantidade total
1	Kit conector da coluna com a viga	1
1a	Braçadeira	4
1b	Parafuso de cabeça sextavada	4
1c	Arruela achatada	4
1d	Porca sextavada	4

AR: Conforme exigido

Kit conector da coluna com a viga

AVISO

- Uma verificação da corrosão dos elementos expostos e do torque de aperto em devem ser feitos em intervalos regulares conforme previsto no cronograma de manutenção.

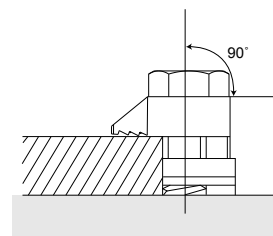
CUIDADO

- A Ingersoll Rand recomenda o uso do Kit conector da coluna com a viga original da Ingersoll Rand. A substituição de peças pode resultar em riscos à segurança, redução do desempenho, aumento de manutenção e pode invalidar todas as garantias.

Instalação de braçadeiras

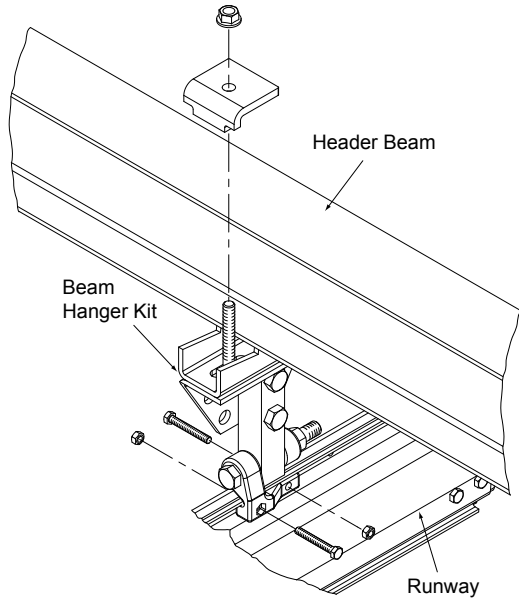
A instalação deve ser efetuada em conformidade com Desenho MHP3345 na página 9. Uma chave de torque deve ser utilizada para confirmar que os parafusos estejam apertados com o torque recomendado (108 lb-pés).

Embora as braçadeiras possam ser reutilizadas, a Ingersoll Rand recomenda a inspeção completa em busca de corrosão ou outros sinais de advertência. Os parafusos e as porcas também devem ser inspecionadas em busca de deformações. Qualquer descascamento das roscas sugere que o parafuso tenha sido apertado demais e é recomendada a substituição do parafuso e da braçadeira.



(Desenho MHP3345)

Pista



(Desenho MHP3347)

1. Consulte o Desenho da disposição geral fornecido com o guindaste autônomo para ver as dimensões recomendadas para posicionar os Kits de suporte suspensor da viga.
2. Monte a viga entre a pista o cabeçote usando suportes suspensos da viga como mostrado na figura.
3. Alinhe as pistas usando um dispositivo de nivelamento padrão. Consulte na seção 'Alinhamento' na página 49.
4. Para instalação de emendas, batentes e cabos de segurança, consulte o Desenho de disposição geral e o manual de Informações do produto do sistema de trilho elevado listado em "DOCUMENTAÇÃO RELACIONADA" na página 46.
5. Certifique-se de que os batentes não sejam montados antes da montagem do final da ponte de passagem da pista.

Alinhamento

Consulte Desenho MHP1613 na página 10.

1. Coloque um nível em cada pista entre os suportes suspensos e nivele as pistas.
2. Coloque um pedaço reto de material entre as pistas e nivele as pistas uma com a outra. Na maioria das aplicações, uma seção de trilho vazia pode ser usada como guia. Se usar um laser para nivelar o sistema, use a borda externa superior do canal de trilho como seu guia.

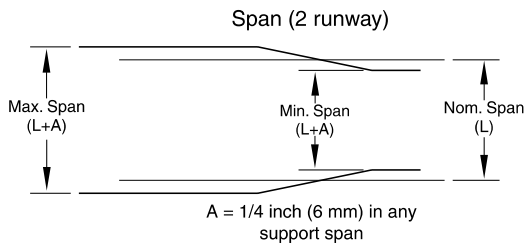
Os guindastes autônomos **Ingersoll Rand** devem ser instalados nivelados e em paralelo, como descrito nestas instruções



- **O não cumprimento dessas especificações pode anular a garantia e pode resultar no desgaste acelerado dos componentes e, possivelmente, na falha nos componentes.**

Nivelamento longitudinal:

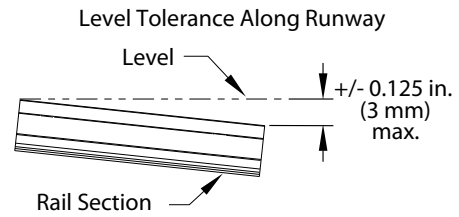
Os sistemas com pistas múltiplas e sistemas de trilho único devem ser nivelados em 0,25 pol (6 mm) de comprimento total. A taxa máxima de variação deve ser menor que 0,125 pol. (3 mm) em centros de 20 pés (6 m).



(Desenho MHP1613)

Elevação (pista a pista):

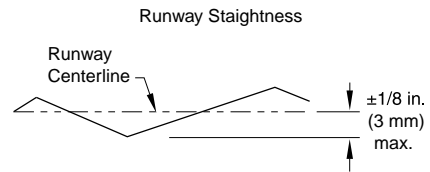
Os sistemas de ponte devem ser nivelados em 0,25 polegadas (6 mm) na extensão da ponte. A taxa máxima de variação deve ser menor que 0,125 pol. (3 mm) em centros de trilhos de 20 pés (6 m).



(Desenho MHP2283)

Centralização de pista a pista:

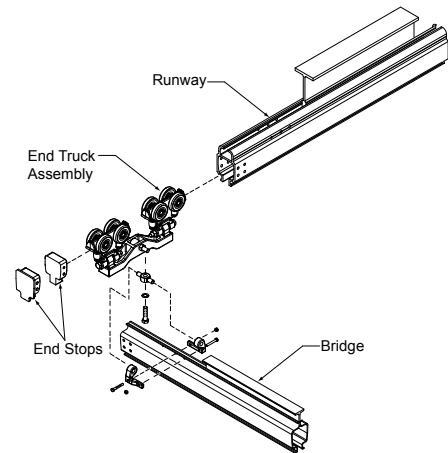
Deve ser de 0,1875 pol. (4 mm) no comprimento total do sistema. A taxa máxima de variação deve ser menor que 0,125 pol. (3 mm) em centros de trilhos de 20 pés (6 m).



(Desenho MHP1711)

Ponte e cabeceira

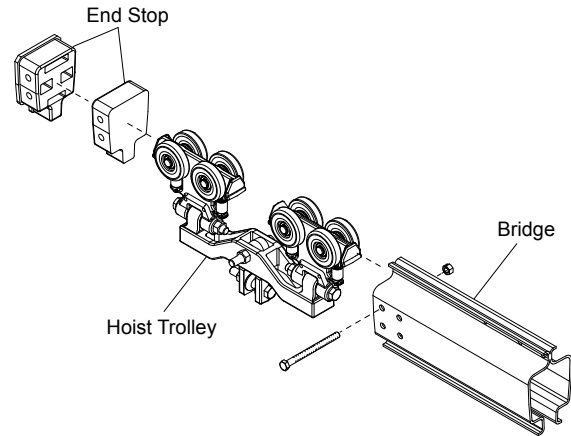
1. Monte as cabeceiras com a ponte como mostrado na figura. Consulte o desenho GA para ver as dimensões locais.
2. Para garantir a instalação correta da ponte, deve haver uma pessoa em cada extremidade.
3. Levante a ponte até as pistas e deslize as rodas nas duas cabeceiras simultaneamente nas extremidades abertas da faixa da pista.
4. Após a ponte ser colocada na pista, é importante que os batentes da pista sejam instalados imediatamente. Isso impedirá que a ponte saia acidentalmente da extremidade aberta.
5. Instale o batente em uma extremidade da ponte, deixando a outra extremidade aberta para instalação do guincho, do posicionador ou do trole do dispositivo de manipulação.
6. O manual técnico de sistema de trilho 16600462 pode ser consultado para ver os diferentes tipos de cabeceiras dependendo das combinações de trilho e dos requisitos de capacidade.



(Desenho MHP3348)

■ Trole

1. Coloque o trole do guincho na extremidade aberta da ponte e instale imediatamente o batente.
2. O manual técnico de sistema de trilho 16600462 pode ser consultado para ver os diferentes tipos de instalações de trole dependendo das combinações de trilho e dos requisitos de capacidade.



(Desenho MHP3343)

TESTANDO A INSTALAÇÃO

⚠ AVISO

- **Nunca levante uma carga de teste se estiver debaixo ou nas proximidades do dispositivo de elevação, do trilho de ponte ou dos conjuntos conectados.**

⚠ CUIDADO

- **Se ocorrer algum problema durante o processo de teste, abaixe a carga imediatamente. Remova a tensão dos dispositivos de elevação, e, em seguida, corrija o problema.**
 - **Limite o acesso ao sistema aos funcionários que leram este manual e são autorizados a instalar, operar, fazer manutenção e/ou reparar o sistema.**
1. Antes da realização de procedimentos de teste, remova todos os funcionários não autorizados do local de instalação.
 2. Todos os funcionários da área de teste deverão usar equipamento de segurança adequado enquanto os procedimentos estiverem em andamento.
 3. Use a lista de verificação de inspeção para evitar negligenciar um perigo potencial.

Etapa 1

Verifique se a ponte, o guincho, o posicionador ou o dispositivo de manutenção se movem livremente em todo o espaço de trabalho previsto sem emperramento.

Etapa 2

Levante uma carga de teste e mantenha distância do sistema. Essa carga deve ter 1/4 da carga suspensa máxima. Observe todos os problemas que possam ocorrer ao levantar essa carga. Repita a etapa 1 com essa carga. Em todas as etapas de testes, corrija todos os problemas que possam ocorrer durante o teste do sistema e refaça o teste, se necessário, antes de partir para a próxima etapa. Se você encontrar algum problema que não saiba corrigir, ligue para a filial ou o distribuidor **Ingersoll Rand** mais próximo.

Etapa 3

Repita a etapa 1 e 2, levante a carga de classificação máxima. Corrija todos os problemas que possam ocorrer ao levantar a carga refaça o teste, se necessário, antes de colocar o sistema em operação. Se você encontrar algum problema que não saiba como corrigir, ligue para a filial ou o distribuidor **Ingersoll Rand** mais próximo.

INFORMAÇÕES

- **Após levantar e posicionar a carga de classificação máxima e concluir o procedimento de teste com êxito, o sistema estará pronto para operar.**

INSPEÇÃO GERAL

O guindaste autônomo **Ingersoll Rand** requer uma inspeção visual antes de cada turno e uma inspeção completa pelo menos a cada seis meses. Se forem encontrados problemas, certifique-se de concluir os procedimentos corretivos antes de continuar com a operação do guindaste autônomo.

1. Mantenha registros adequados de data, hora e funcionários responsáveis por cada inspeção.
2. Examine visualmente o sistema em busca de desgaste ou abrasão devido a movimentos.
3. Verifique todas as peças em busca de sinais de desgaste ou danos.
4. Verifique o ajuste do sistema de trilho. Verifique o alinhamento e o nível de acordo com as especificações.
5. Inspeccione todos os dispositivos de suporte de carga, incluindo braçadeiras, pivôs, caçambas, parafusos e placas de porca em busca de desgaste ou fadiga devido ao uso do sistema.
6. Verifique a coluna de conexão de viga em busca de sinais de desgaste, afrouxamento ou corrosão.
7. Verifique todos as conexões de batentes ou trilhos em busca de danos nas áreas ao redor dos parafusos.
8. Inspeccione todas as montagens de pistas e pontes em busca de saliências causadas por desgaste. Se houver saliências, a seção de trilho deve ser substituída.
9. Inspeccione todas as montagens de caminhões e troles em busca de desgaste em rodas e rolamentos.
10. Inspeccione todos os itens rosqueados e substitua o que tiverem roscas desgastadas.
11. Verifique todas as peças pequenas em busca de sinais de desgaste, sobrecarga ou estresse indevido.
12. Inspeccione todas as peças desmontadas para determinar sua capacidade de uso continuado.
13. Verifique o guincho ou o balanceador e a braçadeira que o prende ao trole. Siga os manuais dos fabricantes e os procedimentos de inspeção para esses dispositivos.
14. Não reutilize as contraporcas.

MANUTENÇÃO

O guindaste autônomo requer inspeção periódica do equipamento de suspensão e de todas as conexões aparafusadas.

AVISO

- **Nunca faça manutenção no sistema enquanto ele estiver com uma carga.**

CUIDADO

- **Todos os problemas de operação, como alterações no esforço de rolamento ou ruídos incomuns, devem ser identificados e corrigidos imediatamente.**

Aperte novamente todas as conexões de parafuso (equipamento de suspensão, troles, equipamento anexo, etc.) duas semanas após a instalação e novamente após dois meses de operação.

O cronograma de manutenção abaixo é fornecido para minimizar os problemas e identificar o desgaste dos componentes. Este gráfico deve ser utilizado com base na utilização do sistema e/ou nos requisitos locais para uma operação segura. Este cronograma não contém inspeções diárias que podem ser exigidas pelas normas locais.

Se houver problemas com o sistema de trilho (componentes gastos ou danificados) e for necessária uma substituição, consulte a lista de peças adequadas para pedir substituições. Alguns componentes só podem ser encomendados em conjuntos completos. Se eles estiverem gastos ou danificados, o conjunto completo deverá ser substituído, não apenas as peças desgastadas.

Componente	Inspeccionado por	Procedimento de manutenção	Intervalo de tempo	
			6 meses	12 meses
Sistema de trilho completo	Condição geral (resistência de rolo, operação difícil).	Limpe e realinhe os componentes do sistema.	X	
Suspensão dos guindastes autônomos/Sistema de trilho	Fixações soltas, desgaste ou danos.	Aperte ou substitua as fixações.		X
	Conexões aparafusadas soltas.	Aperte os parafusos.		X
Kit conector da coluna com a viga	Conexões de braçadeira soltas.	Aperte ou substitua.		X
	Corrosão.	Substitua		X
Trilhos de pista e trilhos de ponte.	Conexões de braçadeiras aparafusadas soltas.	Aperte os parafusos das braçadeiras.		X
	Conexões de braçadeiras de trilho aparafusadas soltas.	Aperte as conexões.		X
	Desgaste da suspensão.	Substitua os componentes gastos.		X
	Conexões soltas.	Aperte as conexões.		X
Emendas do sistema de trilho e batentes	Conexões aparafusadas soltas.	Aperte os parafusos da emenda e dos batentes		X
	Alinhamento de junta inadequado.	Realinhe as juntas.		X

■ Limpeza

É importante agendar uma limpeza periódica do Sistema de trilho elevado e suas peças.

A frequência de ciclos de limpeza dependerá do uso do sistema, dos funcionários que operam o sistema e do meio ambiente em que o sistema está instalado. A proteção do sistema e de suas superfícies contra abusos, desgaste, deterioração ou outros danos irá melhorar sua aparência e vida útil.

Ambientes muito úmidos e contaminantes podem destruir rapidamente a integridade do sistema. Embora o sistema seja feito na maior parte resistente à corrosão, a umidade e produtos químicos terão efeito com o passar do tempo. A manutenção e a conservação de pontes, trilhos e dispositivos de suspensão são tão importantes quanto a manutenção de qualquer equipamento, seja elétrico ou mecânico.

Use os procedimentos a seguir para limpar os componentes do Sistema de trilho elevado

1. Limpe todos os conjuntos de suporte suspensores com LUBRI-LINK-GREEN® ou espirre WD40® e seque com ar comprimido.
2. Limpe todas as carriois e troles usando um limpador apropriado. Seque usando ar em baixa pressão, filtrado e comprimido.

As rodas do trole têm rolamentos anti-fricção que são lubrificadas permanentemente e somente exigem peças de reposição em condições extremas. Se essas rodas precisarem ser substituídas, elas podem ser adquiridas separadamente; não há necessidade de substituir o conjunto todo.

CUIDADO

- **Durante a manutenção, coloque um aviso no sistema:**
"ATENÇÃO - NÃO OPERAR - EQUIPAMENTO EM REPARO".
- **Não tente reparar peças do sistema. Substitua a peça ou consulte um centro de serviço Ingersoll Rand autorizado.**
- **Não reutilize as contraporcas; instale novas contraporcas.**
- **Permita que somente funcionários treinados na operação e manutenção do sistema realizem o serviço.**

INFORMAÇÕES

- **Inspeção visualmente o sistema antes de cada turno em busca de desgaste ou danos.**
- **Informe o supervisor ou o funcionário de manutenção de acordo com a política ou os procedimentos da empresa, sobre qualquer manutenção necessária. Substitua todos os componentes danificados do sistema. Registre todas as inspeções, limpeza, manutenção e reparo.**
- **Após a realização da manutenção, teste o sistema em sua capacidade classificada antes de retornar à operação.**

3. Remova a sujeira acumulada, os sedimentos e a corrosão das placas de metal, buchas, roletes e pinos.

AVISO

- **Solventes e algumas soluções de limpeza podem ser perigosos para sua saúde. Cuidado com misturas de produtos de limpeza ou solventes e os vapores que eles produzem. Utilize ventilação adequada. Use vestuário de proteção, óculos de proteção, luvas e outros vestuários de segurança adequados. Siga as instruções dos fabricantes.**

CUIDADO

- **Limpe todo o excesso de fluidos de limpeza, óleo, graxa ou derramamentos imediatamente após sua ocorrência.**

INFORMAÇÕES

- **Durante a limpeza de rotina, sempre verifique se há peças desgastadas, danificadas ou ou quebradas precisando de substituição.**

DESMONTAGEM DO SISTEMA GERAL

Nunca desmonte componentes ou conjuntos mais do que o necessário para realizar o reparo necessário. Se for usada a força excessiva, uma peça boa pode ser danificada durante a desmontagem. Não use calor para soltar peças, a menos que já estejam gastas ou danificadas sem condições de reparo, e que não ocorra nenhum dano às outras peças. Como regra geral, o canal que forma a seção do trilho e da ponte deve ser removido por meio da desmontagem das peças separadas nas juntas emendadas. Em casos em que as seções do trilho e da ponte precisem ser removidas em conjuntos completos, use um cabo ou uma correia de segurança para restringir a distância em que uma seção pode cair quando removida. Analise todos os procedimentos de segurança indicados nos capítulos anteriores para se familiarizar com as questões de segurança e precauções.

CUIDADO

- **Nunca desmonte o sistema sozinho. Tenha sempre alguém para ajudar.**
1. Desligue e purgue o fornecimento de ar.
 2. Desconecte o fornecimento de ar da base de ar da ponte e o regulador de ar da pista.
 3. Remova um batente da seção da ponte.
 4. Remova o sistema de cabos, o guincho, o posicionador ou o dispositivo de levantamento da seção da ponte.
 5. Remova um batente de uma extremidade de cada pista.
 6. Remova a seção da ponte e os troles do conjunto de cabos.

7. Remova os cabos de segurança das pistas.
8. Solte as abas de fixação na braçadeira da viga I.
9. Remova a seção de trilho.

10. Repita isso no lado oposto.

DIAGNÓSTICO DE FALHAS

Esta seção fornece informações básicas de diagnóstico de falha. As causas específicas dos problemas são mais bem identificadas por inspeções minuciosas realizadas por funcionários instruídos em segurança, operação e manutenção deste equipamento. O gráfico abaixo apresenta um breve guia dos sintomas comuns do trilho, causas prováveis e soluções.

Sintoma	Causa	Solução
Mudança no esforço de rolamento ou operação irregular.	Sujeira ou obstrução no trilho.	Limpe todas as peças e verifique se há desgaste.
	Trilho danificado ou dobrado.	Inspeccione todas as peças e substitua as que estiverem danificadas. Determine a causa do dano antes da operação.
	Pista ou ponte desalinhada.	Verifique se há parafusos soltos ou quebrados. Aperte se estiver solto ou substitua se estiver quebrado. Verifique o alinhamento.
	Rodas do trole gastas ou danificadas e/ou roletes de guia.	Inspeccione as rodas e os roletes. Substitua as peças danificadas.
	Seções emendadas desalinhadas.	Certifique-se de que as superfícies de deslizamento internas da emenda estejam alinhadas.
Ruídos estranhos.	Rolete de guia de trole e/ou roda quebrado.	Inspeccione e substitua peças danificadas.
	Sujeira ou obstrução no trilho.	Limpe todas as peças e verifique se há desgaste.
Rastejamento de carga.	Desnívelamento de ponte ou pista.	Nivele os componentes de acordo com as especificações.
	Pista ou ponte sobrecarregada.	Reduza a carga para dentro da capacidade classificada.
Funcionamento inadequado do dispositivo de guincho, posicionador ou manipulador	Mangueira de ar, conexões ou cabos elétricos com vazamento ou danificados.	Verifique e repare os vazamentos. Aperte as conexões se estiverem soltas. Substitua os cabos elétricos. Consulte o manual de serviço de dispositivo de guincho, posicionador ou manipulador para ver mais instruções de reparo.

GARANTIA

Garantia limitada Ingersoll Rand A

Empresa Ingersoll Rand ("IR") garante ao usuário original de seus produtos de manuseio de materiais ("Produtos") estão livres de defeitos de material e mão de obra por um período de um ano a partir da data de compra. A IR irá, a seu critério (1) reparar, sem custo, qualquer produto com defeito, incluindo peças e encargos de mão de obra, ou (2) substituir esses produtos ou reembolsar o valor da compra, com um desconto razoável por depreciação, na troca do Produto. Reparos ou substituições estão garantidos para o restante da garantia original.

Se o produto apresentar defeito dentro do ano de origem do período de garantia, ele deverá ser devolvido a qualquer Distribuidor de serviço de produto autorizado, transporte pré-pago com o comprovante de compra ou cartão de garantia. Esta garantia não se aplica a produtos que a IR determinou terem sido utilizados inadequadamente ou abusados, indevidamente mantidos pelo usuário ou produtos cujo funcionamento inadequado ou defeito pode ser atribuído ao uso de peças não originais da IR.

A IR NÃO FAZ NENHUMA OUTRA GARANTIA, CONDIÇÃO OU REPRESENTAÇÃO DE QUALQUER TIPO, EXPRESSA OU IMPLÍCITA, ESTÁTUTÁRIA OU DE OUTRA FORMA, E TODAS AS GARANTIAS E CONDIÇÕES IMPLÍCITAS REFERENTES À COMERCIALIZAÇÃO E ADEQUAÇÃO A UMA FINALIDADE ESPECÍFICA SÃO EXCLUÍDAS.

A responsabilidade máxima da IR é limitada ao preço da compra do produto e em nenhuma situação a IR deverá ser responsabilizada por danos consequenciais, incidentes indiretos ou especiais de nenhuma natureza resultantes da venda ou do uso do Produto, seja em contrato, ato ilícito ou de outra forma.

Nota: alguns estados não permitem limitações de danos incidentais ou consequentes, de modo que as limitações podem não se aplicar a você. Esta garantia lhe dá direitos legais específicos e você também pode ter outros direitos que podem variar em diferentes estados.

Para mais informações ou cotações de garantias de que não se enquadrem nestes parâmetros adicionais, entre em contato com o seu Representante de serviços ao cliente com suas necessidades.

AVISO IMPORTANTE

É nossa política promover a entrega segura de todos os pedidos.

Este despacho foi minuciosamente verificado, embalado e inspecionado antes de sair da nossa fábrica e foi recebido em bom estado da transportadora. Qualquer perda ou dano que ocorra a este despacho enquanto estiver em rota não é devido a nenhuma ação ou conduta do fabricante.

Perda ou dano visível

Se qualquer uma das mercadorias especificada no comprovante de carga ou recibo expresso estiver danificada ou a quantidade for menor, não aceite até que o frete ou o agente expresso faça uma notação apropriada em seu recibo de entrega ou recibo expresso.

Perda ou dano oculto

Quando um despacho tiver sido entregue a você em bom estado de conservação aparente, mas ao abrir a caixa ou recipiente houver ocorrido perda ou dano, no trânsito, notifique seu agente transportador imediatamente.

Reclamações por danos

Você deve apresentar reclamações por danos à transportadora. É responsabilidade da empresa de transporte o reembolso para reparo ou substituição de mercadorias danificadas durante o despacho. Reclamações por perdas ou danos durante o envio não devem ser deduzidas da fatura da **Ingersoll Rand**, e o pagamento da fatura da **Ingersoll Rand** não deve ser retido aguardando ajuste de tais alegações, pois a transportadora garante entrega segura.

É possível devolver produtos danificados durante o despacho, para nós, para conserto, e esses serviços ficarão por sua conta e formam a base para a reclamação contra a transportadora.

NOTAS DE SERVIÇO

NOTAS DE SERVIÇO
