

Specifications :

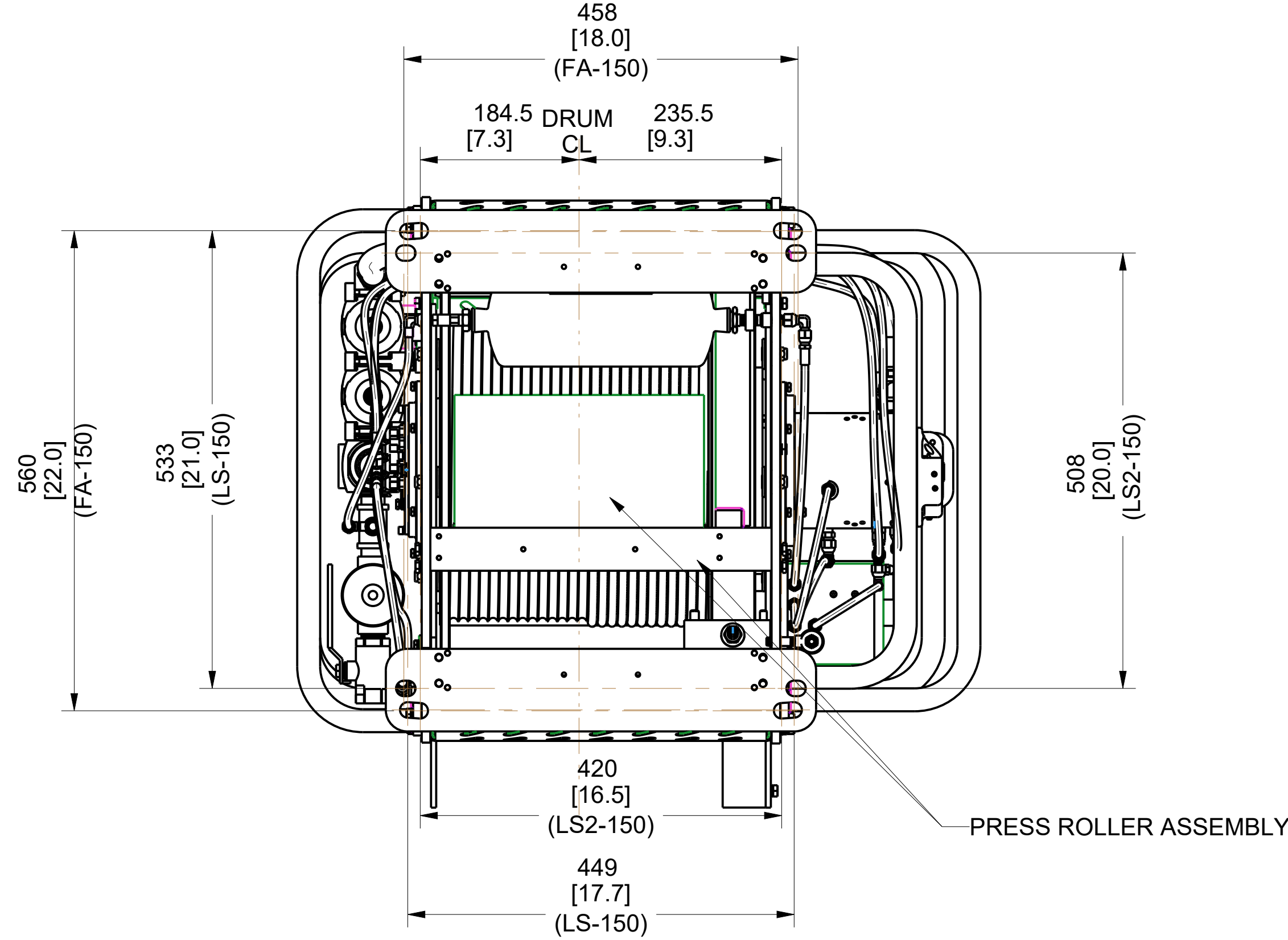
- Rated working load : 150 kg
- Lifting speed (with rated load) : 0 to 30 m/min at 6.3bar
- Free air consumption : 0 to 2.5 m3/min
- Working pressure range : 5 to 7 bar
- Recommended rope diameter : 10 mm
- Weight without rope : about 210 kg
- Working rope capacity : 54 m on 2 layers
- Total rope storage capacity : 154 m on 5 layers

Standard Features / Equipment :

- Two independent auto brakes: an internal multidisc brake and external drum band brake.
- Stainless Steel throttle lever returns to off position and locks when released
- High efficiency planetary gearing is inside drum for better protection and minimum overall dimensions
- Overload protection device (torque limiter)
- Main air emergency stop
- Emergency lowering device
- Slack wire detector
- Upper & lower limit switch assembly mounted inside drum
- Assisting spooling device – for better rope winding at no load. (Press roller)
- Stainless Steel Drum Guards
- Braided Stainless Steel Hoses
- Geomet coated fasteners
- Grooved drum (for wire rope \varnothing 10 mm)
- Air prep package includes
Water separator - Filter – Regulator – Lubricator
- Sandblasting and offshore paint 290 μ
- Installation and operation manual
- ABS and DNV type approved with CE certification
- Design temperature TD = -20° C

THIS VIEW SHOWS DECK MOUNTING HOLES THAT INCORPORATE FA150KG(i)MR, LS150RLP AND LS2-150RLP DECK MOUNTING PATTERNS.

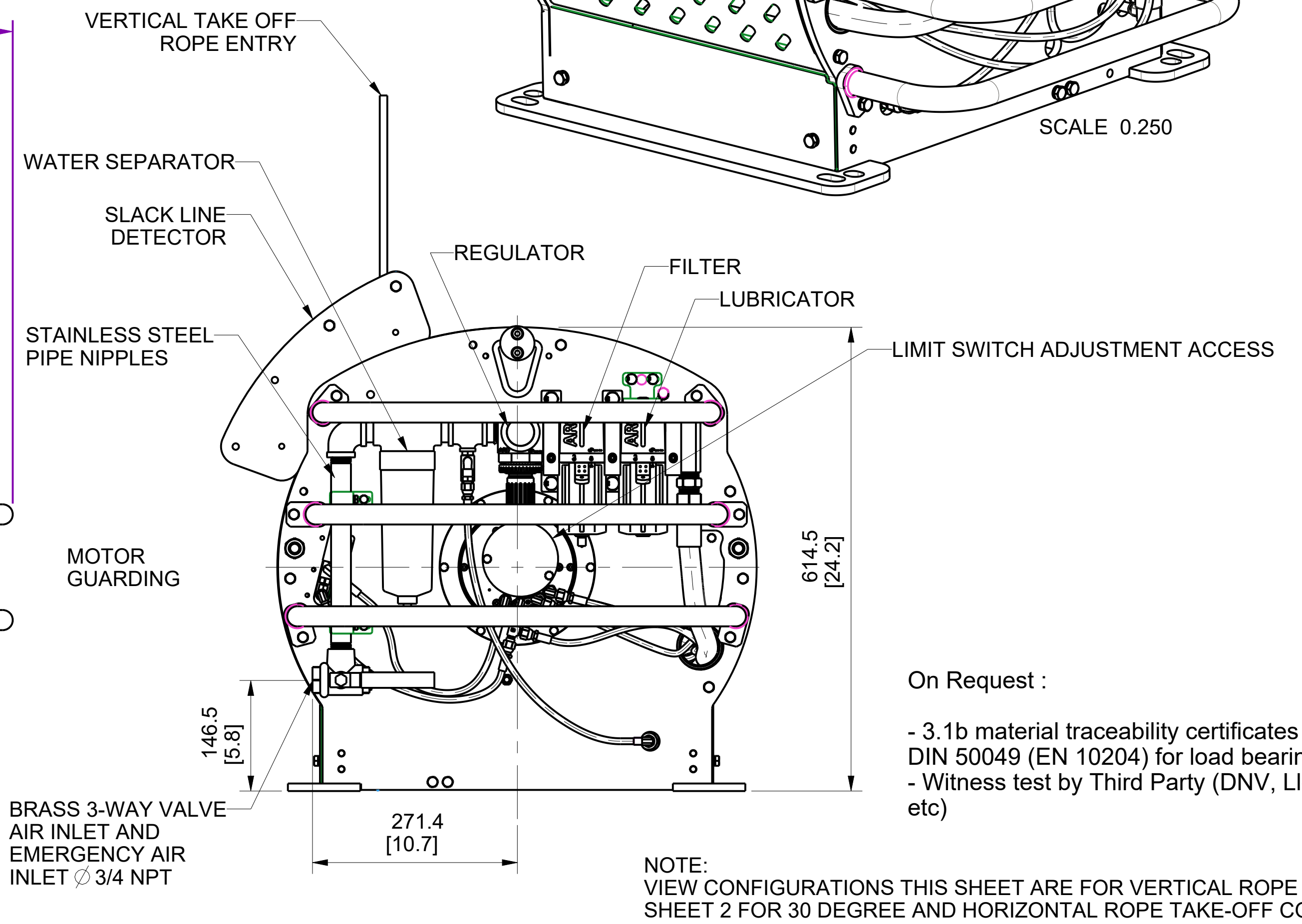
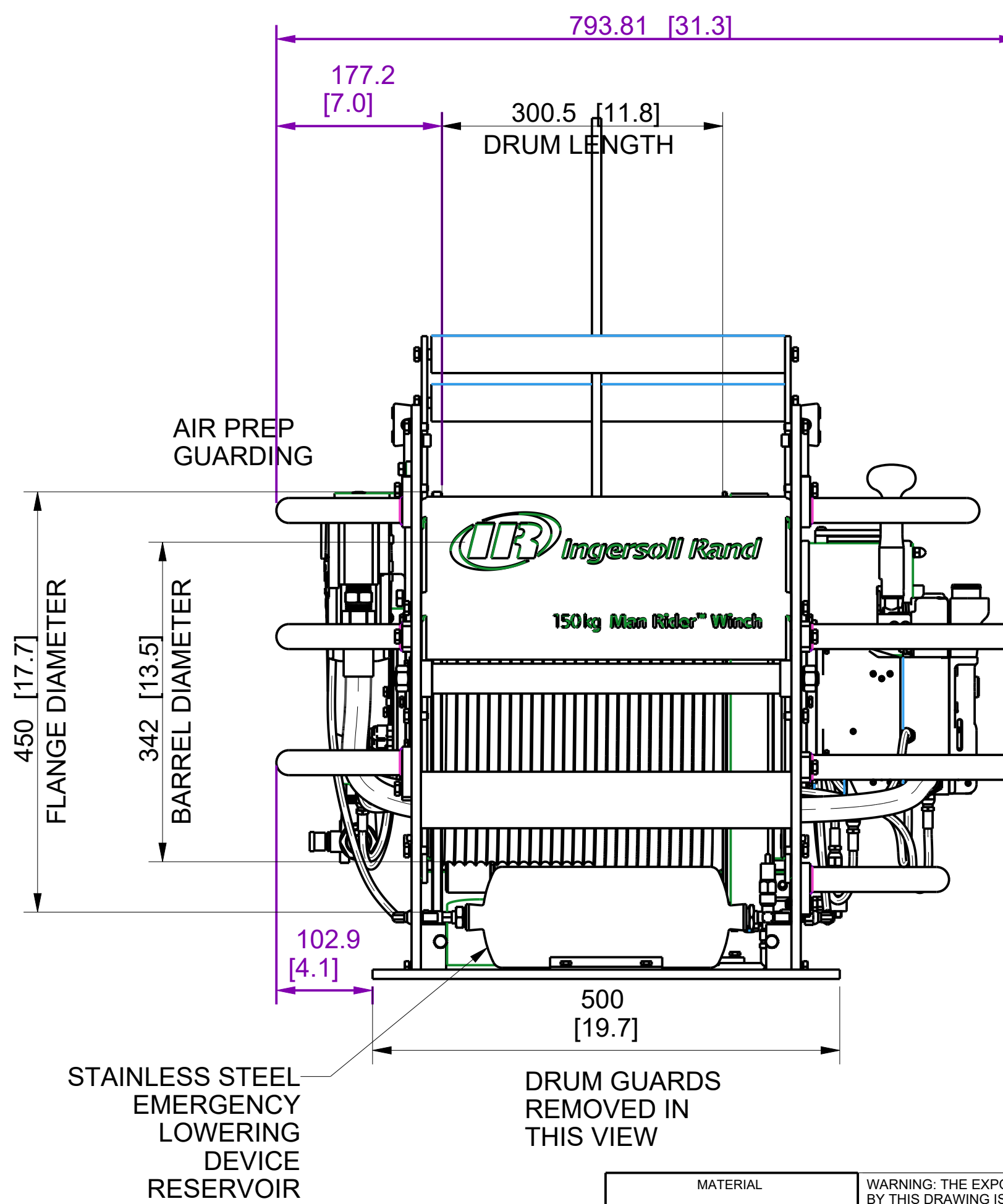
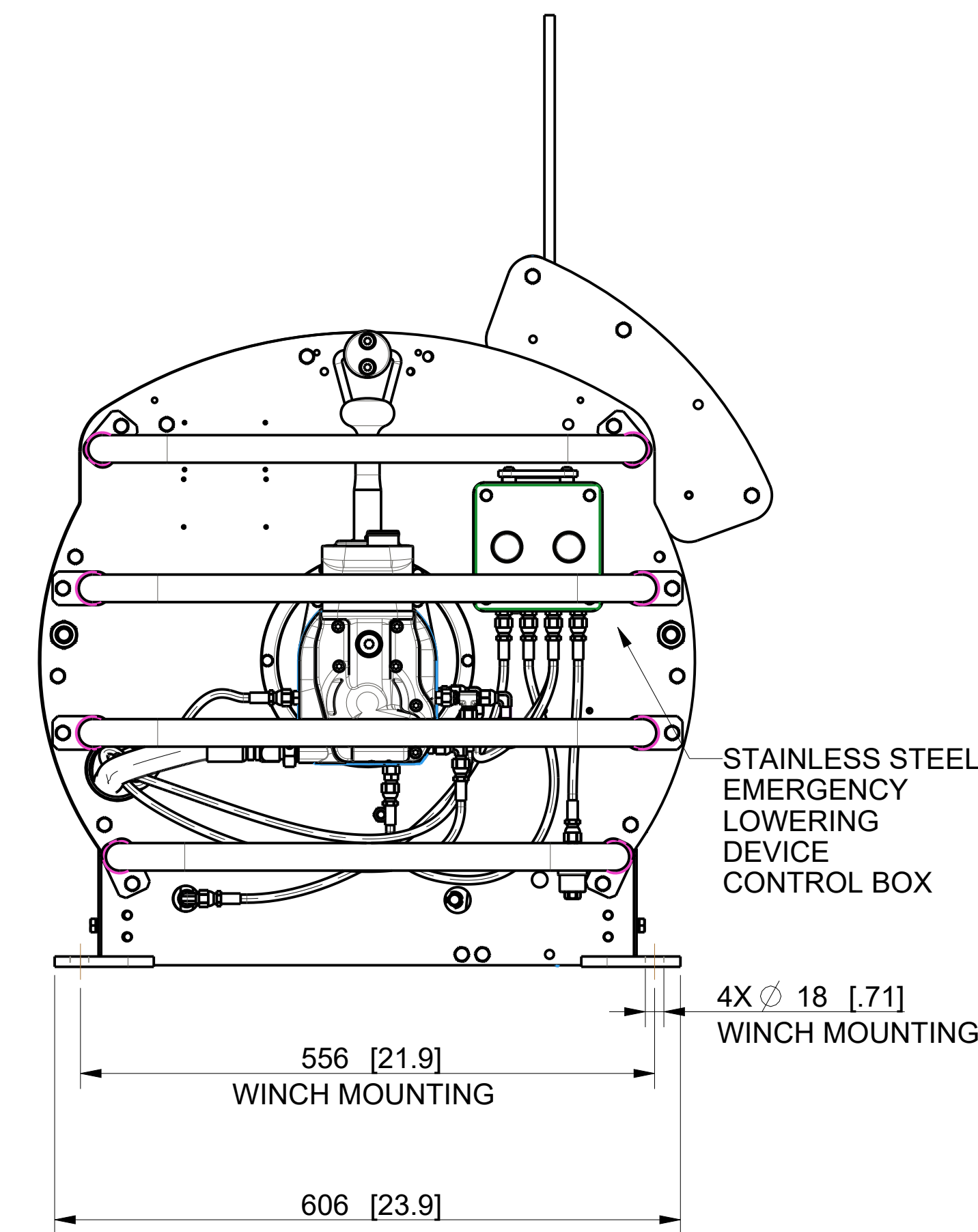
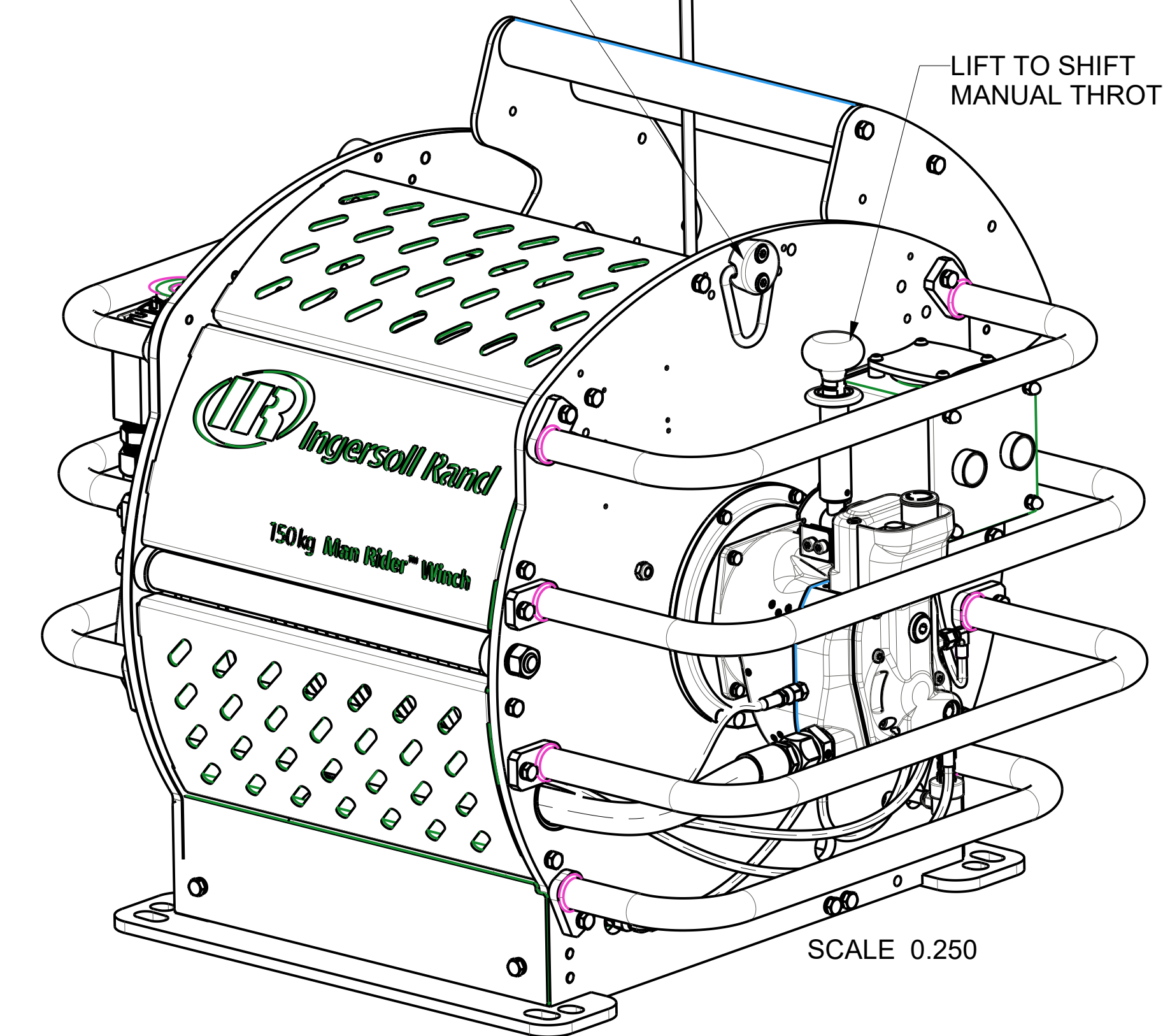
BOTTOM VIEW



REVISIONS					
ZONE	REV	ECN	DESCRIPTION	DATE	APPD
	D	1170672	MOVED INSIDE R9 HOLES ON BASE RAIL	09-05-17	JJW
	E	1284767	MOVED INSIDE R9 HOLES ON BASE RAIL	01-16-18	JJW
	F	1414046	ELD BOX, AIR PREP, FLANGES & TUBE GUARDS DESIGN UPDATE	18-11-2021	AG

GEOMET COATED LIFT SWIVEL RINGS

LIFT TO SHIFT MANUAL THROTTLE

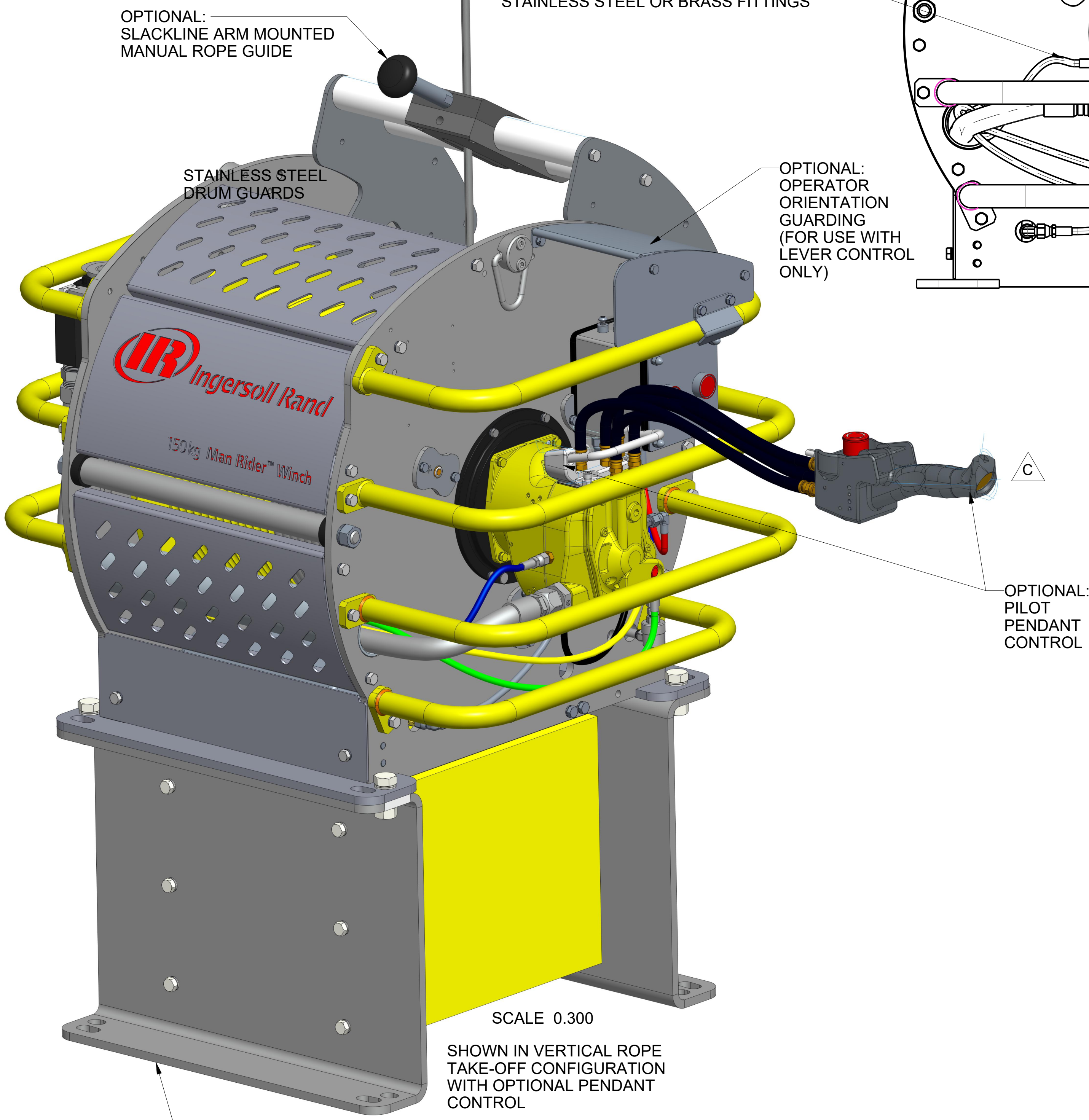


On Request :

- 3.1b material traceability certificates according to DIN 50049 (EN 10204) for load bearing parts
- Witness test by Third Party (DNV, Lloyd's, ABS, etc)

NOTE: VIEW CONFIGURATIONS THIS SHEET ARE FOR VERTICAL ROPE TAKE-OFF SEE SHEET 2 FOR 30 DEGREE AND HORIZONTAL ROPE TAKE-OFF CONFIGURATIONS

<p>MATERIAL</p> <p>Material PN:</p> <p>STANDARD TOLERANCES</p> <p>ALL DIMENSIONS ARE IN MILLIMETERS [INCHES (IF SHOWN)]</p> <p>UNLESS OTHERWISE SPECIFIED TOLERANCES ON DIMENSIONS TO BE IN ACCORDANCE WITH ISO 2768 mH</p> <p>BREAK EDGES 0.3 A 45°</p> <p>Ingersoll-Rand Industrial Technologies</p>	<p>WARNING: THE EXPORT OR REEXPORT OF THIS DRAWING OR A PRODUCT PRODUCED BY THIS DRAWING IS SUBJECT TO U.S. EXPORT ADMINISTRATION REGULATIONS AND OTHER APPLICABLE GOVERNMENT RESTRICTIONS OR REGULATIONS.</p> <p>PROPRIETARY NOTICE</p> <p>THIS DRAWING CONTAINS CONFIDENTIAL AND TRADE SECRET INFORMATION, IS THE PROPERTY OF INGERSOLL-RAND CO., AND IS GIVEN TO THE RECEIVER IN CONFIDENCE. THE RECEIVER BY RECEPTION AND RETENTION OF THE DRAWING ACCEPTS THE DRAWING IN CONFIDENCE AND AGREES THAT, EXCEPT AS AUTHORIZED IN WRITING BY INGERSOLL-RAND CO., IT WILL (1) NOT USE THE DRAWING OR ANY COPY THEREOF OR THE CONFIDENTIAL OR TRADE SECRET INFORMATION THEREIN; (2) NOT COPY THE DRAWING; (3) NOT DISCLOSE TO OTHERS EITHER THE DRAWING OR THE CONFIDENTIAL OR TRADE SECRET INFORMATION THEREIN; AND (4) UPON COMPLETION OF THE NEED TO RETAIN THE DRAWING, OR UPON DEMAND, RETURN THE DRAWING, ALL COPIES THEREOF, AND ALL MATERIAL COPIED THEREFROM.</p>	<p>DO NOT SCALE DRAWING</p> <p>DRAWING CONFORMS TO ISO 1101</p> <p>CAD GENERATED DRAWING, NO MANUAL REVISIONS ALLOWED</p> <p>UNLESS OTHERWISE SPECIFIED: - REMOVE ALL BURRS AND SHARP CORNERS - WELD SYMBOLS TO BE IN ACCORDANCE WITH NFE 52-109 1-2</p> <p>COPYRIGHT © 2021 Ingersoll Rand ALL RIGHTS RESERVED</p>	<p>FIRST ANGLE PROJECTION</p> <p>DRAWN GWM DATE 08-13-13</p> <p>CHECKED DATE</p> <p>APPROVED AAJ DATE 08/26/13</p> <p>DRAWING TYPE Detail Drawing NOMENCLATURE 45980208</p>	<p>IR Ingersoll Rand</p> <p>NAME GENERAL ARRANGEMENT MAN RIDER WINCH MR150K</p>		
				<p>ESTIMATED WEIGHT (KG UNLESS OTHERWISE SPECIFIED) 453.5 kilogram</p> <p>SCALE 0.10 MODEL MR150K SHEET 1 OF 2</p>	<p>PART NO. 45980208</p> <p>REVISION F</p>	<p>SIZE A1</p>



SCALE 0.300
SHOWN IN VERTICAL ROPE TAKE-OFF CONFIGURATION WITH OPTIONAL PENDANT CONTROL

OPTIONAL:
376mm [14.8] TALL PEDESTAL.
PEDESTAL FEATURES STAINLESS STEEL FORMED SIDEPLATES WITH DECK MOUNTING HOLES THAT INCORPORATE FA150KG(i)MR, LS150LRP AND LS2-150RLP DECK MOUNTING PATTERNS. THESE DECK MOUNT PATTERNS ARE DETAILED ON SHEET 1

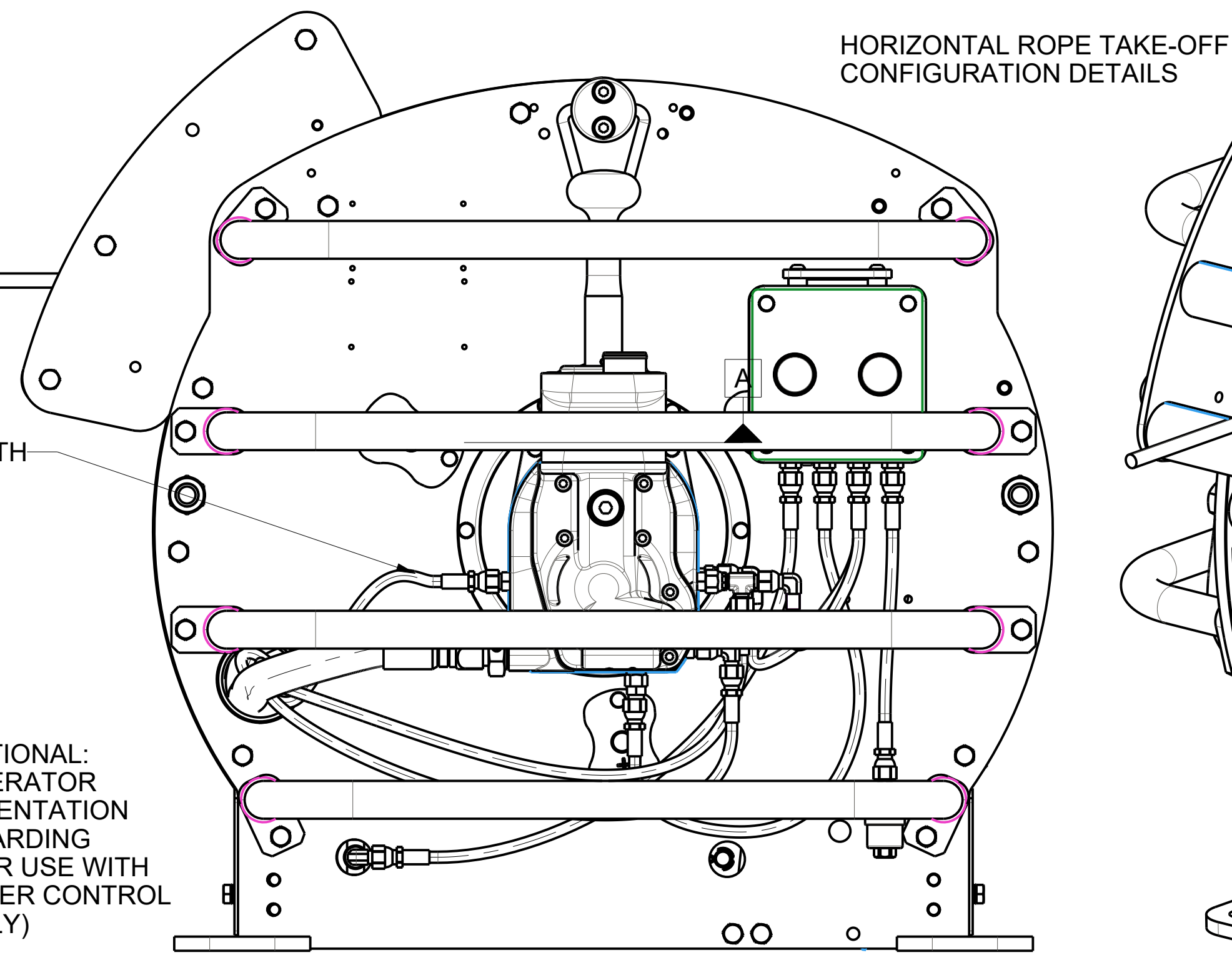
BRAIDED STAINLESS STEEL HOSES WITH STAINLESS STEEL OR BRASS FITTINGS

OPTIONAL:
SLACKLINE ARM MOUNTED MANUAL ROPE GUIDE

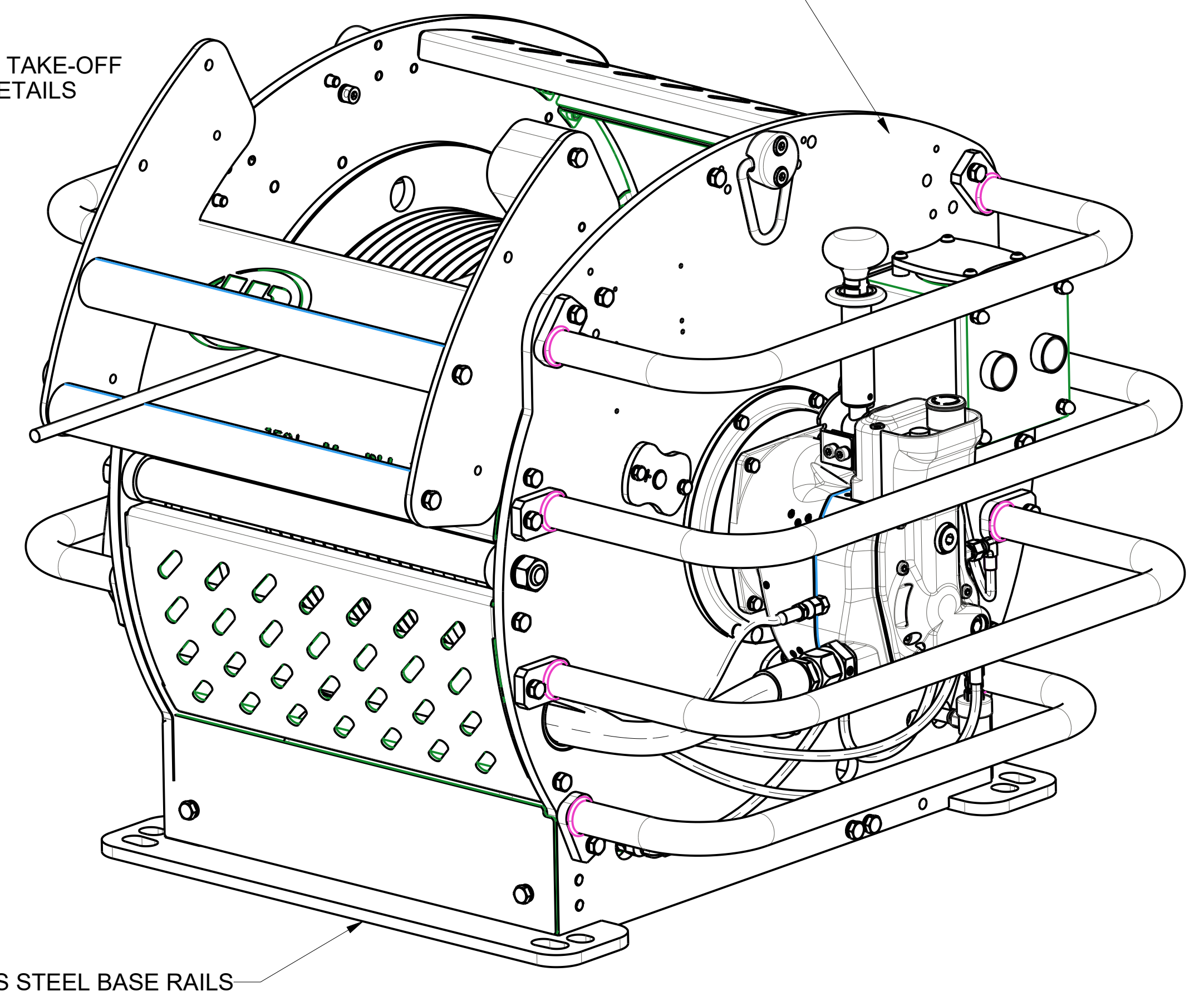
STAINLESS STEEL DRUM GUARDS

OPTIONAL:
OPERATOR ORIENTATION GUARDING (FOR USE WITH LEVER CONTROL ONLY)

OPTIONAL:
PILOT PENDANT CONTROL

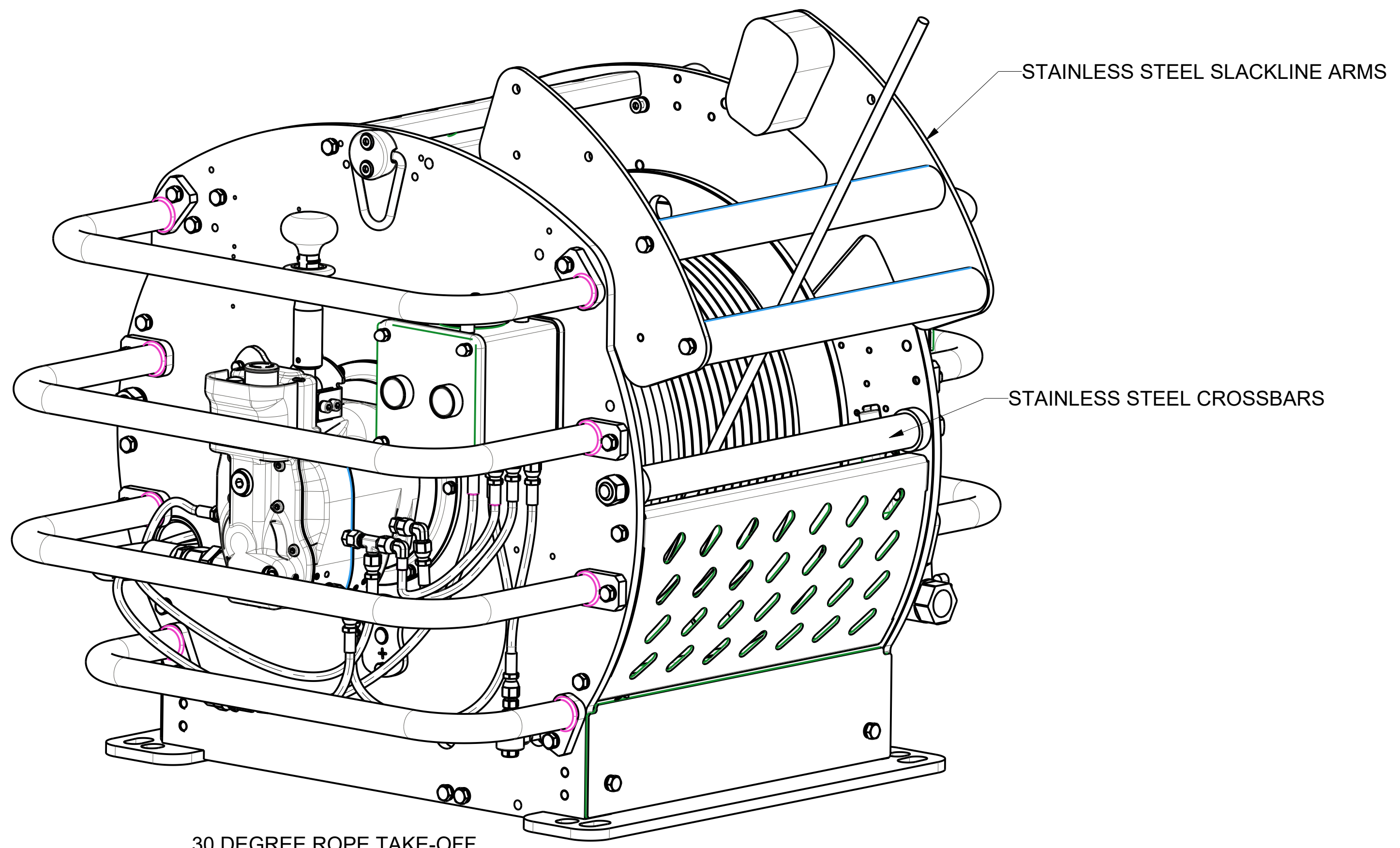


HORIZONTAL ROPE TAKE-OFF CONFIGURATION DETAILS



STAINLESS STEEL UPRIGHTS

STAINLESS STEEL BASE RAILS



30 DEGREE ROPE TAKE-OFF CONFIGURATION DETAILS

STAINLESS STEEL SLACKLINE ARMS

STAINLESS STEEL CROSSBARS

<small>PROPRIETARY NOTICE</small> THIS DRAWING CONTAINS CONFIDENTIAL AND TRADE SECRET INFORMATION. IS THE PROPERTY OF INGERSOLL RAND CO. AND IS GIVEN TO THE RECEIVER IN CONFIDENCE. THE RECEIVER BY RECEIPT AND RETENTION OF THIS DRAWING AGREES THAT, EXCEPT AS AUTHORIZED IN WRITING BY INGERSOLL RAND CO. IT WILL (1) NOT USE THE DRAWING OR ANY COPY THEREOF OR THE CONFIDENTIAL OR TRADE SECRET INFORMATION THEREIN, (2) NOT COPY THE DRAWING, (3) NOT DISCLOSE TO OTHERS EITHER THE DRAWING OR THE CONFIDENTIAL OR TRADE SECRET INFORMATION THEREIN, AND (4) UPON COMPLETION OF THE NEED TO RETAIN THE DRAWING OR UPON DEMAND, RETURN THE DRAWING, ALL COPIES THEREOF, AND ALL MATERIAL COPIED THEREFROM.		NAME GENERAL ARRANGEMENT MAN RIDER WINCH MR150K	
SIZE A1	DWG NO. 45980208	REVISION F	
SCALE 0.30	NOMENCLATURE 45980208	SHEET 2	OF 2