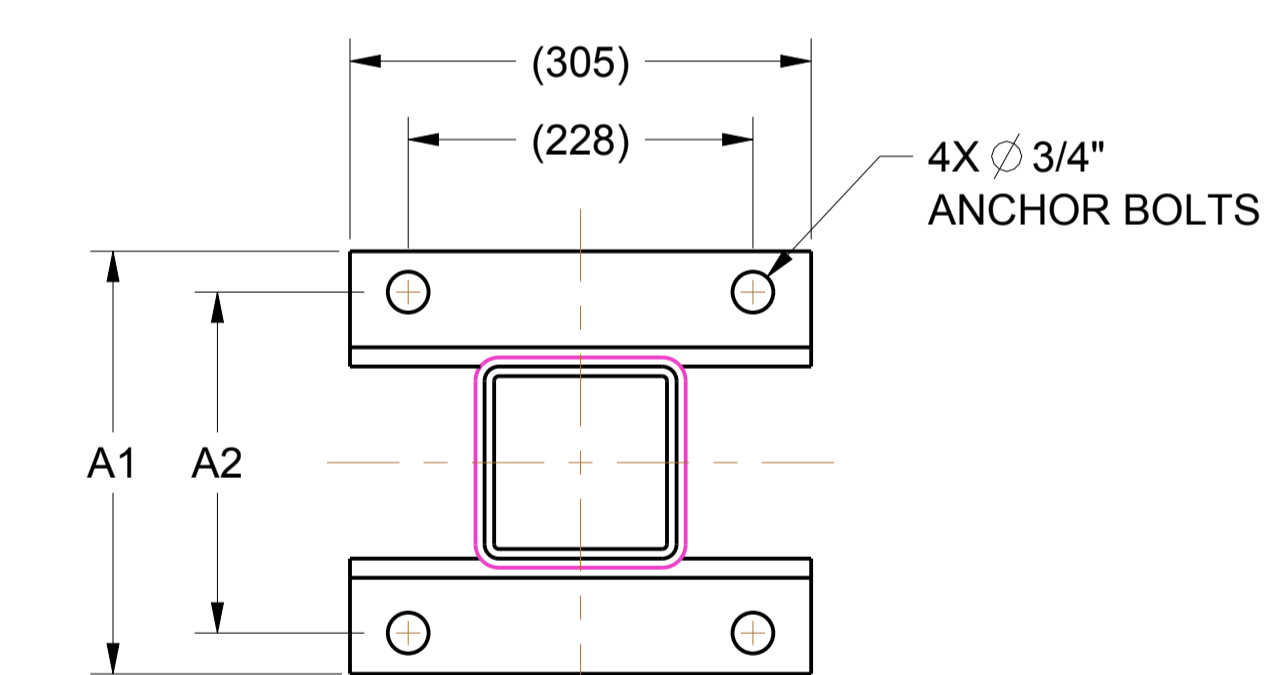
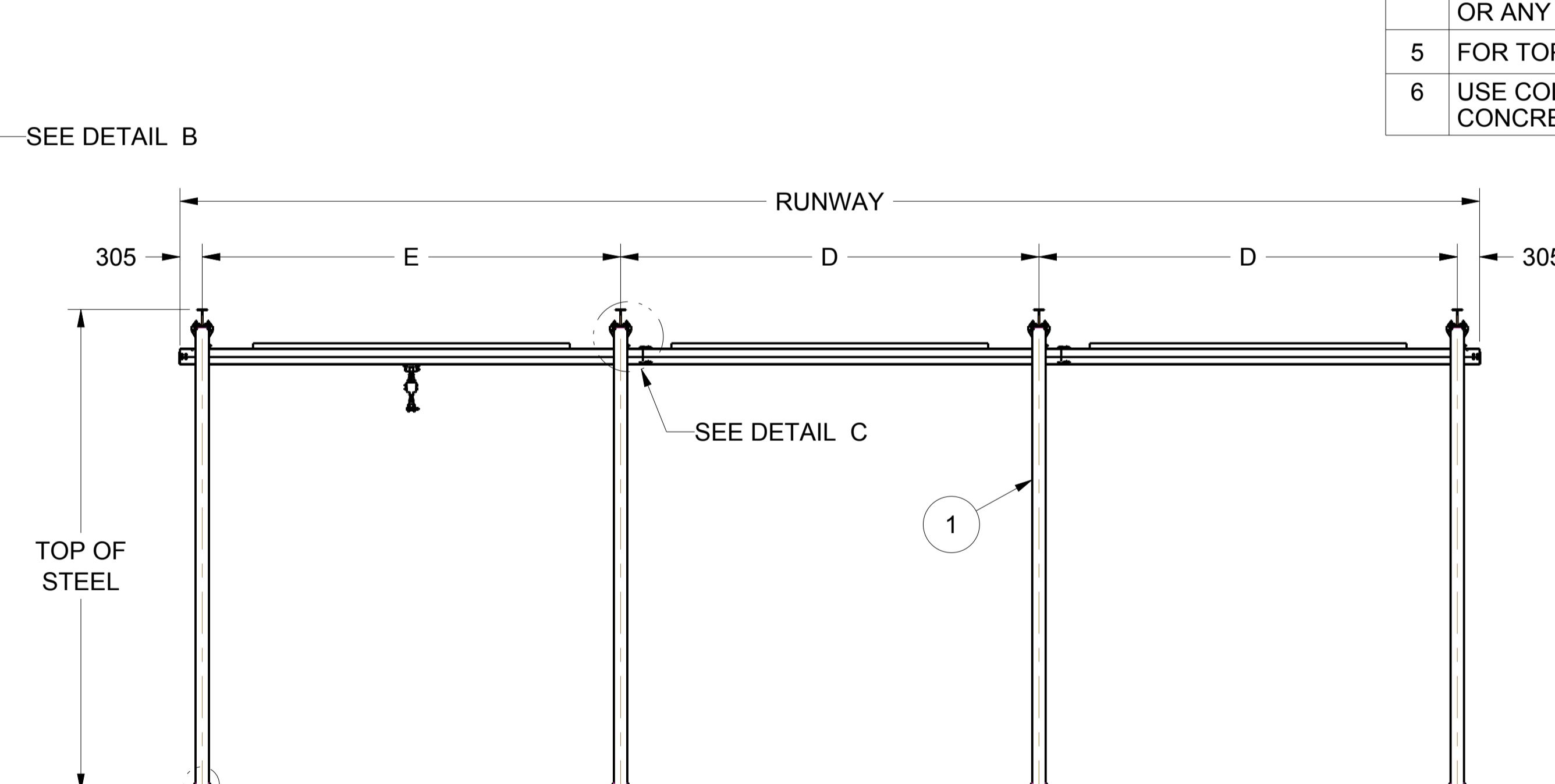
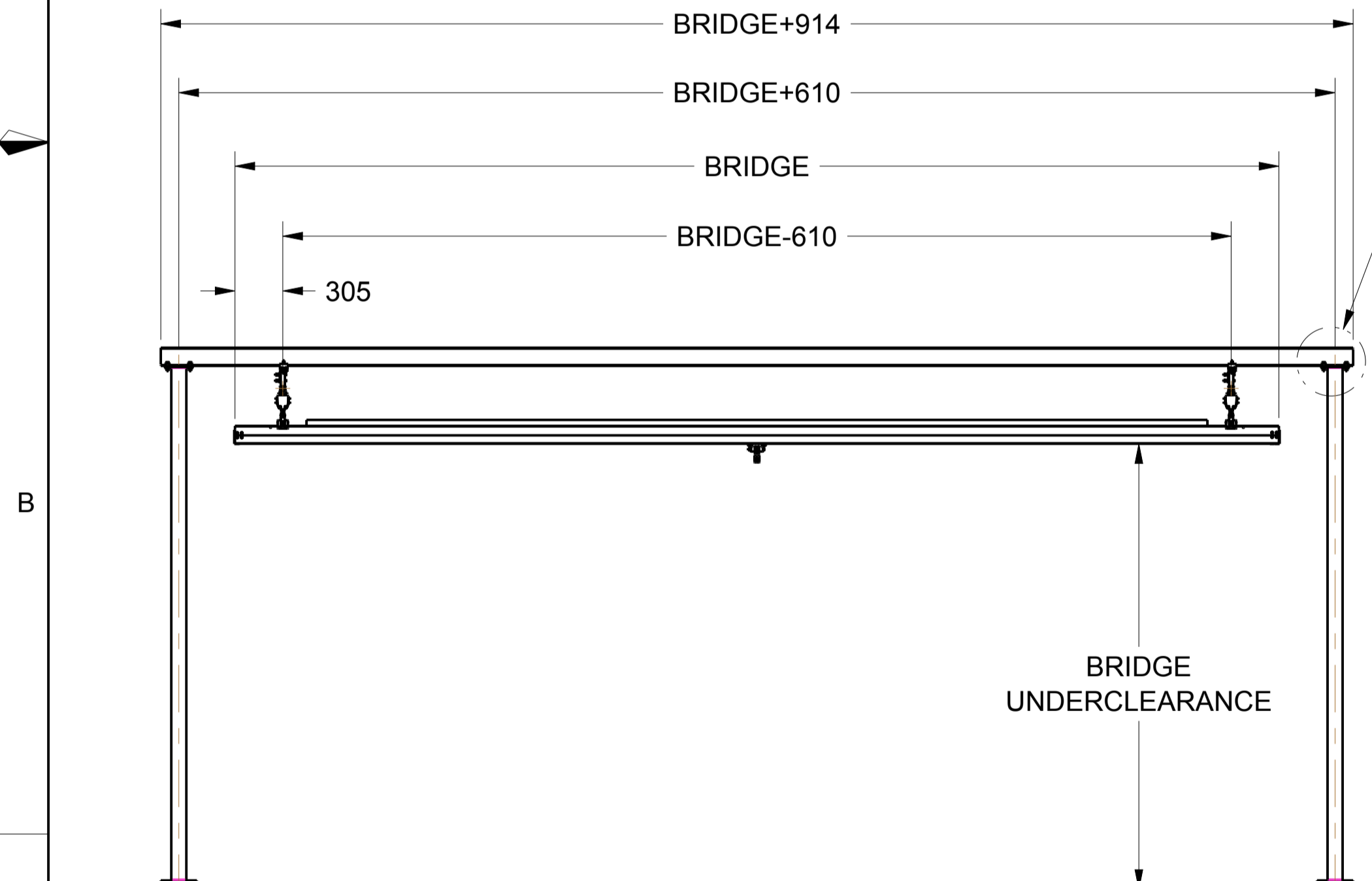
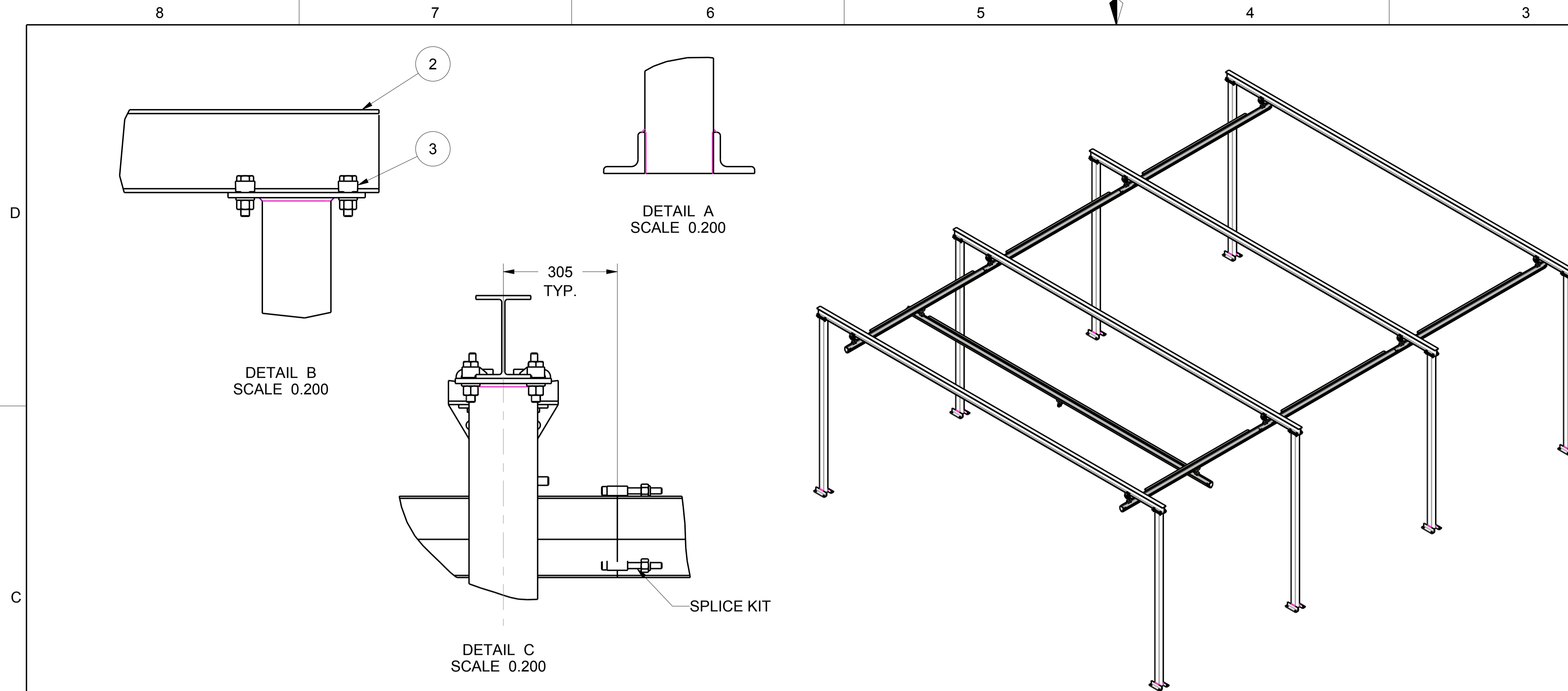


REVISIONS					
ZONE	REV	ECN	DESCRIPTION	DATE	APPD
	A		ORIGINAL RELEASE	02-13-13	AKB

BILL OF MATERIAL					
PART	ITEM	AMT	DESCRIPTION		
-	1	8	COLUMN WELDMENT		
-	2	4	HEADER BEAM		
*	3	8	COLUMN TO BEAM CONNECTOR KIT		
24308157	4	1	PRODUCT INFORMATION MANUAL- FREE STANDING WORKSTATION CRANES		
71341101	5	1	PRODUCT INFORMATION MANUAL - Z RAIL ALUMINUM AND STEEL OVERHEAD RAIL SYSTEM		
16600470	6	1	MAINTENANCE INFORMATION MANUAL - Z RAIL ALUMINUM AND STEEL OVERHEAD RAIL SYSTEM		
16600462	7	1	PARTS INFORMATION MANUAL - Z RAIL ALUMINUM AND STEEL OVERHEAD RAIL SYSTEM		
16600454	8	1	SAFETY INFORMATION MANUAL - Z RAIL ALUMINUM AND STEEL OVERHEAD RAIL SYSTEM PRODUCT		

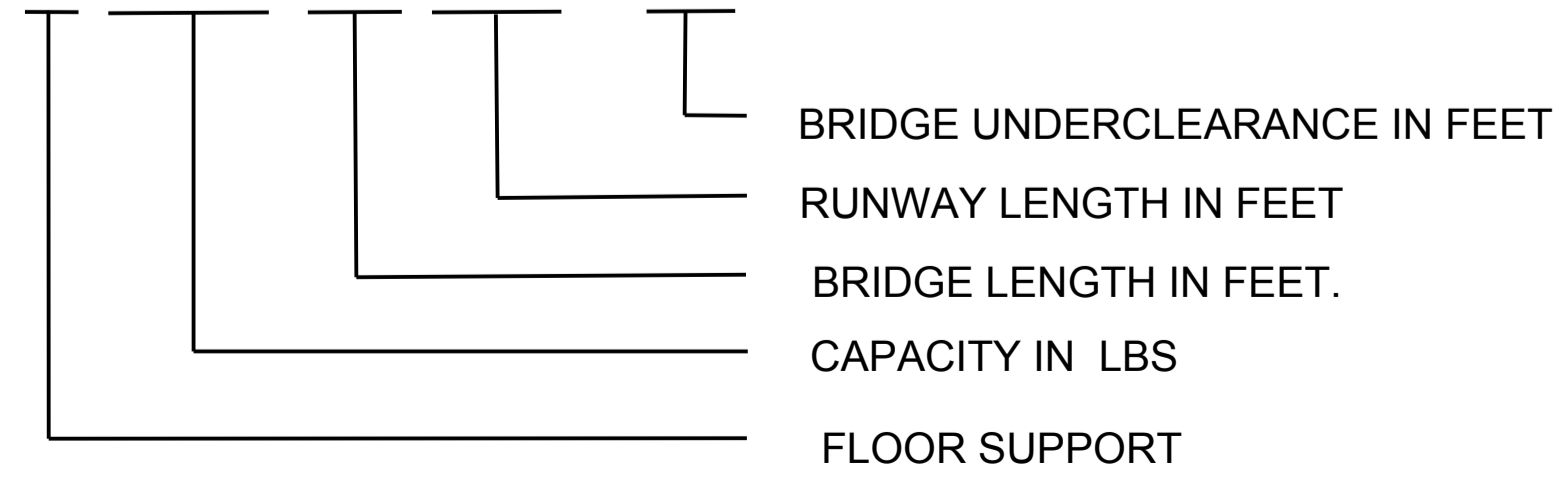
* DETAIL IS GIVEN IN SHEET 2 & 3.

NOTES	
1	ALL DIMENSIONS ARE IN mm DRAWING TOLERANCE : UNLESS OTHERWISE SPECIFIED ±1.5mm
2	ACTUAL BEAM UNDERCLEARANCE MAY VARY DEPENDING ON RAIL TYPE, HANGERS AND ENDTRUCKS.
3	INGERSOLL RAND ASSUMES NO RESPONSIBILITY FOR THE CONDITIONS OF THE MOUNTING SURFACE. CONSULT A REGISTERED STRUCTURAL ENGINEER BEFORE INSTALLING THE RAIL SYSTEM.
4	ELEVATION DIMENSIONS ARE NOMINAL TAKEN FROM THE BOTTOM OF COLUMN BASEPLATE AND DO NOT ACCOUNT FOR GROUT SHIMS OR ANY OTHER TYPE OF LEVELLING METHOD.
5	FOR TOP STEEL DIMENSION SEE SHEET 2 & 3.
6	USE COLUMN WELDMENT BASE AS A GUIDE TO DRILL HOLES IN CONCRETE FLOOR FOR ANCHORING



BASE PLATE DETAILS		
COLUMN SIZE (Inch)	A1 (mm)	A2 (mm)
3 X 3	229	175
3.5 X 3.5	241	187
4 X 4	254	200
5 X 5	279	225

FREE STANDING WORKSTATION CRANES
MODEL DRIVER
E 0000 00 000 - 00



WARNING: THE EXPORT OR REEXPORT OF THIS DRAWING OR A PRODUCT PRODUCED BY THIS DRAWING IS SUBJECT TO U.S. EXPORT ADMINISTRATION REGULATIONS AND OTHER APPLICABLE GOVERNMENT RESTRICTIONS OR REGULATIONS.

PROPRIETARY NOTICE

THIS DRAWING CONTAINS CONFIDENTIAL AND TRADE SECRET INFORMATION, IS THE PROPERTY OF INGERSOLL-RAND CO., AND IS GIVEN TO THE RECEIVER IN CONFIDENCE. THE RECEIVER BY RECEIPTION AND RETENTION OF THE DRAWING ACCEPTS THE DRAWING IN CONFIDENCE AND AGREES THAT, EXCEPT AS AUTHORIZED IN WRITING BY INGERSOLL-RAND CO. IT WILL (1) NOT USE THE DRAWING OR ANY COPY THEREOF OR THE CONFIDENTIAL OR TRADE SECRET INFORMATION THEREIN; (2) NOT COPY THE DRAWING; (3) NOT DISCLOSE TO OTHERS EITHER THE DRAWING OR THE CONFIDENTIAL OR TRADE SECRET INFORMATION THEREIN; AND (4) UPON COMPLETION OF THE NEED TO RETAIN THE DRAWING, OR UPON DEMAND, RETURN THE DRAWING, ALL COPIES THEREOF, AND ALL MATERIAL COPIED THEREFROM.

DO NOT SCALE DRAWING
DRAWING CONFORMS TO ASME Y14.5M - 1994

CAD GENERATED DRAWING,
NO MANUAL REVISIONS ALLOWED

UNLESS OTHERWISE SPECIFIED:
- REMOVE ALL BURRS AND SHARP CORNERS
- WELD SYMBOLS TO BE IN ACCORDANCE WITH ANSI/AWS A2.4

COPYRIGHT © 2013
Ingersoll Rand
ALL RIGHTS RESERVED

THIRD ANGLE PROJECTION	
DRAWN	DATE
M.GUPTA	02-13-13
CHECKED	DATE
KDG	02-13-13
APPROVED	DATE
AKB	02-13-13

IR Ingersoll Rand

FREE STANDING WORKSTATION CRANE 8 COLUMN


SIZE (NO UNLESS OTHERWISE SPECIFIED)	DWG NO.	REV
A1	24305997	A
SCALE: 0.02	UNIT: MM	SHEET 1 OF 3

CAPACITY - 275 lbs

S No.	Kit No.	TOP OF STEEL mm(Feet)	COLUMN SECTION (Inch)	D mm (Feet)	E mm (Feet)	Column to beam connector kit
1	E027505050-10	3954(12.97)	3 X 3	5080 (16.67)	4470 (14.67)	24303950
2	E027505050-12	4563(14.97)	3 X 3	5080 (16.67)	4470 (14.67)	24303950
3	E027505050-14	5173(16.97)	3.5 X 3.5	5080 (16.67)	4470 (14.67)	24303950
4	E027505060-10	3954(12.97)	3 X 3	6096 (20)	5486 (18)	24303950
5	E027505060-12	4563(14.97)	3 X 3	6096 (20)	5486 (18)	24303950
6	E027505060-14	5173(16.97)	3.5 X 3.5	6096 (20)	5486 (18)	24303950
7	E027505070-10	3954(12.97)	3 X 3	7112 (23.33)	6502 (21.33)	24303950
8	E027505070-12	4563(14.97)	3 X 3	7112 (23.33)	6502 (21.33)	24303950
9	E027505070-14	5173(16.97)	3.5 X 3.5	7112 (23.33)	6502 (21.33)	24303950
10	E027508060-10	3954(12.97)	3 X 3	6096 (20)	5486 (18)	24303950
11	E027508060-12	4563(14.97)	3 X 3	6096 (20)	5486 (18)	24303950
12	E027508060-14	5173(16.97)	3.5 X 3.5	6096 (20)	5486 (18)	24303950
13	E027508070-10	3954(12.97)	3 X 3	7112 (23.33)	6502 (21.33)	24303950
14	E027508070-12	4563(14.97)	3 X 3	7112 (23.33)	6502 (21.33)	24303950
15	E027508070-14	5173(16.97)	3.5 X 3.5	7112 (23.33)	6502 (21.33)	24303950
16	E027508080-10	3954(12.97)	3 X 3	8128 (26.67)	7518 (24.67)	24303950
17	E027508080-12	4563(14.97)	3 X 3	8128 (26.67)	7518 (24.67)	24303950
18	E027508080-14	5173(16.97)	3.5 X 3.5	8128 (26.67)	7518 (24.67)	24303950
19	E027510070-10	3954(12.97)	3 X 3	7112 (23.33)	6502 (21.33)	24303950
20	E027510070-12	4563(14.97)	3 X 3	7112 (23.33)	6502 (21.33)	24303950
21	E027510070-14	5173(16.97)	3.5 X 3.5	7112 (23.33)	6502 (21.33)	24303950
22	E027510080-10	3954(12.97)	3 X 3	8128 (26.67)	7518 (24.67)	24303950
23	E027510080-12	4563(14.97)	3 X 3	8128 (26.67)	7518 (24.67)	24303950
24	E027510080-14	5173(16.97)	3.5 X 3.5	8128 (26.67)	7518 (24.67)	24303950
25	E027510090-10	3954(12.97)	3 X 3	9144 (30)	8534 (28)	24303950
26	E027510090-12	4563(14.97)	3 X 3	9144 (30)	8534 (28)	24303950
27	E027510090-14	5173(16.97)	3.5 X 3.5	9144 (30)	8534 (28)	24303950
28	E027515070-10	3954(12.97)	3 X 3	7112 (23.33)	6502 (21.33)	24303950
29	E027515070-12	4563(14.97)	3 X 3	7112 (23.33)	6502 (21.33)	24303950
30	E027515070-14	5173(16.97)	3.5 X 3.5	7112 (23.33)	6502 (21.33)	24303950
31	E027515080-10	3954(12.97)	3 X 3	8128 (26.67)	7518 (24.67)	24303950
32	E027515080-12	4563(14.97)	3 X 3	8128 (26.67)	7518 (24.67)	24303950
33	E027515080-14	5173(16.97)	3.5 X 3.5	8128 (26.67)	7518 (24.67)	24303950
34	E027515090-10	3954(12.97)	3 X 3	9144 (30)	8534 (28)	24303950
35	E027515090-12	4563(14.97)	3 X 3	9144 (30)	8534 (28)	24303950
36	E027515090-14	5173(16.97)	3.5 X 3.5	9144 (30)	8534 (28)	24303950
37	E027521070-10	3954(12.97)	3 X 3	7112 (23.33)	6502 (21.33)	24303950
38	E027521070-12	4563(14.97)	3 X 3	7112 (23.33)	6502 (21.33)	24303950
39	E027521070-14	5173(16.97)	3.5 X 3.5	7112 (23.33)	6502 (21.33)	24303950
40	E027521080-10	3954(12.97)	3 X 3	8128 (26.67)	7518 (24.67)	24303950
41	E027521080-12	4563(14.97)	3 X 3	8128 (26.67)	7518 (24.67)	24303950
42	E027521080-14	5173(16.97)	3.5 X 3.5	8128 (26.67)	7518 (24.67)	24303950
43	E027521090-10	3954(12.97)	3 X 3	9144 (30)	8534 (28)	24303950
44	E027521090-12	4563(14.97)	3 X 3	9144 (30)	8534 (28)	24303950
45	E027521090-14	5173(16.97)	3.5 X 3.5	9144 (30)	8534 (28)	24303950
46	E027530070-10	3954(12.97)	3 X 3	7112 (23.33)	6502 (21.33)	24303950
47	E027530070-12	4563(14.97)	3 X 3	7112 (23.33)	6502 (21.33)	24303950
48	E027530070-14	5173(16.97)	3.5 X 3.5	7112 (23.33)	6502 (21.33)	24303950
49	E027530080-10	3954(12.97)	3 X 3	8128 (26.67)	7518 (24.67)	24303950
50	E027530080-12	4563(14.97)	3 X 3	8128 (26.67)	7518 (24.67)	24303950
51	E027530080-14	5173(16.97)	3.5 X 3.5	8128 (26.67)	7518 (24.67)	24303950
52	E027530090-10	3954(12.97)	3 X 3	9144 (30)	8534 (28)	24303950
53	E027530090-12	4563(14.97)	3 X 3	9144 (30)	8534 (28)	24303950
54	E027530090-14	5173(16.97)	3.5 X 3.5	9144 (30)	8534 (28)	24303950

CAPACITY - 550 lbs

S No.	Kit No.	TOP OF STEEL mm(Feet)	COLUMN SECTION (Inch)	D mm (Feet)	E mm (Feet)	Column to beam connector kit
1	E055005040-10	3954(12.97)	3 X 3	4064 (13.33)	3454 (11.33)	24303950
2	E055005040-12	4563(14.97)	3 X 3	4064 (13.33)	3454 (11.33)	24303950
3	E055005040-14	5173(16.97)	3.5 X 3.5	4064 (13.33)	3454 (11.33)	24303950
4	E055005050-10	3954(12.97)	3 X 3	5080 (16.67)	4470 (14.67)	24303950
5	E055005050-12	4563(14.97)	3 X 3	5080 (16.67)	4470 (14.67)	24303950
6	E055005050-14	5173(16.97)	3.5 X 3.5	5080 (16.67)	4470 (14.67)	24303950
7	E055008050-10	3954(12.97)	3 X 3	5080 (16.67)	4470 (14.67)	24303950
8	E055008050-12	4563(14.97)	3 X 3	5080 (16.67)	4470 (14.67)	24303950
9	E055008050-14	5173(16.97)	3.5 X 3.5	5080 (16.67)	4470 (14.67)	24303950
10	E055008060-10	3954(12.97)	3 X 3	6096 (20)	5486 (18)	24303950
11	E055008060-12	4563(14.97)	3 X 3	6096 (20)	5486 (18)	24303950
12	E055008060-14	5173(16.97)	3.5 X 3.5	6096 (20)	5486 (18)	24303950
13	E055010060-10	3954(12.97)	3 X 3	6096 (20)	5486 (18)	24303950
14	E055010060-12	4563(14.97)	3 X 3	6096 (20)	5486 (18)	24303950
15	E055010060-14	5173(16.97)	3.5 X 3.5	6096 (20)	5486 (18)	24303950
16	E055015070-10	3954(12.97)	3 X 3	7112 (23.33)	6502 (21.33)	24303950
17	E055015070-12	4563(14.97)	3 X 3	7112 (23.33)	6502 (21.33)	24303950
18	E055015070-14	5173(16.97)	3.5 X 3.5	7112 (23.33)	6502 (21.33)	24303950
19	E055015080-10	3954(12.97)	3 X 3	8128 (26.67)	7518 (24.67)	24303950
20	E055015080-12	4563(14.97)	3 X 3	8128 (26.67)	7518 (24.67)	24303950
21	E055015080-14	5173(16.97)	3.5 X 3.5	8128 (26.67)	7518 (24.67)	24303950
22	E055015090-10	3954(12.97)	3 X 3	9144 (30)	8534 (28)	24303950
23	E055015090-12	4563(14.97)	3 X 3	9144 (30)	8534 (28)	24303950
24	E055015090-14	5173(16.97)	3.5 X 3.5	9144 (30)	8534 (28)	24303950
25	E055021070-10	3954(12.97)	3 X 3	7112 (23.33)	6502 (21.33)	24303950
26	E055021070-12	4563(14.97)	3 X 3	7112 (23.33)	6502 (21.33)	24303950
27	E055021070-14	5173(16.97)	3.5 X 3.5	7112 (23.33)	6502 (21.33)	24303950
28	E055021080-10	3954(12.97)	3 X 3	8128 (26.67)	7518 (24.67)	24303950
29	E055021080-12	4563(14.97)	3 X 3	8128 (26.67)	7518 (24.67)	24303950
30	E055021080-14	5173(16.97)	3.5 X 3.5	8128 (26.67)	7518 (24.67)	24303950
31	E055021090-10	3954(12.97)	3 X 3	9144 (30)	8534 (28)	24303950
32	E055021090-12	4563(14.97)	3 X 3	9144 (30)	8534 (28)	24303950
33	E055021090-14	5173(16.97)	3.5 X 3.5	9144 (30)	8534 (28)	24303950
34	E055030070-10	3954(12.97)	3 X 3	7112 (23.33)	6502 (21.33)	47499650001
35	E055030070-12	4563(14.97)	3 X 3	7112 (23.33)	6502 (21.33)	47499650001
36	E055030070-14	5173(16.97)	3.5 X 3.5	7112 (23.33)	6502 (21.33)	47499650001
37	E055030080-10	3954(12.97)	3 X 3	8128 (26.67)	7518 (24.67)	47499650001
38	E055030080-12	4563(14.97)	3 X 3	8128 (26.67)	7518 (24.67)	47499650001
39	E055030080-14	5173(16.97)	3.5 X 3.5	8128 (26.67)	7518 (24.67)	47499650001
40	E055030090-10	3954(12.97)	3 X 3	9144 (30)	8534 (28)	47499650001
41	E055030090-12	4563(14.97)	3 X 3	9144 (30)	8534 (28)	47499650001
42	E055030090-14	5173(16.97)	3.5 X 3.5	9144 (30)	8534 (28)	47499650001


<small>PROPRIETARY NOTICE</small> THIS DRAWING CONTAINS CONFIDENTIAL AND TRADE SECRET INFORMATION IS THE PROPERTY OF INGERSOLL RAND CO. AND IS GIVEN TO THE RECEIVER IN CONFIDENCE. THE RECEIVER BY ACCEPTANCE AND RETENTION OF THE DRAWING ACCEPTS THE DRAWING IN CONFIDENCE AND AGREES THAT EXCEPT AS AUTHORIZED IN WRITING BY INGERSOLL RAND CO. IT WILL (1) NOT USE THE DRAWING OR ANY COPY THEREOF OR THE CONFIDENTIAL OR TRADE SECRET INFORMATION THEREIN; (2) NOT COPY THE DRAWING; (3) NOT DISCLOSE TO OTHERS EITHER THE DRAWING OR THE CONFIDENTIAL OR TRADE SECRET INFORMATION THEREIN; AND (4) UPON COMPLETION OF THE NEED TO RETAIN THE DRAWING OR UPON DEMAND, RETURN THE DRAWING, ALL COPIES THEREOF, AND ALL MATERIAL COPIED THEREFROM.		TITLE FREE STANDING WORKSTATION CRANE 8 COLUMN	
SIZE A1	DWG NO. 24305997	REV A	
SCALE 0.04	SHEET 2 OF 3		

CAPACITY - 1100 lbs

S No.	Kit No.	TOP OF STEEL mm(Feet)	COLUMN SECTION (Inch)	D mm (Feet)	E mm (Feet)	Column to beam connector kit
1	E110005040-10	3954(12.97)	4 x 4	4064 (13.33)	3454 (11.33)	24303950
2	E110005040-12	4563(14.97)	4 x 4	4064 (13.33)	3454 (11.33)	24303950
3	E110005040-14	5173(16.97)	5 x 5	4064 (13.33)	3454 (11.33)	24303950
4	E110008050-10	3954(12.97)	4 x 4	5080 (16.67)	4470 (14.67)	24303950
5	E110008050-12	4563(14.97)	4 x 4	5080 (16.67)	4470 (14.67)	24303950
6	E110008050-14	5173(16.97)	5 x 5	5080 (16.67)	4470 (14.67)	24303950
7	E110008060-10	3954(12.97)	4 x 4	6096 (20)	5486 (18)	24303950
8	E110008060-12	4563(14.97)	4 x 4	6096 (20)	5486 (18)	24303950
9	E110008060-14	5173(16.97)	5 x 5	6096 (20)	5486 (18)	24303950
10	E110010050-10	3954(12.97)	4 x 4	5080 (16.67)	4470 (14.67)	24303950
11	E110010050-12	4563(14.97)	4 x 4	5080 (16.67)	4470 (14.67)	24303950
12	E110010050-14	5173(16.97)	5 x 5	5080 (16.67)	4470 (14.67)	24303950
13	E110010060-10	3954(12.97)	4 x 4	6096 (20)	5486 (18)	24303950
14	E110010060-12	4563(14.97)	4 x 4	6096 (20)	5486 (18)	24303950
15	E110010060-14	5173(16.97)	5 x 5	6096 (20)	5486 (18)	24303950
16	E110015050-10	3954(12.97)	4 x 4	5080 (16.67)	4470 (14.67)	24303950
17	E110015050-12	4563(14.97)	4 x 4	5080 (16.67)	4470 (14.67)	24303950
18	E110015050-14	5173(16.97)	5 x 5	5080 (16.67)	4470 (14.67)	24303950
19	E110015060-10	3954(12.97)	4 x 4	6096 (20)	5486 (18)	24303950
20	E110015060-12	4563(14.97)	4 x 4	6096 (20)	5486 (18)	24303950
21	E110015060-14	5173(16.97)	5 x 5	6096 (20)	5486 (18)	24303950
22	E110021050-10	3954(12.97)	4 x 4	5080 (16.67)	4470 (14.67)	24303950
23	E110021050-12	4563(14.97)	4 x 4	5080 (16.67)	4470 (14.67)	24303950
24	E110021050-14	5173(16.97)	5 x 5	5080 (16.67)	4470 (14.67)	24303950
25	E110021060-10	3954(12.97)	4 x 4	6096 (20)	5486 (18)	24303950
26	E110021060-12	4563(14.97)	4 x 4	6096 (20)	5486 (18)	24303950
27	E110021060-14	5173(16.97)	5 x 5	6096 (20)	5486 (18)	24303950
28	E110030030-10	3954(12.97)	4 x 4	3048 (10)	2438 (8)	24303950
29	E110030030-12	4563(14.97)	4 x 4	3048 (10)	2438 (8)	24303950
30	E110030030-14	5173(16.97)	5 x 5	3048 (10)	2438 (8)	24303950

CAPACITY - 2000 lbs

S No.	Kit No.	TOP OF STEEL mm(Feet)	COLUMN SECTION (Inch)	D mm (Feet)	E mm (Feet)	Column to beam connector kit
1	E200005030-10	3954(12.97)	4 x 4	3048 (10)	2438 (8)	24303950
2	E200005030-12	4563(14.97)	5 x 5	3048 (10)	2438 (8)	24303950
3	E200005030-14	5173(16.97)	5 x 5	3048 (10)	2438 (8)	24303950
4	E200008040-10	3954(12.97)	4 x 4	4064 (13.33)	3454 (11.33)	24303950
5	E200008040-12	4563(14.97)	5 x 5	4064 (13.33)	3454 (11.33)	24303950
6	E200008040-14	5173(16.97)	5 x 5	4064 (13.33)	3454 (11.33)	24303950
7	E200010040-10	3954(12.97)	4 x 4	4064 (13.33)	3454 (11.33)	24303950
8	E200010040-12	4563(14.97)	5 x 5	4064 (13.33)	3454 (11.33)	24303950
9	E200010040-14	5173(16.97)	5 x 5	4064 (13.33)	3454 (11.33)	24303950
10	E200015040-10	3954(12.97)	4 x 4	4064 (13.33)	3454 (11.33)	24303950
11	E200015040-12	4563(14.97)	5 x 5	4064 (13.33)	3454 (11.33)	24303950
12	E200015040-14	5173(16.97)	5 x 5	4064 (13.33)	3454 (11.33)	24303950
13	E200021030-10	3954(12.97)	4 x 4	3048 (10)	2438 (8)	47499650001
14	E200021030-12	4563(14.97)	5 x 5	3048 (10)	2438 (8)	47499650001
15	E200021030-14	5173(16.97)	5 x 5	3048 (10)	2438 (8)	47499650001

<small>PROPRIETARY NOTICE</small>		<small>TITLE</small>	
<small>THIS DRAWING CONTAINS CONFIDENTIAL AND TRADE SECRET INFORMATION. IS THE PROPERTY OF INGERSOLL RAND CO. AND IS GIVEN TO THE RECEIVER IN CONFIDENCE. THE RECEIVER BY RECEIPT AND RETENTION OF THE DRAWING ACCEPTS THE DRAWING IN CONFIDENCE AND AGREES THAT, EXCEPT AS AUTHORIZED IN WRITING BY INGERSOLL RAND CO. IT WILL (1) NOT USE THE DRAWING OR ANY COPY THEREOF OR THE CONFIDENTIAL OR TRADE SECRET INFORMATION THEREIN; (2) NOT COPY THE DRAWING; (3) NOT DISCLOSE TO OTHERS EITHER THE DRAWING OR THE CONFIDENTIAL OR TRADE SECRET INFORMATION THEREIN; AND (4) UPON COMPLETION OF THE NEED TO RETAIN THE DRAWING OR UPON DEMAND, RETURN THE DRAWING, ALL COPIES THEREOF, AND ALL MATERIAL COPIED THEREFROM.</small>		FREE STANDING WORKSTATION CRANE 8 COLUMN	
<small>SIZE</small>	<small>DWG NO.</small>	<small>REV</small>	
A1	24305997	A	
<small>SCALE:</small>	<small>SHEET</small>	<small>3 OF 3</small>	
0.02			