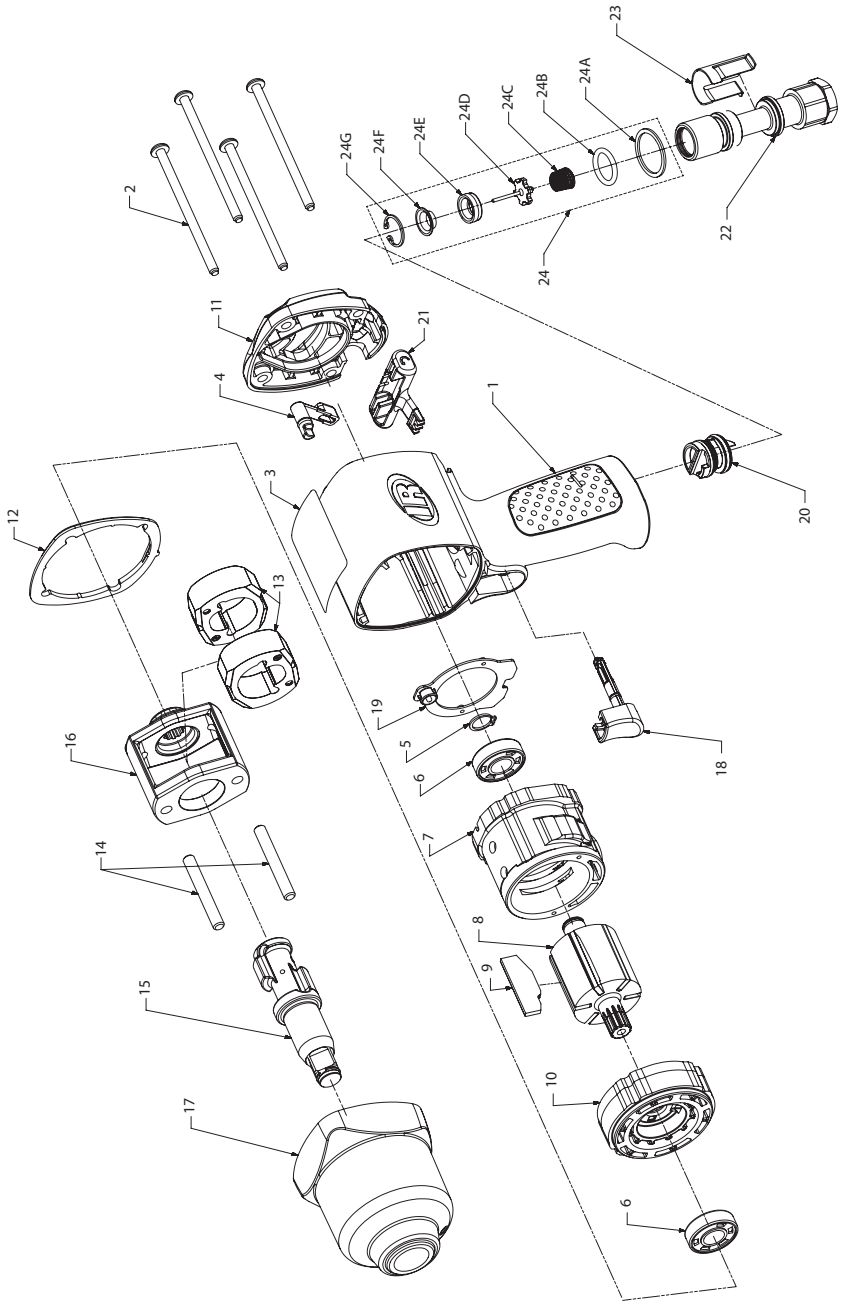


2130 Series Air Impact Wrench - Exploded View



(Dwg. TP2189AP)



16576373
Edition 3
January 2014

2130 Series Air Impact Wrench - Parts List

Item	Part Description	Part Number	Item	Part Description	Part Number
*	Housing Assy	2130-A40	19	Motor Gasket	2130-283
1	Housing	----	20	Reverse Valve Assy	2130-D329
3	Nameplate/Warning Label	----	21	Reverse Button	2130-75
2	Screw, HammerCase (4 required)	2130-638	*	Inlet Bushing Assy (Includes 22, 23 & 24)	2131-D565
3	Nameplate/Warning Label	2130-301	22	Inlet Bushing	2131-565
4	Power Regulator Assy	2130-D249	23	Inlet Clip	2131-57
5	Retaining Ring	2131-6	24	Inlet Parts Kit	2131-K303
6	Ball Bearing (2 required)	402-22	24A	Washer	----
7	Cylinder	2130-3	24B	O-Ring, Seal	----
8	Rotor	2131-53	24C	Spring	----
9	Vane Pack (set of 6)	2131-42A-6	24D	Valve	----
10	End Plate	2131-11	24E	Seat	----
11	Rear Cap	2130-12	24F	Support	----
12	Hammer Case Gasket	2130-36	24G	Retainer	----
*	Impact Mechanism Kit (2130)	2130-IMK1	*	Tune-Up Kit	2130-TK1
*	Impact Mechanism Kit (2130-2)	2130-IMK2	5	Retaining Ring	----
12	Hammer Case Gasket	----	6	Ball Bearing (2)	----
13	Hammer (2)	----	9	Vane Pack (set of 6)	----
14	Hammer Pin (2)	----	12	Hammer Case Gasket	----
15	Anvil Assembly	----	18	Trigger Assy	----
16	Hammer Frame	----	19	Motor Gasket	----
*	Kit Grease	----	20	Reverse Valve Assy	----
17	Hammer Case Assy	2130-D727A	24	Inlet Parts Kit	----
18	Trigger Assy	2130-D1093	*	Inlet Clip Removal Tool	2131-322

* Not illustrated.

Parts and Maintenance

When the life of the tool has expired, it is recommended that the tool be disassembled, degreased and parts be separated by material so that they can be recycled.

Tool repair and maintenance should only be carried out by an authorized Service Center.

Refer all communications to the nearest **Ingersoll Rand** Office or Distributor.

Related Documentation

For additional information refer to:

Air Impact Wrench Product Safety Information Manual 04580916.

Air Impact Wrench Product Information Manual 04580692.

Manuals can be downloaded from ingersollrandproducts.com.