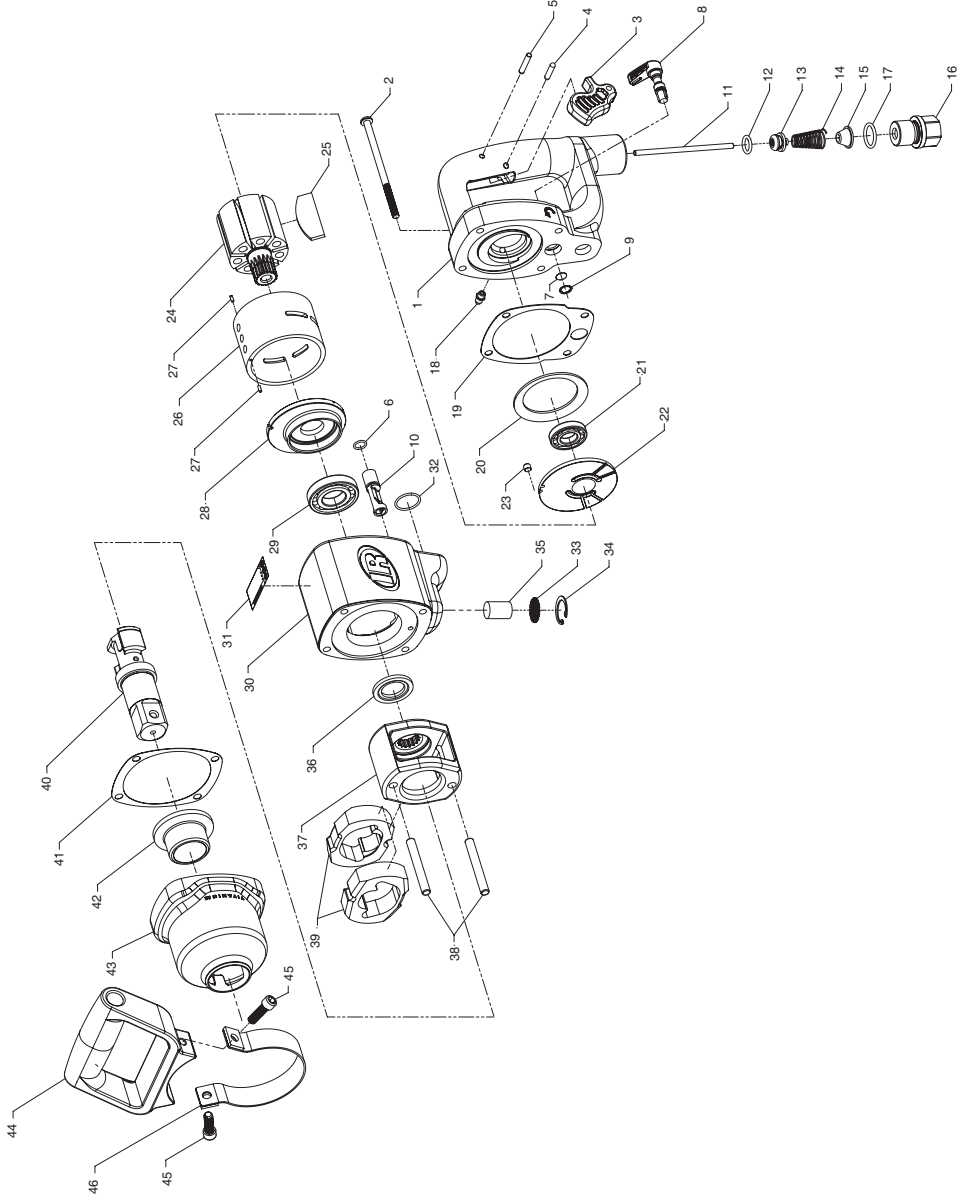


2925B2Ti and 2925RB2Ti Air Impact Wrench - Exploded View



(Dwg. TPA1735-2)

2925B2Ti and 2925RB2Ti Air Impact Wrench - Parts List

Item	Part Description	Part Number	Item	Part Description	Part Number	
1	Handle	2925B-92	26	Cylinder		
2	Handle Bolt (4)	2080-638			for 2925B2Ti	2925-3
*	Trigger Assembly	2925B-A93			for 2925RB2Ti	2925RB-3
3	Trigger	2925B-93	27	Cylinder Dowel (2)		
4	Trigger Pin	F02-15			for 2925B2Ti	JC3350-538
5	Trigger Pin	280-265			for 2925RB2Ti	JC3350-538
*	Reverse Valve Assembly	2190-A329	28	Front End Plate	2925-11	
6	O-Ring	23446	29	Front Rotor Bearing	834-24	
7	Reverse Lever Spring	2080-278	30	Motor Housing	2925B-A40	
8	Reverse Lever	2080-658	31	Warning Label	WARNING-2-99	
9	Snap Ring	2161-28	32	O-Ring	C321-606	
10	Reverse Valve	2161-329	33	Exhaust Cover	2080-123	
11	Trigger Plunger	2925B-94	34	Snap Ring	3CS5492-28	
12	Throttle Valve Seat	2934-159	35	Muffler	2080-310	
13	Throttle Valve	2934-50	36	Hammer Frame Washer	2161-706	
14	Throttle Valve Spring	834-51	37	Hammer Frame	2925-703	
15	Inlet Screen	834-61	38	Hammer Pin (2)	2910-704	
*	Inlet Bushing Assembly	2161-A465A	39	Hammer (2)	2925-724	
16	Inlet Bushing	2161-465A	40	Anvil	2910-826	
17	Seal	R4-210	41	Hammer Case Gasket	2161-36	
18	Grease Fitting	R1-188	*	Hammer Case Assembly	2190Ti-D727	
19	Handle Gasket	2161-739	42	Hammer Case Bushing	2161-641	
20	Motor Clamp Washer	2161-207	43	Hammer Case	2190Ti-727	
21	Rear Rotor Bearing	4E-510	*	Auxiliary Handle Assembly	2080-A48	
22	Rear End Plate	2925-12	44	Auxiliary Handle	2080-48	
23	End Plate Dowel	2920-74	45	Bolt (2)	34U-103	
24	Rotor	2925-53	46	Strap	2080-364	
25	Vane Packet (set of 7 Vanes)	2925-42-7	*	Tune-up Kit (includes parts 6, 12, 13, 14, 15, 17, 19, 21, 25, 29, 32, 35 & 41)	2925B-TK2	
*	Cylinder Assembly					
	for 2925B2Ti	2925-A3				
	for 2925RB2Ti	2925RB-A3				

* Not illustrated.

Parts and Maintenance

When the life of the tool has expired, it is recommended that the tool be disassembled, degreased and parts be separated by material so that they can be recycled.

Tool repair and maintenance should only be carried out by an authorized Service Center.

Refer all communications to the nearest **Ingersoll Rand** Office or Distributor.

Related Documentation

For additional information refer to:

Safety Information Manual Form 04580916.

Product Information Manual Form 16573206.

Maintenance Information Manual Form 04584355.

Manuals can be downloaded from ingersollrandproducts.com