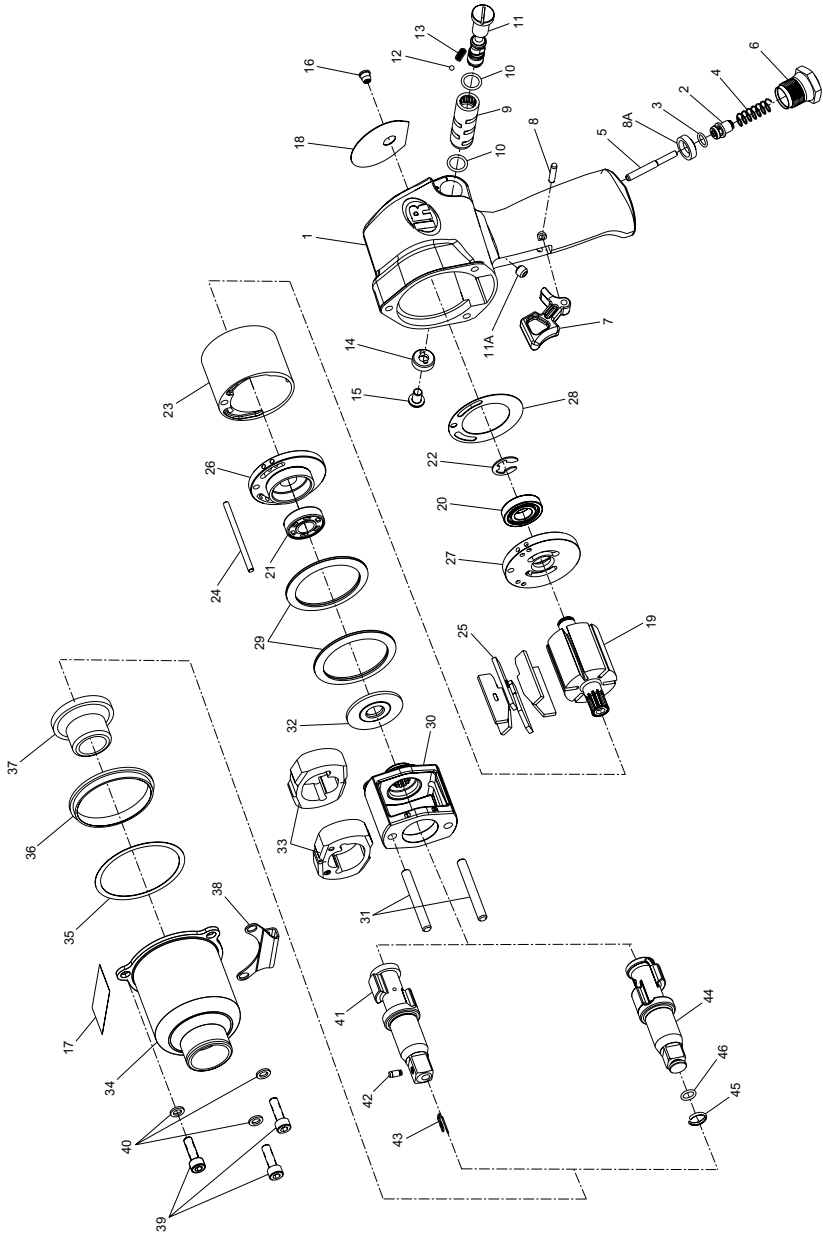


2707P1 Air Impact Wrench - Exploded View



(Dwg. TP1943)



2707P1 Air Impact Wrench - Parts List

Item	Part Description	Part Number	Item	Part Description	Part Number
1	Motor Housing Assembly	244A-A40	♦28	End Plate Gasket	PF800-283
2	Throttle Valve Assembly	404-50A	29	Motor Clamp Washer (2)	227-207
♦3	Throttle Valve Face	405-159	♦30	Hammer Frame Assembly	2131-A703
♦4	Throttle Valve Spring	R1A-51	31	Hammer Pin (2)	231-704
5	Throttle Valve Stem	402-302	32	Hammer Frame Rear Washer	231-706
6	Air Strainer Assembly	402-565	♦33	Hammer (2)	231XP-724
7	Trigger	705-93	34	Hammer Case Assembly	131-A727-70
8	Trigger Pin	533-656	♦35	Hammer Case Gasket	230-36
8A	Throttle Valve Seat	402-303	36	Hammer Case Pilot	405-800
9	Reverse Valve Bushing	131-A330	37	Hammer Case Bushing	705-941
♦10	Reverse Valve Bushing Seal	PS3-67	38	Exhaust Deflector	244LG-23
11	Reverse Valve	231-329A	39	Hammer Case Cap Screw (3)	131-638
11A	Plug	502-95	40	Hammer Case Lockwasher (3)	131-637
♦12	Reverse Valve Detent Ball	AV1-255	♦41	Anvil Assembly (1/2 Sq. Drive)	231B-726
♦13	Reverse Valve Detent Spring	131-664		With Pin Type Socket Retainer (Standard)	
14	Reverse Valve Knob	131-666	♦42	Socket Retaining Plunger	804-716
15	Reverse Valve Knob Screw	231-665	♦43	Retaining Plunger Spring	5UHD-718
16	Grease Fitting	131-188	44	Anvil Assembly (1/2 Sq. Drive)	231B-626
17	Housing Label	WARNING-2-99		With Ring Type Socket Retainer	
18	Nameplate	2707P1-301		<i>(This item can be ordered separately)</i>	
♦19	Rotor	244-53	45	Ring Type Socket Retainer	231-425A
♦20	Rear Rotor Bearing	402-22	46	Retainer O-Ring	RIA-159
♦21	Front Rotor Bearing	4U-97	*	Grease Gun	R000A2-228
♦22	Rear Rotor Bearing Retainer	131-118	*	Horizontal Hanger	2706-366
♦23	Cylinder	904-3	*	Tune-Up Kit (includes illustrated parts 3, 4, 10, 12, 13, 20, 21, 22, 25, 28, 35, 42 and 43)	2707-TK2
24	Cylinder Dowel	230-98			
♦25	Vane Packet (set of 6 Vanes)	2906P-42-6			
♦26	Front End Plate	131-11			
♦27	Rear End Plate	131-12			

- * Indicates not illustrated.
- ♦ Indicates common-wear parts. Maintain stock to reduce downtime.
- ◆ Indicates Tune-up Kit part.

Parts and Maintenance

When tool life has expired, it is recommended that the tool be disassembled, degreased and parts separated by material for proper recycling.

Tool repair and maintenance should only be carried out by an authorized Service Center.

Refer all communications to the nearest **Ingersoll Rand** office or distributor.

Related Documentation

Manuals can be downloaded from ingersollrandproducts.com

For additional information, refer to:

Product Safety Information Manual 04580916.

Product Information Manual 04578183.